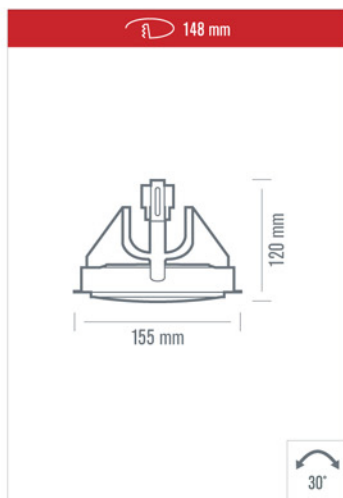




> EO 2149-E



> Couleurs / Colours

WH GR BK

> Ballasts / Gears

KVG EVG

> Faisceaux / Beams



> Normes / Standards



REFERENCE ITEM	LAMPE LAMP	CULOT LAMPHOLDER	PUISSANCE POWER
EO 2149-E-135	CDM-T	G12	1x35W
EO 2149-E-170	CDM-T	G12	1x70W

TRATO

Lighting