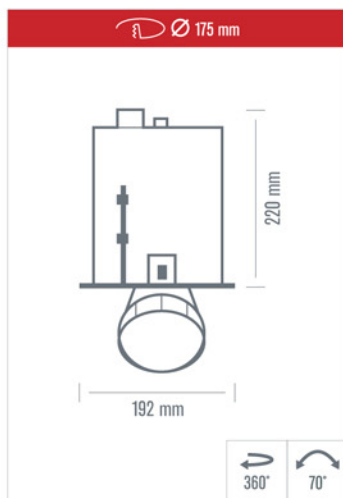




## > EO 2150-A



### > Couleurs / Colours

WH GR BK

### > Ballasts / Gears

KVG EVG

### > Faisceaux / Beams

30° 75°

### > Normes / Standards

IP20 960°

REFERENCE ITEM	LAMPE LAMP	CULOT LAMPHOLDER	PUISSANCE POWER
EO 2150-A-135	CDM-T	G12	1x35W
EO 2150-A-170	CDM-T	G12	1x70W
EO 2150-A-1150	CDM-T	G12	1x150W

# TRATO

Lighting