

AR 2256 LED



Colour(s)



HIGH BAY ■ LED

- High bay for LED SPOT module, maximum 3 949 lumens
- CRI of 80 or 90
- MacAdam Ellipse: 3 SDCM
- Available in 2 500 K, 3 000 K and 4 000 K
- 50 000 hours lamp life (L80B10)
- Luminous efficiency of system up to 145,7 lm/W
- Grooved and clear diffuser made of polycarbonate (DSC) or made of aluminium (ALU)
- Housing made of perforated painted steel
- Static heat sink
- **Weight:** approx. 4 kg
- **Included:** Suspension kit (KS)
- **Driver(s):** Fixed, Dimmable driver DALI (CDIMMDALI)
- **Option(s):** Fast connector (CORD)

Driver(s)



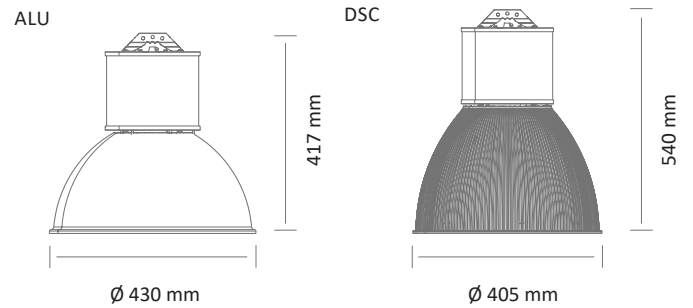
Standards

Class I | IP 20 | 650°

Beam(s)



Dimensions



ITEM	SECTION	POWER	CONSUMPTION	LUMINOUS FLUX	SYSTEM EFFICIENCY	COLOUR TEMPERATURE	CRI	EFFICIENCY ENERGY CLASS
AR 2256 LED 2000-925	Bakery	23,7W	26,9W	2171 lumens	80,7 lm/W	2500 K	90	-
AR 2256 LED 2000-930	Butchery	23,7W	26,9W	2297 lumens	85,4 lm/W	3000 K	90	-
AR 2256 LED 3300-930		23,8W	27,1W	3281 lumens	121 lm/W	3000 K	90	E
AR 2256 LED 3400-940		23,8W	27,1W	3384 lumens	124,9 lm/W	4000 K	90	E
AR 2256 LED 3700-830		23,8W	27,1W	3684 lumens	135,9 lm/W	3000 K	80	D
AR 2256 LED 3900-840		23,8W	27,1W	3949 lumens	145,7 lm/W	4000 K	80	D

Diffuser(s)

