



An efficient lighting system combined to a precise light distribution.

Suits perfectly in sales areas to emphasize the goods, the range **LC 3887 LED** is also compatible with the industry and warehouse environments to bring safety and increase productivity. **LC 3887 LED** is a flexible lighting solution, with a very high efficiency and generating substantial energy savings.

LC 3887 LED



Colour(s)



Light distribution



SYM ASY DAS INT



CONTINUOUS ROWS ■ LED

- Suspended continuous row lighting for LINEAR LED module, maximum 22488 lumens
- Cri of 80
- MacAdam Ellipse : 3SDCM
- Available in 3 000 K and 4 000 K
- 50 000 hours of Lamp life (L80B20)
- Luminous efficiency of system up to 177,3 lm/W
- Available in single module, in continuous row or discontinuous row lighting
- Housing made of prelacquered steel
- Innovative high output optical system, made of grooved extruded polymethyl methacrylate (PMMA), with prisms
- Easier maintenance thanks to extractable optical system without tools
- The end caps of the optical system are made of injected polycarbonate
- Endcaps and suspension brackets are available in accessories
- Static heat sink with an aluminium profile
- Dust-proof optical compartment (IP 60)
- Sliding suspension brackets, distance between brackets maximum 3 500 mm
- Mechanical junction without tools
- **Weight:** approx. 4 kg (1750 mm), 9 kg (3500 mm)
- **Standards housing lengths:** 1 750 mm, 3 500 mm
- **Driver(s):** Fixed, Dimmable driver DALI (CDIMMDALI)
- **Option(s):** Lighting sensor and-or movement detection (CEL), Steel white louvre (GLB)

Driver(s)



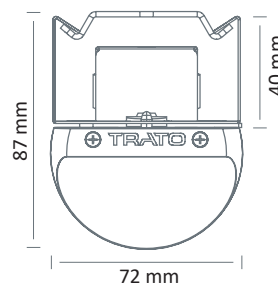
Efficiency energy class



Standards

Classe I | IP 20 (luminaire) / IP 60 (optical) | 650° I IK07

Dimensions



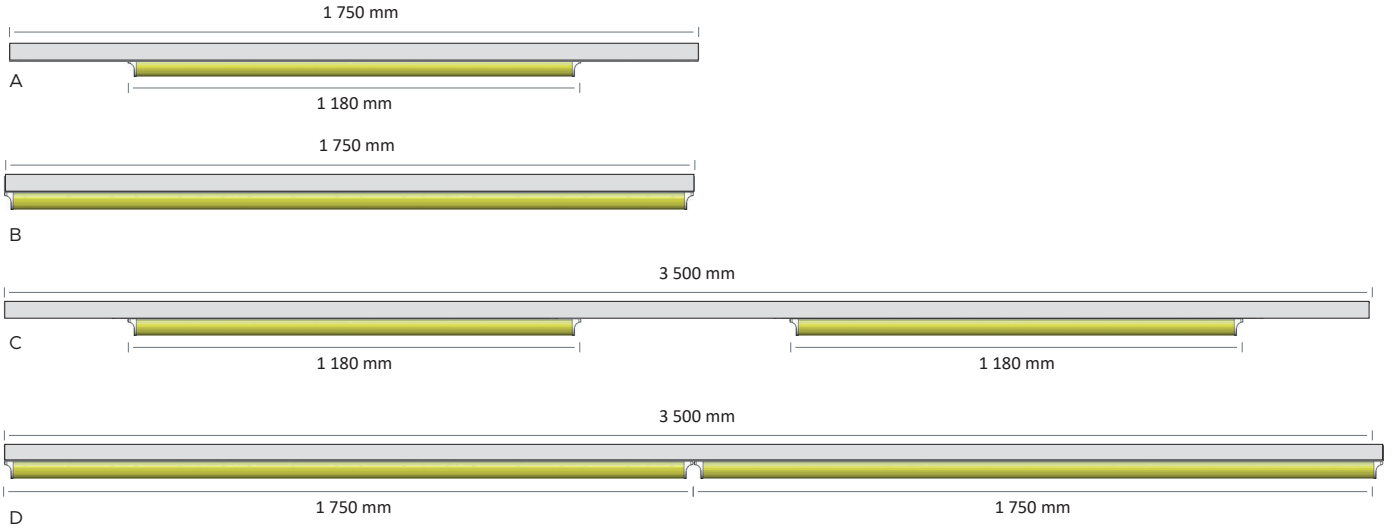
PERFORMANCES

ITEM	LENGTH (MM)	CONFIGURATIONS	NB DE MODULE(S)	CONSUMPTION	LUMINOUS FLUX	SYSTEM EFFICIENCY	COLOUR TEMPERATURE	CRI
LC 3887 LED M 4400-830	1 750*	A / G / I	2	28,4W	4441 lumens	156,1 lm/W	3000 K	80
LC 3887 LED M 4400-840	1 750*	A / G / I	2	28,4W	4670 lumens	164,2 lm/W	4000 K	80
LC 3887 LED MM 4400-830	3 500	C / H	4	56,8W	8882 lumens	156,1 lm/W	3000 K	80
LC 3887 LED MM 4400-840	3 500	C / H	4	56,8W	9340 lumens	164,2 lm/W	4000 K	80
LC 3887 LED M 6600-830	1 750*	B / E / J / K	3	40,3W	6661 lumens	165,3 lm/W	3000 K	80
LC 3887 LED M 6600-840	1 750*	B / E / J / K	3	40,3W	7004 lumens	173,8 lm/W	4000 K	80
LC 3887 LED MM 6600-830	3 500	D / F	6	80,6W	13322 lumens	165,3 lm/W	3000 K	80
LC 3887 LED MM 6600-840	3 500	D / F	6	80,6W	14008 lumens	173,8 lm/W	4000 K	80
LC 3887 LED M 7000-830	1 750*	A / G / I	2	44W	7128 lumens	162 lm/W	3000 K	80
LC 3887 LED M 7000-840	1 750*	A / G / I	2	44W	7495 lumens	170,3 lm/W	4000 K	80
LC 3887 LED MM 7000-830	3 500	C / H	4	88W	14256 lumens	162 lm/W	3000 K	80
LC 3887 LED MM 7000-840	3 500	C / H	4	88W	14990 lumens	170,3 lm/W	4000 K	80
LC 3887 LED M 8000-830	1 750*	A / G / I	2	51,8W	8251 lumens	159,3 lm/W	3000 K	80
LC 3887 LED M 8000-840	1 750*	A / G / I	2	47,9W	8080 lumens	168,7 lm/W	4000 K	80
LC 3887 LED MM 8000-830	3 500	C / H	4	103,6W	16502 lumens	159,3 lm/W	3000 K	80
LC 3887 LED MM 8000-840	3 500	C / H	4	95,8W	16160 lumens	168,7 lm/W	4000 K	80
LC 3887 LED M 8500-830	1 750*	B / E / J / K	3	49,5W	8347 lumens	168,6 lm/W	3000 K	80
LC 3887 LED M 8500-840	1 750*	B / E / J / K	3	49,5W	8777 lumens	177,3 lm/W	4000 K	80
LC 3887 LED MM 8500-830	3 500	D / F	6	99W	16694 lumens	168,6 lm/W	3000 K	80
LC 3887 LED MM 8500-840	3 500	D / F	6	99W	17554 lumens	177,3 lm/W	4000 K	80
LC 3887 LED M 10500-830	1 750*	B / E / J / K	3	64,6W	10692 lumens	165,5 lm/W	3000 K	80
LC 3887 LED M 10500-840	1 750*	B / E / J / K	3	64,6W	11244 lumens	174 lm/W	4000 K	80
LC 3887 LED MM 10500-830	3 500	D / F	6	129,2W	21384 lumens	165,5 lm/W	3000 K	80
LC 3887 LED MM 10500-840	3 500	D / F	6	129,2W	22488 lumens	174 lm/W	4000 K	80

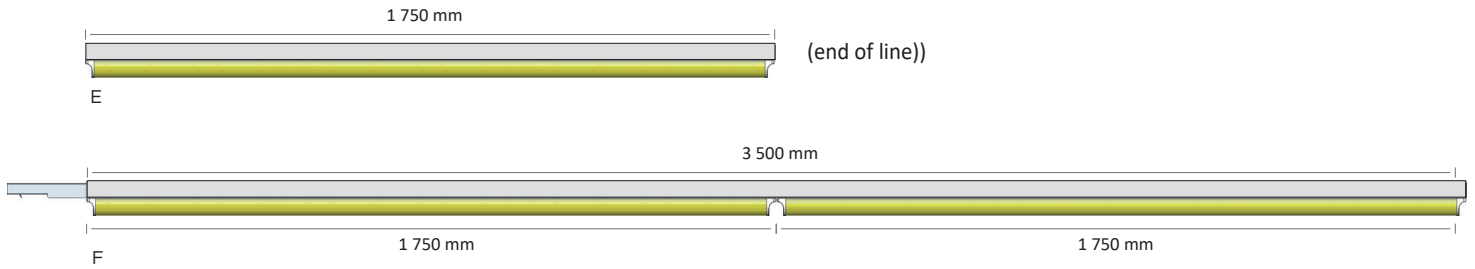
*I and K version in 3500 mm

■ CONFIGURATIONS

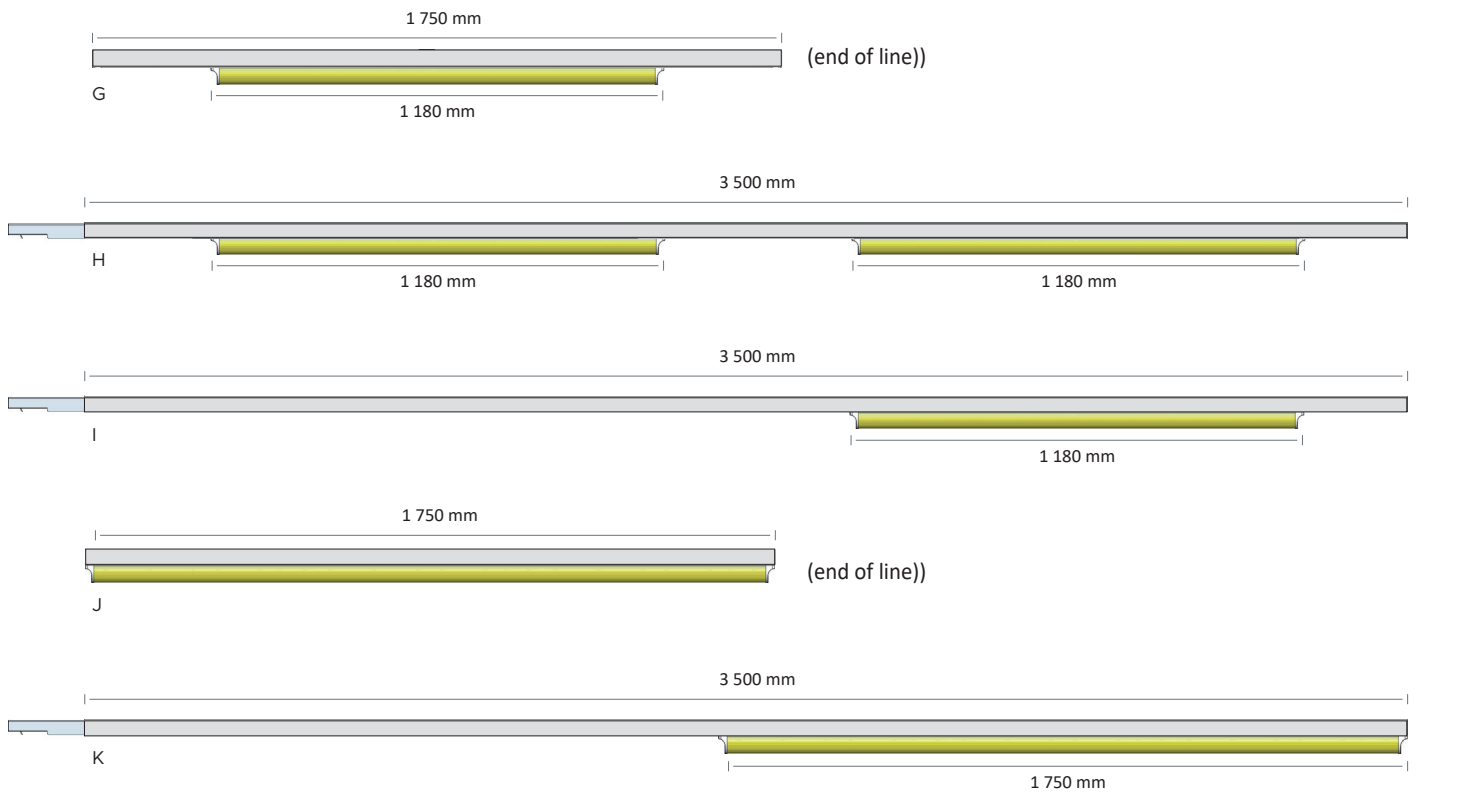
INDIVIDUAL MODULE



CONTINUOUS ROW

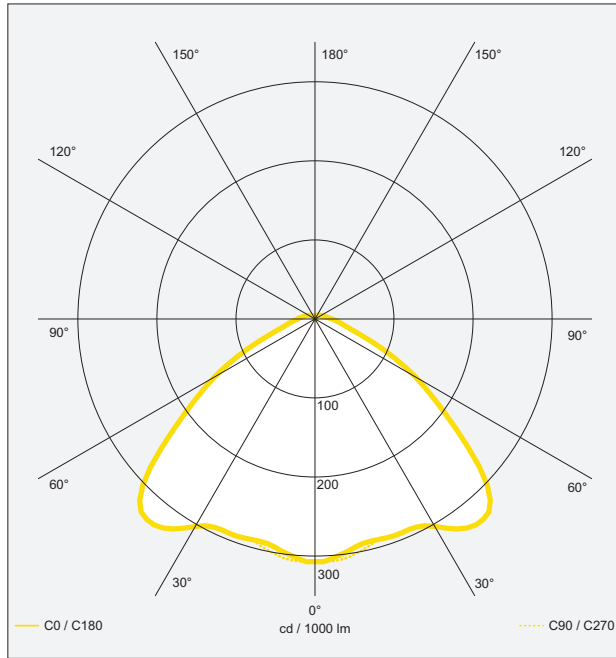


DISCONTINUOUS ROW

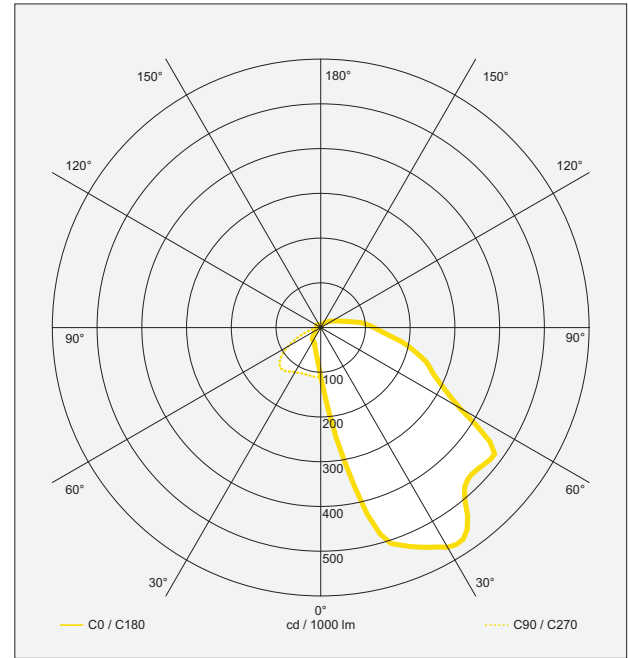


LIGHT DISTRIBUTION

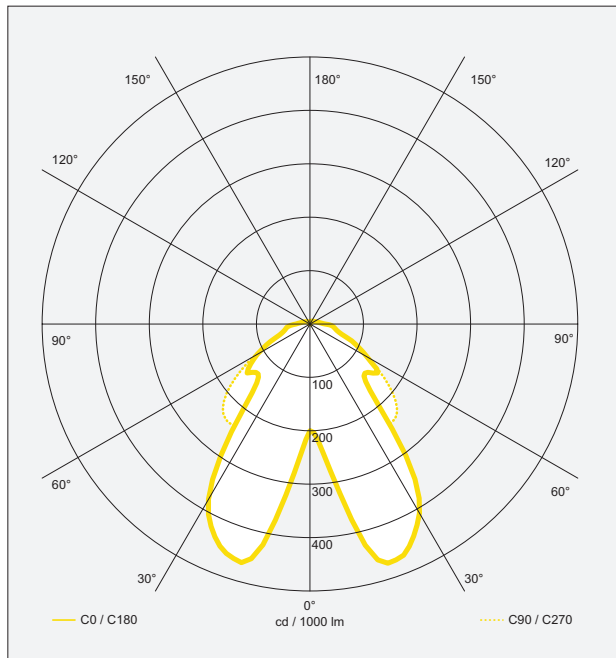
Symmetrical
LOR: 95 %



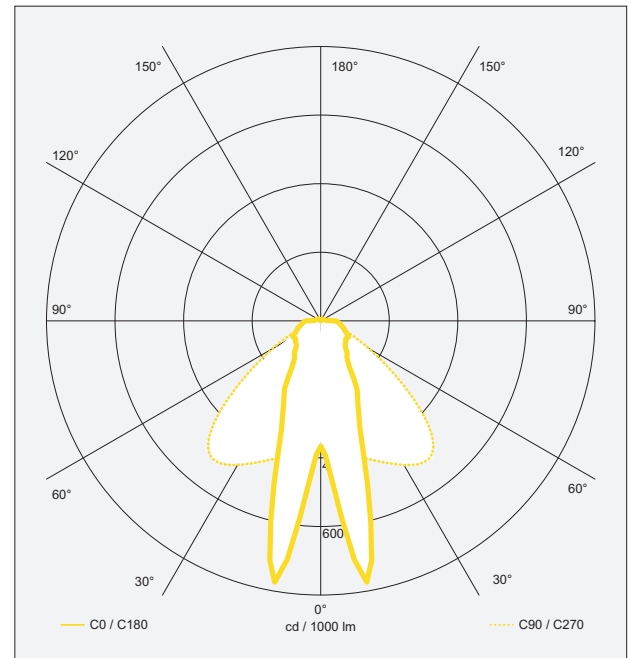
Asymmetrical
LOR: 91 %



Double asymmetrical
LOR: 95 %



Intensive
LOR: 91 %

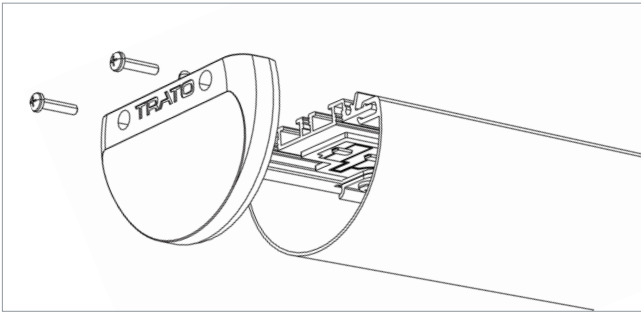
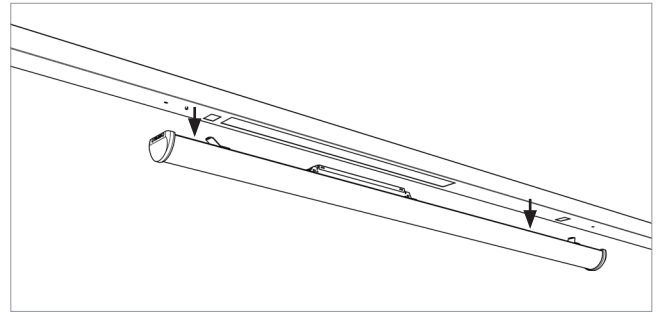


BENEFITS

1

POSSIBLE MAINTENANCE

Optical system removable with the driver for easy maintenance



PROTECTION OF OPTICAL SYSTEM

2

Optical system designed to be IP60 dust-proof for a sustainable efficacy

3

DURABILITY

Passive cooling made of aluminium profile for maximal longevity



Option(s)



CEL



GLB

accessories



Line endcap



Suspension bracket