

## GR 3530 LED



Colour(s)



## GORGES ■ LED

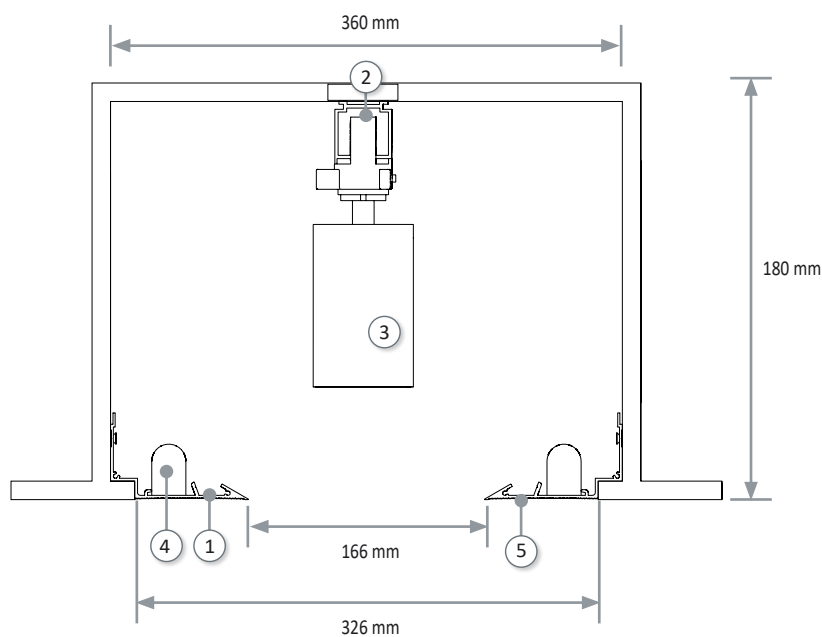
Luminous gorges architectural system, trimless, for orientable LED projectors. The system includes:

- Angles made of extruded aluminium profile (1m, 2m, 3m length)
- White or black 3-circuit tracks (1m, 2m, 3m, 4m length) and accessories
- Accent lighting projectors PR 5084-A LED
- Backlighting with batten LED luminaires RG 2509 (optional)
- **Accessorie(s):** mechanically-welded endcap, 90° angle

### Standards

Class I | IP 20 | 650°

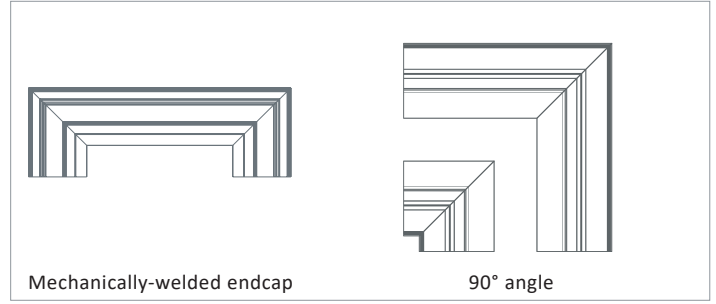
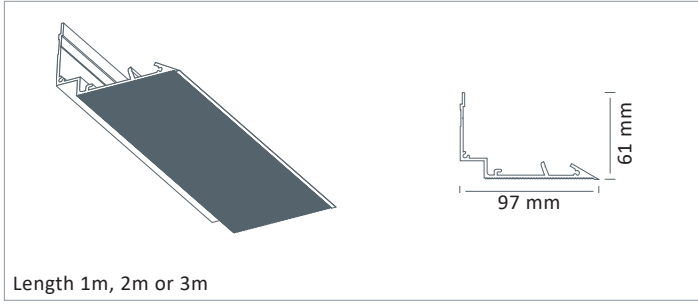
### Dimensions



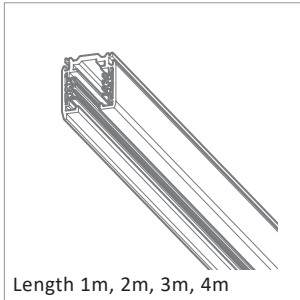
- ① Angle made of extruded aluminium profile
- ② 3-circuit track
- ③ PR 5084-A LED projector
- ④ Backlighting with batten LED luminaire RG 2509 (optional)
- ⑤ Finish coating

# GR 3530 LED

## ALUMINIUM PROFILE



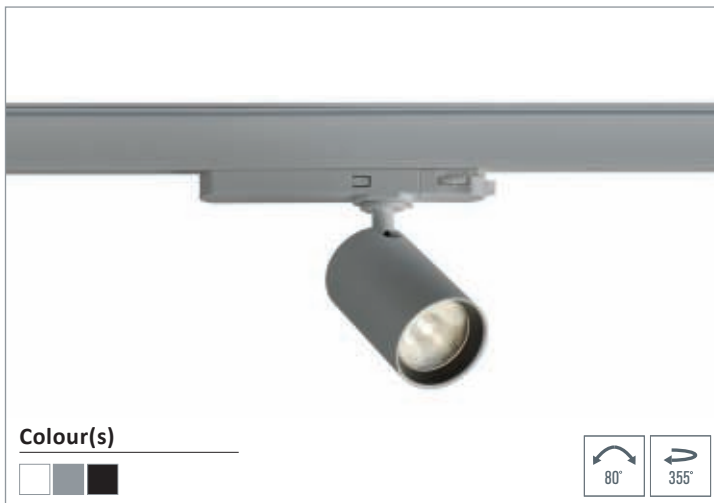
## 3 CIRCUIT TRACK



## ACCENT LIGHTING - PR 5084-A LED

- Orientable projector for LED SPOT module, maximum 1 498 lumens
- CRI of 95
- MacAdam Ellipse: 2 SDCM
- Available in 3 000 K, 3 500 K and 4 000 K
- 50 000 hours lamp life (L80B10)
- Luminous efficiency of system up to 95,3 lm/W
- 3-circuits track adaptor

- Housing and box made of painted molded plastic
- Static heat sink
- Optical protection clear glass
- **Weight:** approx. 0,5 kg
- **Driver(s):** Fixed (C Fixed), Dimmable driver DALI (CDIMMDALI)
- **Option(s):** Colour filters (FIL)



### Driver(s)



### Standards

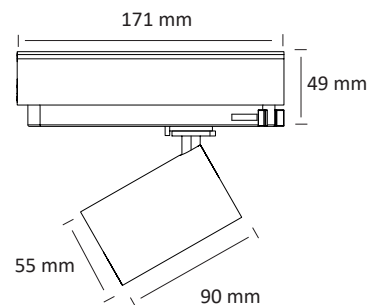
Class I | IP 20 | 650°

### Beam(s)



Table below

### Dimensions



## GR 3530 LED

ITEM	CONSUMPTION	LUMINOUS FLUX	SYSTEM EFFICIENCY	COLOUR TEMPERATURE	CRI	BEAM	DALI OPTION	EFFICIENCY ENERGY CLASS
PR 5084-A LED 600-930	9W	600 lumens	66,4 lm/W	3000 K	95	11°	NO	F
PR 5084-A LED 600-935	9W	600 lumens	66,4 lm/W	3500 K	95	11°	NO	F
PR 5084-A LED 650-940	9W	663 lumens	73,4 lm/W	4000 K	95	11°	NO	E
PR 5084-A LED 700-930	11,2W	717 lumens	63,7 lm/W	3000 K	95	11°	NO	F
PR 5084-A LED 700-935	11,2W	717 lumens	63,7 lm/W	3500 K	95	11°	NO	F
PR 5084-A LED 800-940	11,2W	793 lumens	70,5 lm/W	4000 K	95	11°	NO	E
PR 5084-A LED 900-930	15,9W	893 lumens	55,9 lm/W	3000 K	95	11°	YES	F
PR 5084-A LED 900-935	15,9W	893 lumens	55,9 lm/W	3500 K	95	11°	YES	F
PR 5084-A LED 1000-940	15,9W	987 lumens	61,8 lm/W	4000 K	95	11°	YES	E
PR 5084-A LED 800-930	8,9W	787 lumens	87,8 lm/W	3000 K	95	15°/25°/35°	NO	E
PR 5084-A LED 800-935	8,9W	828 lumens	92,4 lm/W	3500 K	95	15°/25°/35°	NO	D
PR 5084-A LED 850-940	8,9W	854 lumens	95,3 lm/W	4000 K	95	15°/25°/35°	NO	D
PR 5084-A LED 950-930	11W	965 lumens	87,7 lm/W	3000 K	95	15°/25°/35°	NO	E
PR 5084-A LED 1000-935	11W	1015 lumens	92,3 lm/W	3500 K	95	15°/25°/35°	NO	D
PR 5084-A LED 1050-940	11W	1047 lumens	95,2 lm/W	4000 K	95	15°/25°/35°	NO	D
PR 5084-A LED 1250-930	15,4W	1248 lumens	80,9 lm/W	3000 K	95	15°/25°/35°	YES	E
PR 5084-A LED 1300-935	15,4W	1312 lumens	85,1 lm/W	3500 K	95	15°/25°/35°	YES	D
PR 5084-A LED 1350-940	15,4W	1354 lumens	87,8 lm/W	4000 K	95	15°/25°/35°	YES	D
PR 5084-A LED 1400-930	17,9W	1381 lumens	76,9 lm/W	3000 K	95	15°/25°/35°	YES	E
PR 5084-A LED 1450-935	17,9W	1452 lumens	80,9 lm/W	3500 K	95	15°/25°/35°	YES	D
PR 5084-A LED 1500-940	17,9W	1498 lumens	83,4 lm/W	4000 K	95	15°/25°/35°	YES	D

# GR 3530 LED

## INDIRECT LIGHTING - RG 2509 LED



### Colour(s)



### Driver(s)



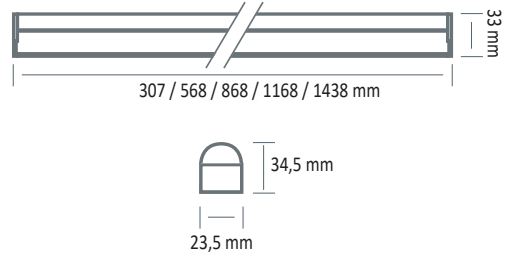
### Standards

Class I | IP 20 | 650°

### Beam(s)



### Dimensions



ITEM	LENGTH (MM)	MAX NUMBER OF BATTEN LUMINAIRES / LINE	POWER	LUMINOUS FLUX	COLOUR TEMPERATURE	CRI
RG 2509 LED-466-840	307	20	5W	466 lumens	4000 K	80
RG 2509 LED-895-840	568	15	9W	895 lumens	4000 K	80
RG 2509 LED-1262-840	868	12	12W	1262 lumens	4000 K	80
RG 2509 LED-1592-840	1168	10	15W	1592 lumens	4000 K	80
RG 2509 LED-1781-840	1438	8	18W	1781 lumens	4000 K	80
RG 2509 LED-425-830	307	20	5W	425 lumens	3000 K	80
RG 2509 LED-837-830	568	15	9W	837 lumens	3000 K	80
RG 2509 LED-1181-830	868	12	12W	1181 lumens	3000 K	80
RG 2509 LED-1491-830	1168	10	15W	1491 lumens	3000 K	80
RG 2509 LED-1734-830	1438	8	18W	1734 lumens	3000 K	80