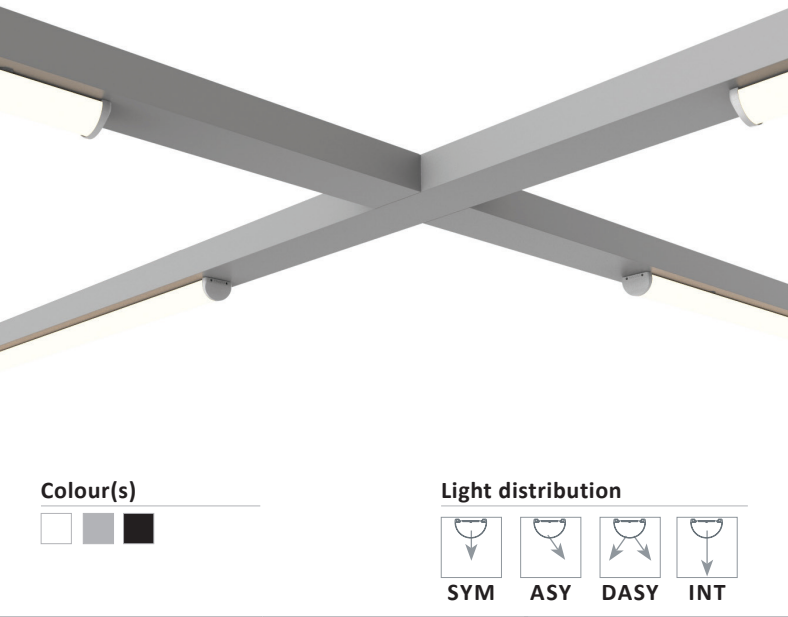


RS 3632 LED



Colour(s)



Light distribution

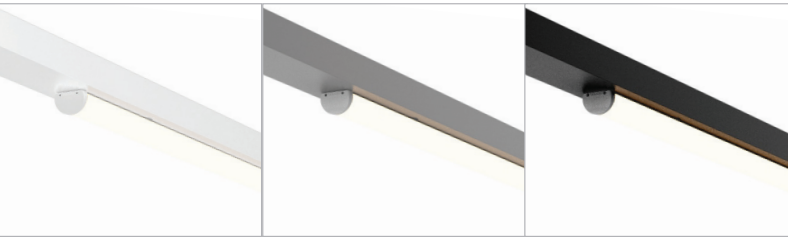


SYM

ASY

DASY

INT



GRIDDED SYSTEMS ■ LED

- System lighting for LINEAR LED module, maximum 16502 lumens
- MacAdam Ellipse: 3 SDCM
- Available in 3 000 K et 4 000 K
- 50 000 hours lamp life (L80B20)
- Luminous efficiency of system up to 177,3 lm/W
- Housing made of prelacquered steel
- High output of the optical, coextruded with prism, grooved, made of polymethyl methacrylate (PMMA)
- The end caps of the optical system are made of injected polycarbonate
- Endcap, screen suspension bracket and junction plate available in accessories
- Static heat sink with an aluminium profile
- Dust-proof optical compartment (IP 60)
- Easier maintenance thanks to extractable optical system without tools
- Sliding suspension bracket, interaxial maximum 3 000 mm
- Mechanical junction without tools
- **Weight:** approx. 3,46 kg for standard width
- **Standards housing lengths:** 2 880 mm (carried), 3 000 mm (carrier)
- **Driver(s):** C Fixed, 1-10 V Driver (1-10V), Dimmable driver DALI (CDIMMDALI)
- **Option(s):** Lighting sensor and-or movement detection (CEL), Carrying element for 3-circuit tracks (3A), Steel white louvre (GLB)

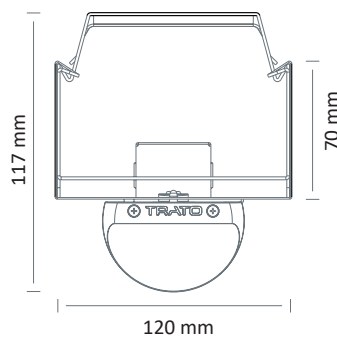
Driver(s)



Standards

Class I | IP 20 (luminaire) / IP 60 (optical) | 650°

Dimensions

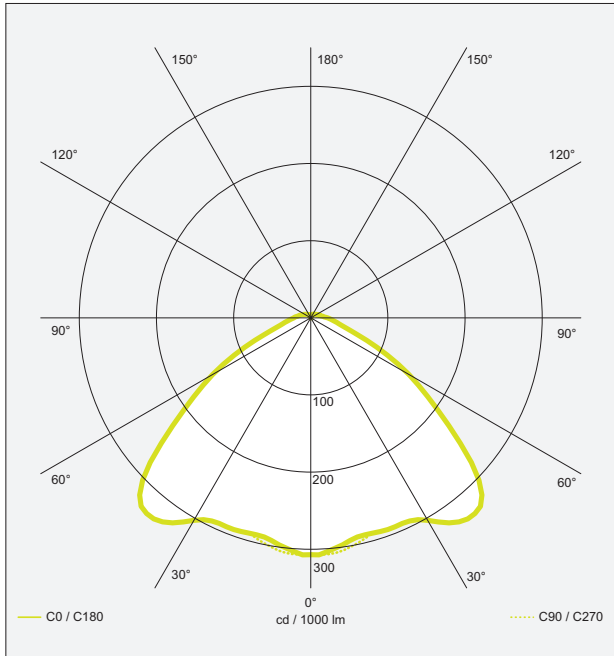


PERFORMANCES

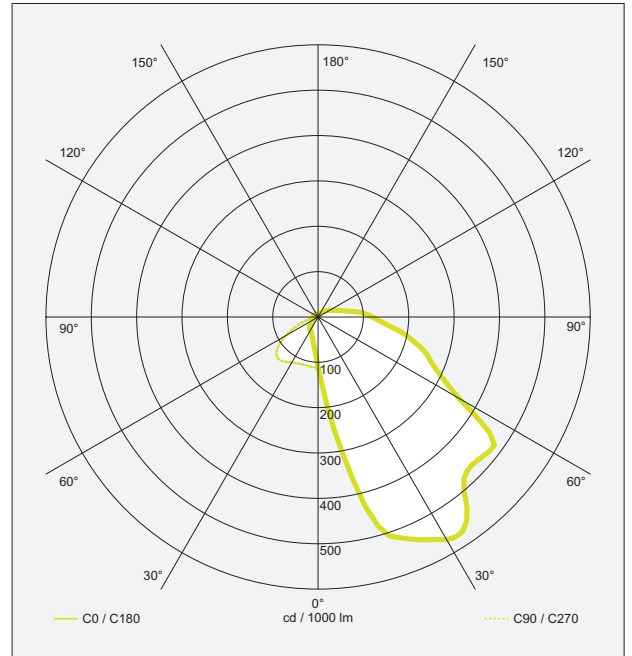
ITEM	NB OF MODULE(S)	CONSUMPTION	LUMINOUS FLUX	SYSTEM EFFICIENCY	COLOUR TEMPERATURE	CRI	EFFICIENCY ENERGY CLASS
RS 3632 LED M 4400-830	2	28,4W	4441 lumens	156,1 lm/W	3000 K	80	C
RS 3632 LED M 4400-840	2	28,4W	4670 lumens	164,2 lm/W	4000 K	80	C
RS 3632 LED MM 4400-830	4	56,8W	8882 lumens	156,7 lm/W	3000 K	80	C
RS 3632 LED MM 4400-840	4	56,8W	9340 lumens	164,2 lm/W	4000 K	80	C
RS 3632 LED M 6600-830	3	40,3W	6661 lumens	165,3 lm/W	3000 K	80	C
RS 3632 LED M 6600-840	3	40,3W	7004 lumens	173,8 lm/W	4000 K	80	C
RS 3632 LED M 7000-840	2	44W	7128 lumens	162 lm/W	3000 K	80	C
RS 3632 LED M 7000-840	2	44W	7495 lumens	170,3 lm/W	4000 K	80	C
RS 3632 LED MM 7000-830	4	88W	14256 lumens	162 lm/W	3000 K	80	C
RS 3632 LED MM 7000-840	4	88W	14990 lumens	170,3 lm/W	4000 K	80	C
RS 3632 LED M 8000-830	2	51,8W	8251 lumens	159,3 lm/W	3000 K	80	C
RS 3632 LED M 8000-840	2	47,9W	8080 lumens	168,7 lm/W	4000 K	80	C
RS 3632 LED MM 8000-830	4	103,6W	16502 lumens	159,3 lm/W	3000 K	80	C
RS 3632 LED MM 8000-840	4	95,8W	16160 lumens	168,7 lm/W	4000 K	80	C
RS 3632 LED M 8500-830	3	49,5W	8347 lumens	168,6 lm/W	3000 K	80	C
RS 3632 LED M 8500-840	3	49,5W	8777 lumens	177,3 lm/W	4000 K	80	C
RS 3632 LED M 10500-830	3	64,6W	10692 lumens	165,5 lm/W	3000 K	80	C
RS 3632 LED M 10500-840	3	64,6W	11244 lumens	174 lm/W	4000 K	80	C

RS 3632 LED - LIGHT DISTRIBUTION

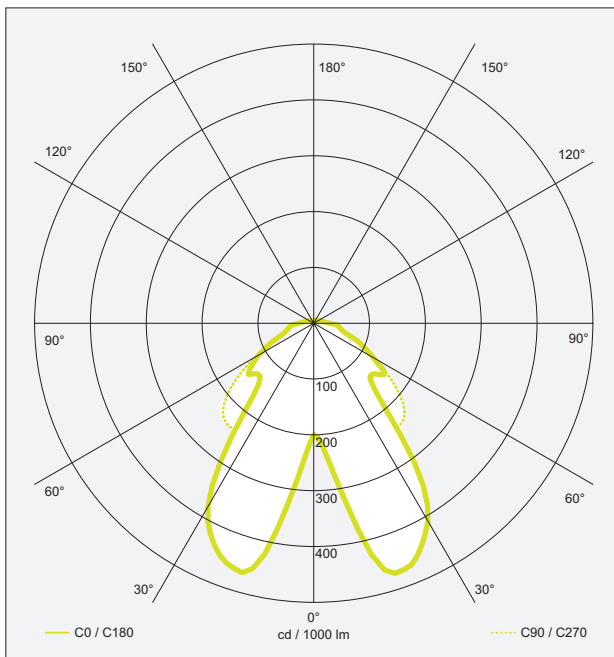
Symmetrical :
LOR: 95 %



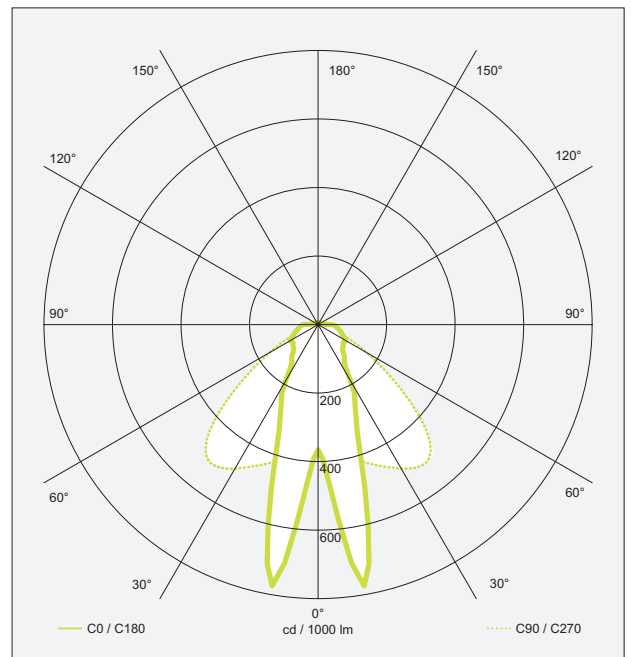
Asymmetrical :
LOR: 91 %



Double asymmetrical :
LOR: 95 %



Intensive :
LOR: 91 %

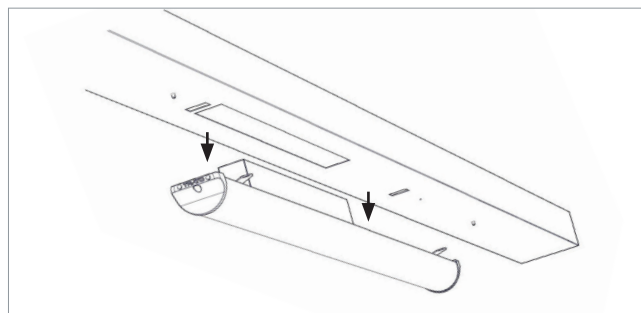


RS 3632 LED - BENEFITS

1

POSSIBLE MAINTENANCE

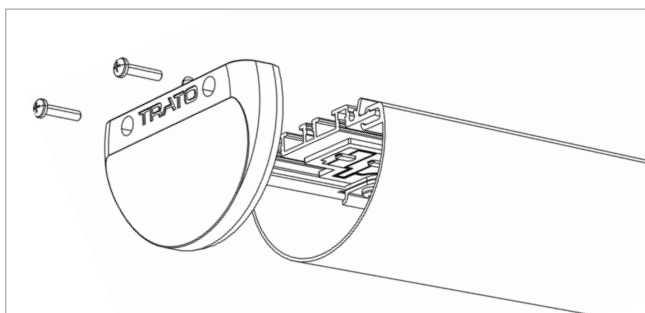
Optical system removable with the driver for easy maintenance



2

PROTECTION OF OPTICAL SYSTEM

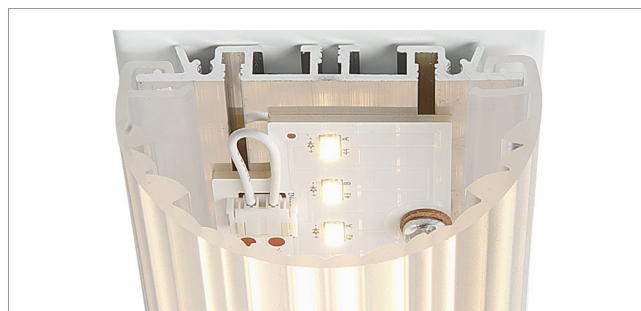
Optical system designed to be IP60 dust-proof for a sustainable efficacy



3

DURABILITY

Passive cooling made of aluminium profile for maximal longevity



Option(s)



cel



3A



GLB

Accessories



Line endcap



Suspension bracket

EXAMPLE OF CONFIGURATION

