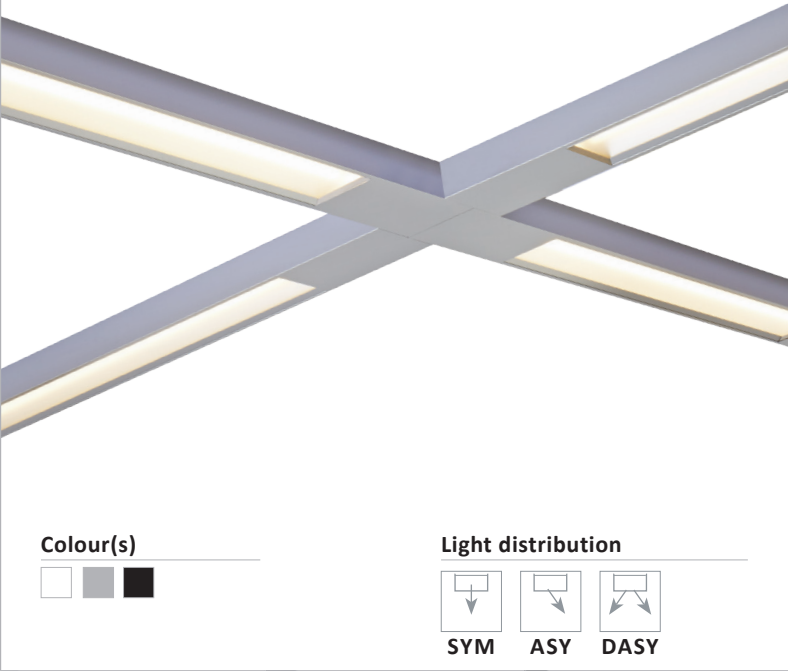


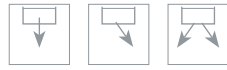
## RS 3936 LED



### Colour(s)



### Light distribution



SYM

ASY

DASY

## GRIDDED SYSTEMS ■ LED

- Lighting system for LINEAR LED module, maximum 16 800 lumens
- MacAdam Ellipse: 3 SDCM
- Available in 3 000 K et 4 000 K
- 50 000 hours lamp life (L80B20)
- Luminous efficiency of system up to 175,7 lm/W
- Housing made of prelacquered steel
- Optical made of polymethyl methacrylate (PMMA)
- The end caps of the optical system are made of injected polycarbonate
- Endcap and screen suspension bracket and junction plate available in accessories
- Static heat sink
- Sliding suspension bracket, interaxial maximum 2 000 mm
- **Weight:** approx. 8 kg for standard width
- **Standards housing lengths:** 1 815 mm, 2 000 mm
- **Driver(s):** C Fixed, Dimmable driver DALI (CDIMMDALI)
- **Option(s):** Lighting sensor and-or movement detection (CEL), Carrying element for 3-circuit tracks (3A)

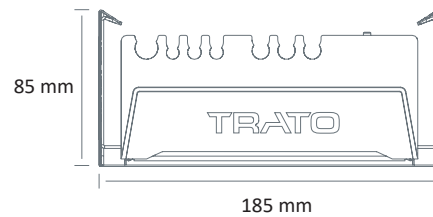
### Driver(s)



### Standards

Class I | IP 20 (luminaire) / IP 40 (optical) | 650°

### Dimensions

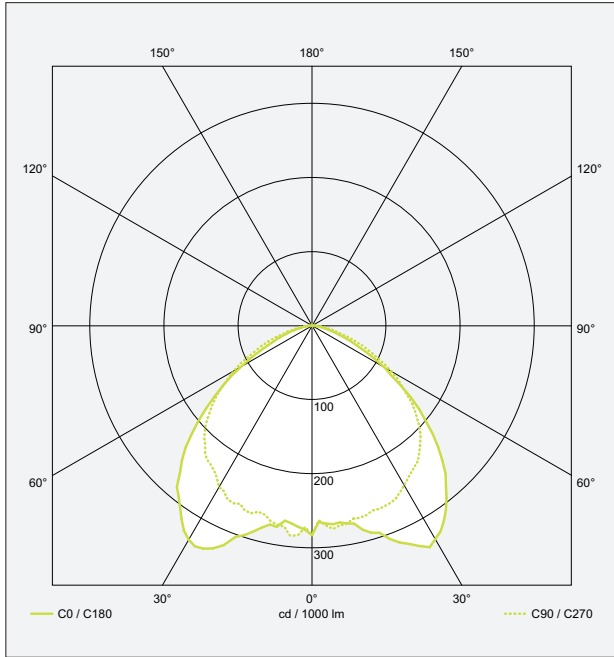


## PERFORMANCES

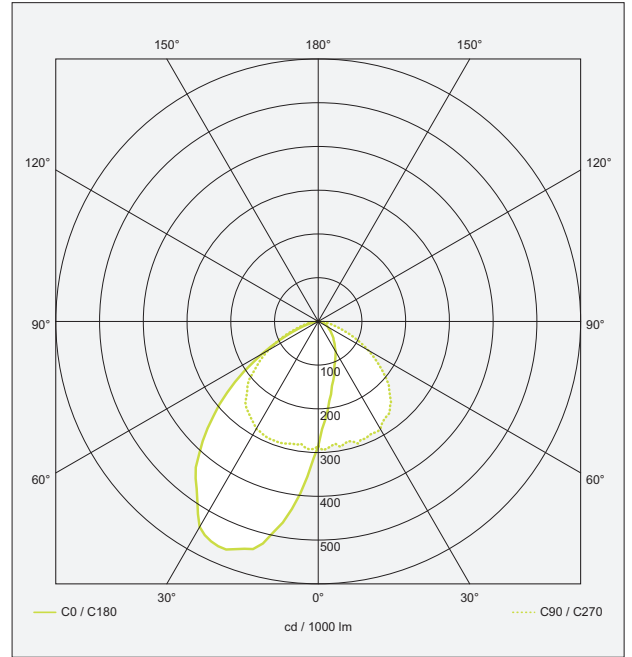
ITEM	LENGTH (MM)	TYPE	NB OF MODULE(S)	CONSUMPTION	LUMINOUS FLUX	SYSTEM EFFICIENCY	COLOUR TEMPERATURE	CRI	EFFICIENCY ENERGY CLASS
RS 3936 LED M 4600-830	1 750	A / I / C / J	2	30 W	4800 lumens	160 lm/W	3000 K	80	C
RS 3936 LED M 4600-840	1 750	A / I / C / J	2	30 W	5040 lumens	168 lm/W	4000 K	80	C
RS 3936 LED MM 4600-830	3 500	D / K / F / L	4	60 W	9600 lumens	160 lm/W	3000 K	80	C
RS 3936 LED MM 4600-840	3 500	D / K / F / L	4	60 W	10080 lumens	168 lm/W	4000 K	80	C
RS 3936 LED M 7000-830	1 750	A / I / C / J	2	41,3 W	6860 lumens	166,5 lm/W	3000 K	80	C
RS 3936 LED M 7000-840	1 750	A / I / C / J	2	41,3 W	7200 lumens	174,5 lm/W	4000 K	80	C
RS 3936 LED MM 7000-830	3 500	D / K / F / L	4	82,6 W	13720 lumens	166,5 lm/W	3000 K	80	C
RS 3936 LED MM 7000-840	3 500	D / K / F / L	4	82,6 W	14400 lumens	174,5 lm/W	4000 K	80	C
RS 3936 LED M 8000-830	1 750	A / I / C / J	2	48,6 W	8000 lumens	164,6 lm/W	3000 K	80	C
RS 3936 LED M 8000-840	1 750	A / I / C / J	2	48,6 W	8400 lumens	172,8 lm/W	4000 K	80	C
RS 3936 LED MM 8000-830	3 500	D / K / F / L	4	97,2 W	16000 lumens	164,6 lm/W	3000 K	80	C
RS 3936 LED MM 8000-840	3 500	D / K / F / L	4	97,2 W	16800 lumens	172,8 lm/W	4000 K	80	C
RS 3936 LED M 4600 HE-830	1 750	A / I / C / J	2	26,7 W	4480 lumens	167,5 lm/W	3000 K	80	C
RS 3936 LED M 4600 HE-840	1 750	A / I / C / J	2	26,7 W	4700 lumens	175,7 lm/W	4000 K	80	C
RS 3936 LED MM 4600 HE-830	3 500	D / K / F / L	4	53,5 W	8960 lumens	167,5 lm/W	3000 K	80	C
RS 3936 LED MM 4600 HE-840	3 500	D / K / F / L	4	53,5 W	9400 lumens	175,7 lm/W	4000 K	80	C
RS 3936 LED M 7000 HO-830	1 750	A / I / C / J	2	44,6 W	6960 lumens	156 lm/W	3000 K	80	C
RS 3936 LED M 7000 HO-840	1 750	A / I / C / J	2	44,6 W	7300 lumens	163,7 lm/W	4000 K	80	C
RS 3936 LED MM 7000 HO-830	3 500	D / K / F / L	4	89,2 W	13920 lumens	156 lm/W	3000 K	80	C
RS 3936 LED MM 7000 HO-840	3 500	D / K / F / L	4	89,2 W	14600 lumens	163,7 lm/W	4000 K	80	C

**RS 3936 LED - LIGHT DISTRIBUTION**

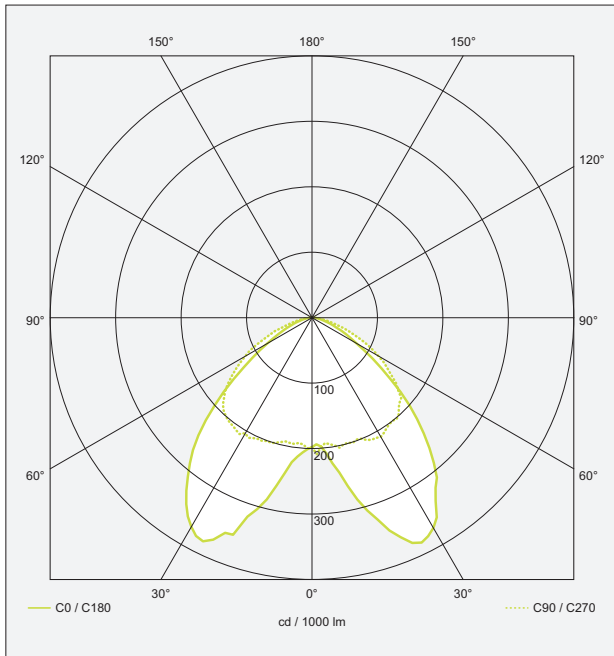
Symmetrical:  
LOR: 95 %



Asymmetrical:  
LOR: 91 %



Double asymmetrical:  
LOR: 95 %



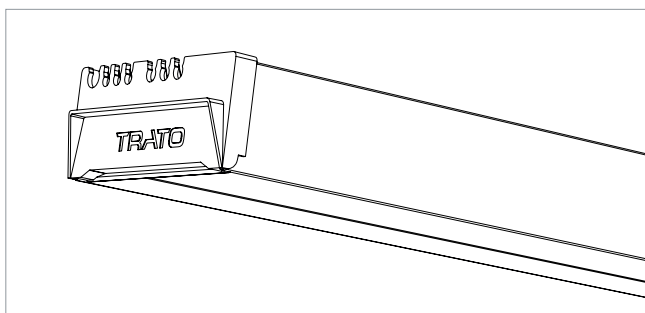
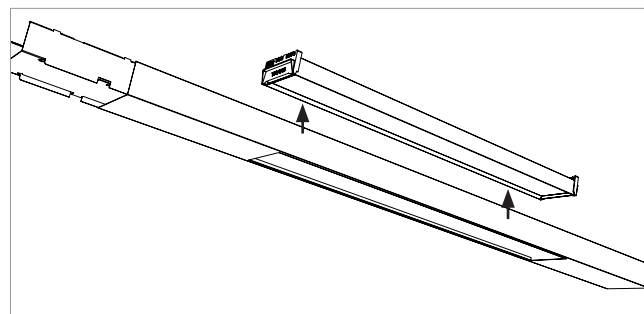
## RS 3936 LED - BENEFITS

1

### POSSIBLE MAINTENANCE

Optical system removable from above, for easy maintenance.

Interchangeable optical systems depending on evolution lighting needs.



### PROTECTION OF OPTICAL SYSTEM

2

Optical system designed to be IP 40 dust-proof for a sustainable protection.

Injected plastic endcap for better waterproofness.

### Option(s)



CEL



3A

### Accessories



Line endcap



Suspension bracket

EXAMPLE OF CONFIGURATION - RS 3936 LED

