

## AR 2262-B LED



### Colour(s)



## HIGH BAY ■ LED

- High bay for LED SPOT module, maximum 4 500 lumens
- CRI of 80 or 90
- MacAdam Ellipse: 2 SDCM
- Available in 3 000 K and 4 000 K
- 50 000 hours lamp life (L80B10)
- Luminous efficiency of system up to 151 lm/W
- Grooved and clear diffuser made of polycarbonate (DSC)
- Housing made of painted die-cast aluminium
- Static heat sink
- **Weight:** approx. 1,7 kg
- **Driver(s):** Fixed, Dimmable driver DALI (CDIMMDALI)
- **Option(s):** Fast connector (CORD), Varnished diffuser (colour upon request), Suspension kit (KS)

### Driver(s)



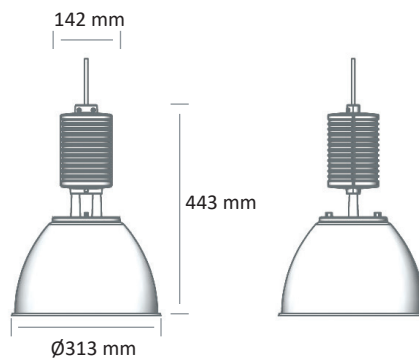
### Standards

Class I | IP 20 | 650°

### Beam(s)



### Dimensions



ITEM	POWER	CONSUMPTION	LUMINOUS FLUX	SYSTEM EFFICIENCY	COLOUR TEMPERATURE	CRI	EFFICIENCY ENERGY CLASS
AR 2262-B LED 2500-930	19 W	21 W	2425 lumens	115,5 lm/W	3000 K	90	E
AR 2262-B LED 3000-830	19 W	21 W	3025 lumens	144 lm/W	3000 K	80	D
AR 2262-B LED 3000-840	19 W	21 W	3175 lumens	151 lm/W	4000 K	80	D
AR 2262-B LED 3000-930	25 W	27 W	2975 lumens	110 lm/W	3000 K	90	E
AR 2262-B LED 3700-830	25 W	27 W	3700 lumens	137 lm/W	3000 K	80	D
AR 2262-B LED 3700-840	25 W	27 W	3875 lumens	143,5 lm/W	4000 K	80	D
AR 2262-B LED 3500-930	31 W	34 W	3450 lumens	101,5 lm/W	3000 K	90	E
AR 2262-B LED 4500-830	31 W	34 W	4275 lumens	125,7 lm/W	3000 K	80	D
AR 2262-B LED 4500-840	31 W	34 W	4500 lumens	132,3 lm/W	4000 K	80	D

### Diffuser(s)

