

PR 3008 LED - PAR 46

LED PROJECTORS

- Orientable projector for LED SPOT module, maximum 4 023 lumens
- CRI of 90
- MacAdam Ellipse : 2 SDCM
- Available in 2 700 K, 3 000 K, 3 500 K and 4 000 K
- 50 000 hours lamp life (L80B10)
- 3-circuits track adaptor
- Luminous efficiency of system up to 161,5 lm/W
- Housing made of painted die-cast aluminium
- Knockdown facade
- Statci heat sink
- **Weight** : Approx. 2,5 kg
- **Driver(s)** : Fixed, Dimmable DALI
- **Option(s)** : Ceiling-mounted bracket (PAT)

Driver(s)



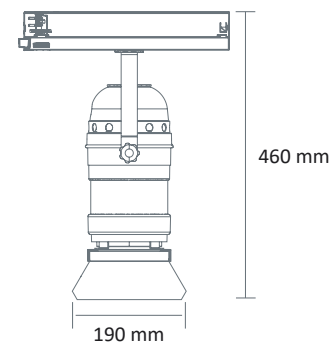
Standards

Class I | IP 20 | 650°

Beam(s)



Dimensions



Colour(s)



Performance of specialized lighting modules

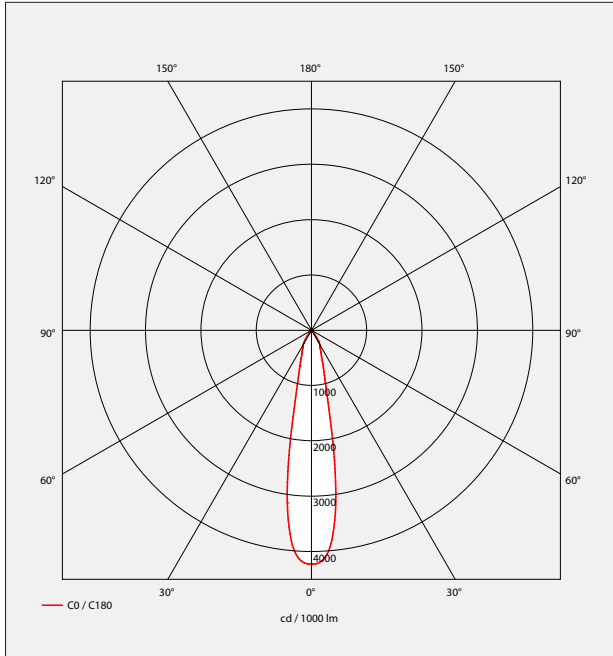
ITEM	SECTION	POWER	CONSUMPTION	LUMINOUS FLUX	SYSTEM EFFICIENCY	COLOUR TEMPERATURE	CRI	EFFICIENCY ENERGY CLASS
PR 3008 LED 3600-927	Bakery	24,1 W	26,8 W	3567 lumens	133,2 lm/W	2700 K	90	-
PR 3008 LED 2700-930	Butchery	29,4 W	32,7 W	2733 lumens	83,7 lm/W	3000 K	90	-

High efficiency performance of the components (HE) CRI 90 with R9>80

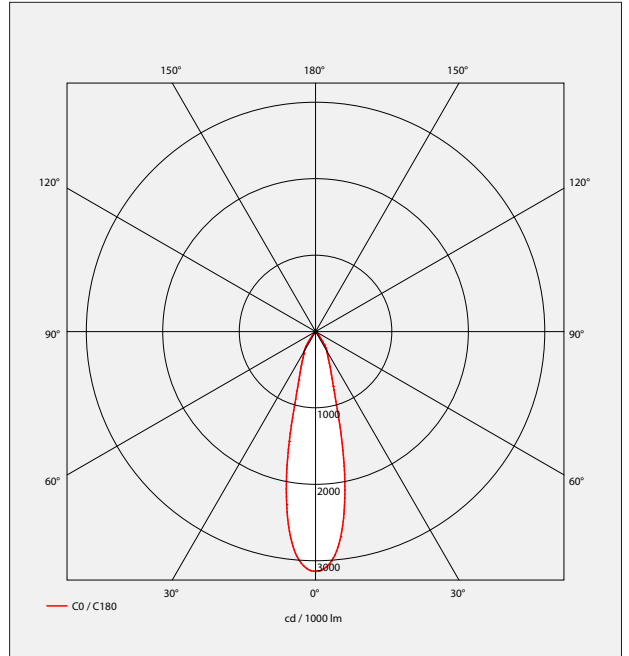
ITEM	POWER	CONSUMPTION	LUMINOUS FLUX	SYSTEM EFFICIENCY	COLOUR TEMPERATURE	CRI	EFFICIENCY ENERGY CLASS
PR 3008 LED HE 3000-930	16,8 W	18,7 W	3010 lumens	161,3 lm/W	3000 K	90	E
PR 3008 LED HE 3000-935	16,8 W	18,7 W	2991 lumens	160,2 lm/W	3500 K	90	E
PR 3008 LED HE 3000-940	16,8 W	18,7 W	3015 lumens	161,5 lm/W	4000 K	90	E
PR 3008 LED HE 4000-930	24,1 W	26,8 W	4016 lumens	150 lm/W	3000 K	90	E
PR 3008 LED HE 4000-935	24,1 W	26,8 W	3991 lumens	149 lm/W	3500 K	90	E
PR 3008 LED HE 4000-940	24,1 W	26,8 W	4023 lumens	150,2 lm/W	4000 K	90	E

LIGHT DISTRIBUTION

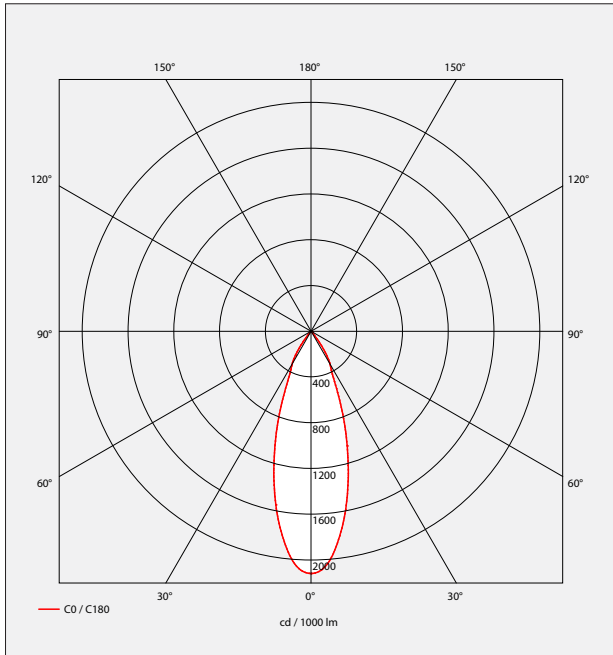
Beams 20°
LOR 90,8%



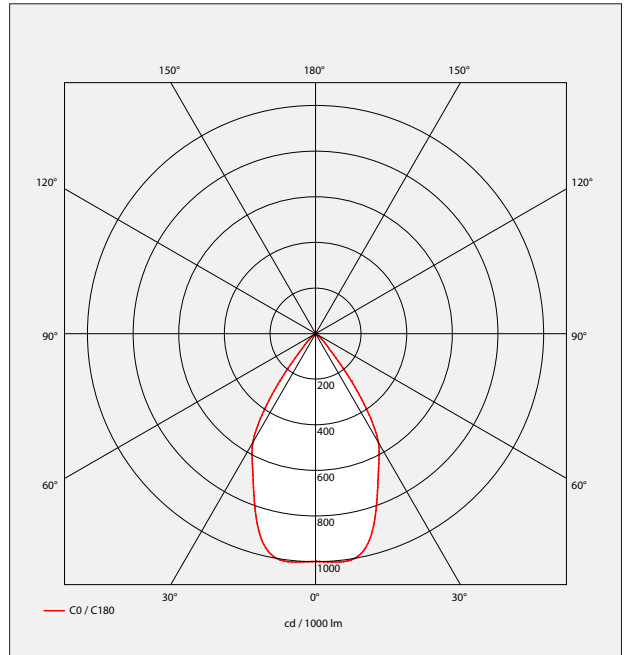
Beams 30°
LOR 88,8%



Beams 40°
LOR 88,4%



Beams 60°
LOR 93,3%



PR 3008 LED - PAR 46

PHOTOMETRIES

Beams ELL
LOR 87,1%

