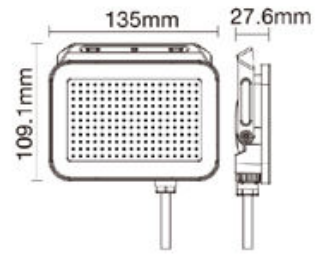
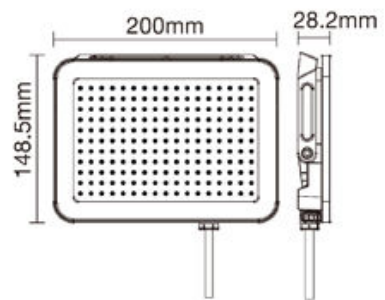




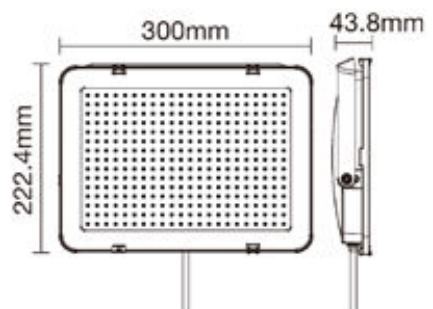
ET 2206-A LED - 20W



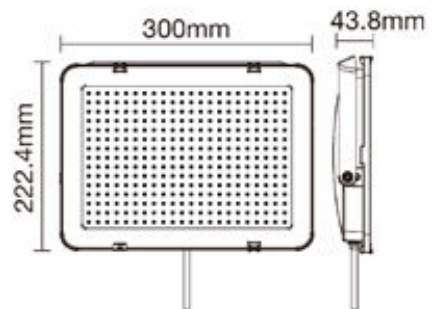
ET 2206-B LED - 50W



ET 2206-C LED - 75W



ET 2206-D LED - 100W

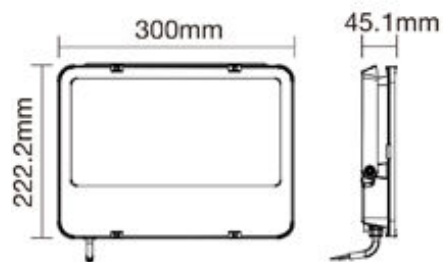


Colour(s)

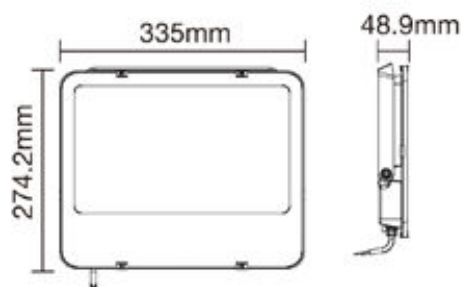




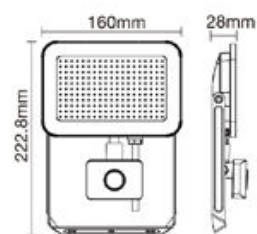
ET 2206-E LED - 100W



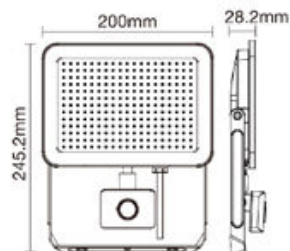
ET 2206-F LED - 150W



ET 2206-G LED - 30W



ET 2206-H LED - 50W



Colour(s)



# ET 2206 LED

- Waterproof orientable projector IP65 for module LED SPOT, maximum 21 000 lumens
- CRI of 80
- MacAdam Ellipse: 5 SDCM
- Manual color temperature selection: 3000 K, 3500 K and 4000 K
- 35 000 hours lamp life (L70B50)
- Luminous efficiency of system up to 140 lm/W
- Housing made of injected aluminium
- Static heat sink
- **Driver(s)** : Fixed

## Driver(s)



## Beam(s)



## Standards

Class I | IP 65 | RG1 | IK07 | 650°

Sensor : IP 44

ITEM	CONSUMPTION	LUMINOUS FLUX	SYSTEM EFFICIENCY	COLOUR TEMPERATURE	CRI
ET 2206-A LED 2300Lm 830-835-840	20W	2300 lumens	115 lm/W	3000 - 3500 - 4000 K	80
ET 2206-B LED 5400Lm 830-835-840	50W	5400 lumens	108 lm/W	3000 - 3500 - 4000 K	80
ET 2206-C LED 8600Lm 830-835-840	75W	8600 lumens	115 lm/W	3000 - 3500 - 4000 K	80
ET 2206-D LED 11000Lm 830-835-840	100W	11000 lumens	110 lm/W	3000 - 3500 - 4000 K	80
ET 2206-E LED 14000Lm ASY 830-835-840	100W	14000 lumens	140 lm/W	3000 - 3500 - 4000 K	80
ET 2206-F LED 21000Lm ASY 830-835-840	150W	21000 lumens	140 lm/W	3000 - 3500 - 4000 K	80
ET 2206-G LED 3200Lm 830-835-840	30W	3200 lumens	107 lm/W	3000 - 3500 - 4000 K	80
ET 2206-H LED 5400Lm 830-835-840	50W	5400 lumens	108 lm/W	3000 - 3500 - 4000 K	80