

ET 2206 LED



EXTRA PROTECTED LUMINAIRES ■ LED

- Waterproof orientable projector IP65 for module LED SPOT, maximum 8 000 lumens
- CRI of 80
- MacAdam Ellipse: 4 SDCM
- Available in 3 000 K
- 40 000 hours lamp life (L70B50)
- Luminous efficiency of system up to 84 lm/W
- Housing made of injected aluminium
- Static heat sink
- **Driver(s) : Fixe (C Fixed)**

Driver(s)



Standards

Class I | IP 65 | RG1 | IK06 | 650°

Efficiency energy class



Beam(s)

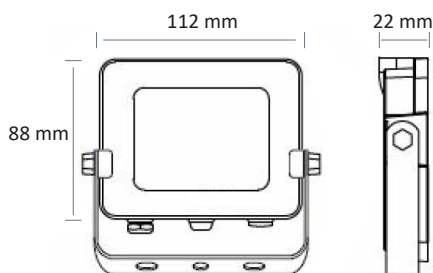


Coulour(s)

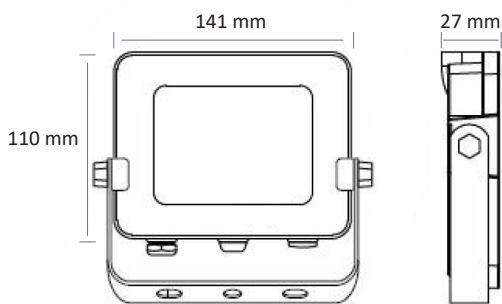


Dimensions

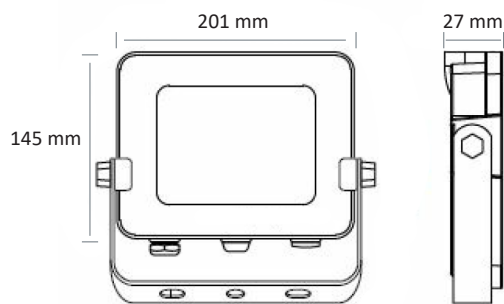
ET 2206-A LED - 20W



ET 2206-B LED - 30W



ET 2206-C LED - 50W / 80W / 100W



ITEM	CONSUMPTION	LUMINOUS FLUX	SYSTEM EFFICIENCY	COLOUR TEMPERATURE	CRI
ET 2206-A LED-1600-830	20W	1600 lumens	80 lm/W	3000 K	80
ET 2206-B LED-2450-830	30W	2450 lumens	81,5 lm/W	3000 K	80
ET 2206-A LED-4200-830	50W	4200 lumens	84 lm/W	3000 K	80
ET 2206-B LED-6400-830	80W	6400 lumens	80 lm/W	3000 K	80
ET 2206-B LED-8000-830	100W	8000 lumens	80 lm/W	3000 K	80