

PR 3951-J LED

TRACK LIGHTING LUMINAIRES ■ LED

- Orientable projector for LED SPOT module, maximum 1 498 lumens
- CRI of 95
- MacAdam Ellipse: 3 SDCM
- Available in 3 000 K, 3 500 K and 4 000 K
- 50 000 hours lamp life (L80B20)
- Luminous efficiency of system up to 95,3 lm/W
- 3-ignition rail adapter
- Housing and box made of die-cast painted aluminium
- Static heat sink
- Optical interchangeable silicone lens
- **Weight:** approx. 1,3 kg
- **Driver(s):** Fixed, DALI Gradation Converter (CDIMMDALI)
- **Option(s) :** Beam Filter (x) (FF), Honeycomb Diffuser (N.AB)



Driver(s)



Standards

Class II | IP 20 | 650°

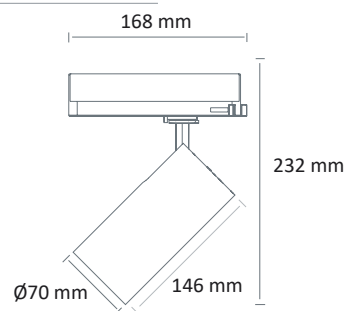
Efficiency energy class



Beam(s)



Dimensions



Colour(s)



ITEM	POWER	CONSUMPTION	LUMINOUS FLUX	SYSTEM EFFICIENCY	COLOUR TEMPERATURE
PR 3951-J LED 800-930	8,9W	787 lumens	87,8 lm/W	3000 K	95
PR 3951-J LED 800-935	8,9W	828 lumens	92,4 lm/W	3500 K	95
PR 3951-J LED 850-940	8,9W	854 lumens	95,3 lm/W	4000 K	95
PR 3951-J LED 950-930	11W	965 lumens	87,7 lm/W	3000 K	95
PR 3951-J LED 1000-935	11W	1015 lumens	92,3 lm/W	3500 K	95
PR 3951-J LED 1050-940	11W	1047 lumens	95,2 lm/W	4000 K	95
PR 3951-J LED 1250-930	15,4W	1248 lumens	80,9 lm/W	3000 K	95
PR 3951-J LED 1300-935	15,4W	1312 lumens	85,1 lm/W	3500 K	95
PR 3951-J LED 1350-940	15,4W	1354 lumens	87,8 lm/W	4000 K	95
PR 3951-J LED 1400-930	17,9W	1381 lumens	76,9 lm/W	3000 K	95
PR 3951-J LED 1450-935	17,9W	1452 lumens	80,9 lm/W	3500 K	95
PR 3951-J LED 1500-940	17,9W	1498 lumens	83,4 lm/W	4000 K	95