

## PR 3008 LED - PAR 30



Colour(s)



## TRACK LIGHTING LUMINAIRES ■ LED

- Orientable projector for LED SPOT module, maximum 2799 lumens
- CRI of 80 and 90
- MacAdam Ellipse: 3 SDCM
- Available in 3 000 K and 4 000 K
- 50 000 hours lamp life (L80B50)
- 3-circuits track adaptor
- Luminous efficiency of system up to 105 lm/W
- Housing made of painted die-cast aluminium
- Knockdown facade
- Static heat sink
- **Weight:** approx. 1,2 kg
- **Adjustable:** 90° and Turnable: 355°
- **Driver(s):** integrated (230V)
- **Option(s):** Ceiling-mounted bracket (PAT)

### Driver(s)

230V

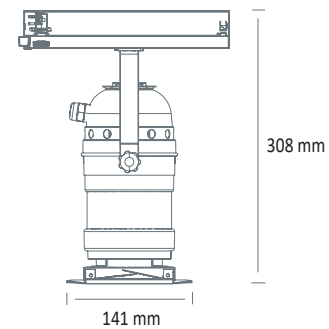
### Standards

Class I | IP 20 | 650°

### Beam(s)



### Dimensions



ITEM	CONSUMPTION	LUMINOUS FLUX	SYSTEM EFFICIENCY	COLOUR TEMPERATURE	CRI	EFFICIENCY ENERGY CLASS
PR 3008 LED 1100-930	12,4W	930 lumens	75 lm/W	3000 K	90	E
PR 3008 LED 1100-830	12,4W	1070 lumens	86 lm/W	3000 K	80	D
PR 3008 LED 1100-840	11W	1070 lumens	97 lm/W	4000 K	80	D
PR 3008 LED 2000-930	21,5W	1692 lumens	78,5 lm/W	3000 K	90	E
PR 3008 LED 2000-830	21,5W	1935 lumens	90 lm/W	3000 K	80	D
PR 3008 LED 2000-840	18,6W	1935 lumens	104 lm/W	4000 K	80	D
PR 3008 LED 3000-930	26,8W	2259 lumens	84,5 lm/W	3000 K	90	E
PR 3008 LED 3000-830	26,8W	2574 lumens	96 lm/W	3000 K	80	D
PR 3008 LED 3000-840	26,6W	2799 lumens	105 lm/W	4000 K	80	D