

## EO 5056-A LED D146



### Colour(s)



Ø128 mm



## ORIENTABLE AND ADJUSTABLE . LED

- Circular recessed orientable spotlight for LED SPOT module, maximum 3 949 lumens
- CRI of 80 or 90
- MacAdam Ellipse: 3 SDCM
- Available in 2 500 K, 3 000 K and 4 000 K
- 50 000 hours lamp life (L80B10)
- Luminous efficiency of system up to 145,5 lm/W
- Springs in pressure for easier installation
- Ring made of die-cast aluminium
- Static heat sink
- **Weight:** Approx. 1 kg
- **Driver(s):** Fixed, Dimmable driver DALI (CDIMMDALI)
- **Option(s):** Fast connector (CORD), eleptical reflector (ELIP)
- **Photobiological risk group 0**

### Driver(s)



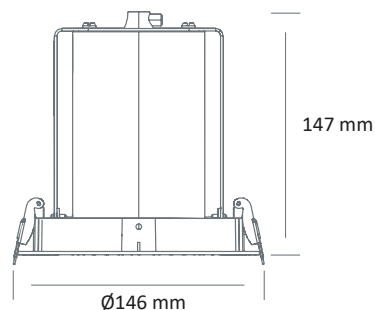
### Standards

Class I | IP 20 | 650° | RGO

### Beam(s)



### Dimensions



| ITEM                        | SECTION  | POWER | CONSUMPTION | LUMINOUS FLUX | SYSTEM EFFICIENCY | COLOUR TEMPERATURE | CRI | EFFICIENCY ENERGY CLASS |
|-----------------------------|----------|-------|-------------|---------------|-------------------|--------------------|-----|-------------------------|
| EO 5056-A LED D146 2000-925 | Bakery   | 23,7W | 26,9W       | 2171 lumens   | 80,7 lm/W         | 2500 K             | 90  | -                       |
| EO 5056-A LED D146 2000-930 | Butchery | 23,7W | 26,9W       | 2297 lumens   | 85,4 lm/W         | 3000 K             | 90  | -                       |
| EO 5056-A LED D146 3300-930 | -        | 23,7W | 27,1W       | 3281 lumens   | 121 lm/W          | 3000 K             | 90  | E                       |
| EO 5056-A LED D146 3400-940 | -        | 23,8W | 27,1W       | 3384 lumens   | 125 lm/W          | 4000 K             | 90  | E                       |
| EO 5056-A LED D146 3700-830 | -        | 23,8W | 27,1W       | 3684 lumens   | 136 lm/W          | 3000 K             | 80  | D                       |
| EO 5056-A LED D146 3900-840 | -        | 23,8W | 27,1W       | 3949 lumens   | 145,5 lm/W        | 4000 K             | 80  | D                       |