

EO 5056-B LED D120



Colour(s)



Ø114 mm



ORIENTABLE AND ADJUSTABLE ■ LED

- Circular recessed orientable spotlight for LED SPOT module, maximum 3 949 lumens
- CRI of 80 or 90
- MacAdam Ellipse: 3 SDCM
- Available in 2500 K, 3 000 K and 4 000 K
- 50 000 hours lamp life (L80B10)
- Luminous efficiency of system up to 145,5 lm/W
- Springs in pressure for easier installation
- Ring made of die-cast aluminium
- Static heat sink
- Polycarbonate lens
- **Weight:** Approx. 1 kg
- **Driver(s):** Integrated
- **Option(s):** Fast connector (CORD)
- **Photobiological risk group 0**

Driver(s)



Standards

Class I | IP 20 | 650° | RGO

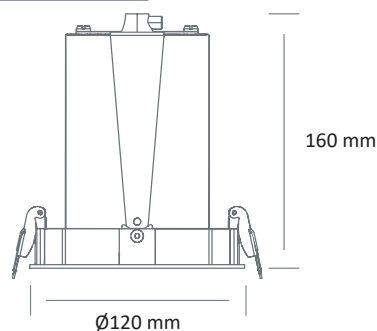
Efficiency energy class



Beam(s)



Dimensions



ITEM	SECTION	POWER	CONSUMPTION	LUMINOUS FLUX	SYSTEM EFFICIENCY	COLOUR TEMPERATURE	CRI
EO 5056-B LED D120 2000-925	Bakery	23,7 W	26,9 W	2171 lumens	80,7 lm/W	2500 K	90
EO 5056-B LED D120 2000-930	Butchery	23,7 W	26,9 W	2297 lumens	85,4 lm/W	3000 K	90
EO 5056-B LED D120 3300-930	-	23,8 W	27,1 W	3281 lumens	121 lm/W	3000 K	90
EO 5056-B LED D120 3400-940	-	23,8 W	27,1 W	3384 lumens	125 lm/W	4000 K	90
EO 5056-B LED D120 3700-830	-	23,8 W	27,1 W	3684 lumens	136 lm/W	3000 K	80
EO 5056-B LED D120 3900-840	-	23,8 W	27,1 W	3949 lumens	145,5 lm/W	4000 K	80