

EO 5056-B LED D146



Colour(s)



Ø128 mm



ORIENTABLE AND ADJUSTABLE ■ LED

- Circular recessed orientable spotlight for LED SPOT module, maximum 3 949 lumens
- CRI of 80 or 90
- MacAdam Ellipse: 3 SDCM
- Available in 2 500 K, 3 000 K and 4 000 K
- 50 000 hours lamp life (L80B10)
- Luminous efficiency of system up to 145,5 lm/W
- Springs in pressure for easier installation
- Ring made of die-cast aluminium
- Static heat sink
- Polycarbonate lens
- **Weight:** Approx. 0,7 kg
- **Driver(s):** Fixed, Dimmable driver DALI (CDIMMDALI)
- **Option(s):** Fast connector (CORD)
- **Photobiological risk group 0**

Driver(s)



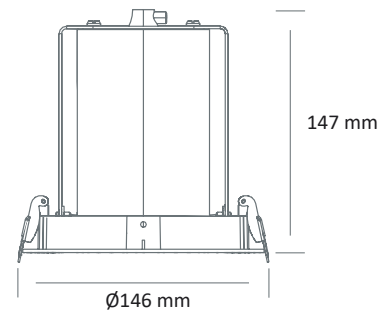
Standards

Class I | IP 20 | 650° | RGO

Beam(s)



Dimensions



ITEM	SECTION	POWER	CONSUMPTION	LUMINOUS FLUX	SYSTEM EFFICIENCY	COLOUR TEMPERATURE	CRI	EFFICIENCY ENERGY CLASS
EO 5056-B LED D146 2000-925	Bakery	23,7W	26,9W	2171 lumens	80,7 lm/W	2500 K	90	-
EO 5056-B LED D146 2000-930	Butchery	23,7W	26,9W	2297 lumens	85,4 lm/W	3000 K	90	-
EO 5056-B LED D146 3300-930	-	23,8W	27,1W	3281 lumens	121 lm/W	3000 K	90	E
EO 5056-B LED D146 3400-940	-	23,8W	27,1W	3384 lumens	125 lm/W	4000 K	90	E
EO 5056-B LED D146 3700-830	-	23,8W	27,1W	3684 lumens	136 lm/W	3000 K	80	D
EO 5056-B LED D146 3900-840	-	23,8W	27,1W	3949 lumens	145,5 lm/W	4000 K	80	D