

# EO 2178 LED



## Colour(s)



Ø120 mm



## ORIENTABLE AND ADJUSTABLE . LED

- Circular recessed orientable spotlight for LED SPOT module, maximum 4 525 lumens
- CRI of 80 or 90
- MacAdam Ellipse : 2 SDCM
- Available in 2 700 K, 3 000 K, 3 500 K and 4 000 K
- 50 000 hours lamp life (L80B10)
- Luminous efficiency of system up to 150 lm/W
- Springs in pressure for easier installation
- Static heat sink
- **Driver(s):** Fixed, Dimmable driver DALI (CDIMMDA LI)

### Driver(s)



### Standards

Class I | IP 20 | 650°

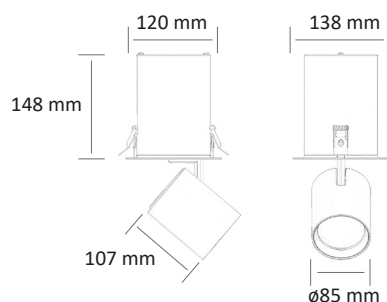
### Efficiency energy class



### Beam(s)



### Dimensions



ITEM	POWER	CONSUMPTION	LUMINOUS FLUX	SYSTEM EFFICIENCY	COLOUR TEMPERATURE	CRI
EO 2178 LED 2000-927	15W	17W	1950 lumens	114,7 lm/W	2700 K	90
EO 2178 LED 2000-930	15W	17W	2025 lumens	119,1 lm/W	3000 K	90
EO 2178 LED 2000-935	15W	17W	2050 lumens	120,6 lm/W	3500 K	90
EO 2178 LED 2000-940	15W	17W	2150 lumens	126,5 lm/W	4000 K	90
EO 2178 LED 2500-830	15W	17W	2475 lumens	145,6 lm/W	3000 K	80
EO 2178 LED 2500-840	15W	17W	2550 lumens	150 lm/W	4000 K	80
EO 2178 LED 3500-927	32W	35W	3450 lumens	98,6 lm/W	2700 K	90
EO 2178 LED 3500-930	32W	35W	3600 lumens	102,9 lm/W	3000 K	90
EO 2178 LED 3500-935	32W	35W	3650 lumens	104,3 lm/W	3500 K	90
EO 2178 LED 3500-940	32W	35W	3850 lumens	110 lm/W	4000 K	90
EO 2178 LED 4500-830	32W	35W	4425 lumens	126,4 lm/W	3000 K	80
EO 2178 LED 4500-840	32W	35W	4525 lumens	129,3 lm/W	4000 K	80