

AR 2262-B LED



Colour(s)



HIGH BAY ■ LED

- High bay for LED SPOT module, maximum 4 425 lumens
- CRI of 80 or 90
- MacAdam Ellipse: 3 SDCM
- Available in 3 000 K and 4 000 K
- 50 000 hours lamp life (L80B10)
- Luminous efficiency of system up to 142,5 lm/W
- Grooved and clear diffuser made of polycarbonate (DSC)
- Housing made of painted die-cast aluminium
- Static heat sink
- **Weight:** approx. 1,7 kg
- **Driver(s):** Fixed, Dimmable driver DALI (CDIMMDALI)
- **Option(s):** Fast connector (CORD), Varnished diffuser (colour upon request), Suspension kit (KS)

Driver(s)



Standards

Class I | IP 20 | 650°

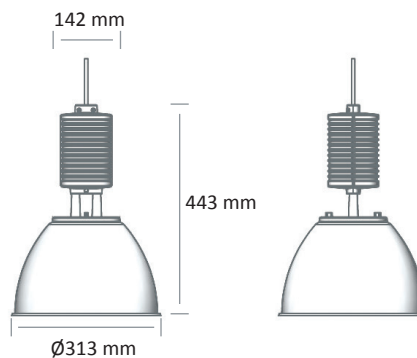
Efficiency energy class



Beam(s)



Dimensions



ITEM	POWER	CONSUMPTION	LUMINOUS FLUX	SYSTEM EFFICIENCY	COLOUR TEMPERATURE	CRI
AR 2262-B LED 1900-930	15W	17W	1975 lumens	116 lm/W	3000 K	90
AR 2262-B LED 2500-830	15W	17W	2425 lumens	142,5 lm/W	3000 K	80
AR 2262-B LED 2500-840	15W	17W	2500 lumens	147 lm/W	4000 K	80
AR 2262-B LED 2700-930	23W	25W	2725 lumens	109 lm/W	3000 K	90
AR 2262-B LED 3300-830	23W	25W	3350 lumens	134 lm/W	3000 K	80
AR 2262-B LED 3400-840	23W	25W	3450 lumens	138 lm/W	4000 K	80
AR 2262-B LED 3500-930	32W	35W	3500 lumens	100 lm/W	3000 K	90
AR 2262-B LED 4300-830	32W	35W	4300 lumens	123 lm/W	3000 K	80
AR 2262-B LED 4400-840	32W	35W	4425 lumens	126,5 lm/W	4000 K	80

Diffuser(s)



DSC