

ET 2206 LED

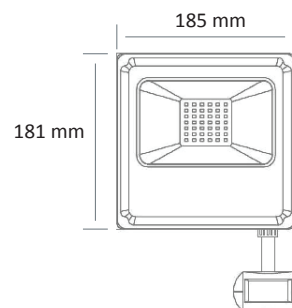
- Waterproof orientable projector IP54/65 for module LED SPOT, maximum 20 000 lumens
- CRI of 80
- MacAdam Ellipse: 6 SDCM
- Available in 3 000 K, 4 000 K and 6500 K
- 40 000 hours lamp life (L70B50)
- Luminous efficiency of system up to 112,5 lm/W

EXTRA PROTECTED LUMINAIRES ■ LED

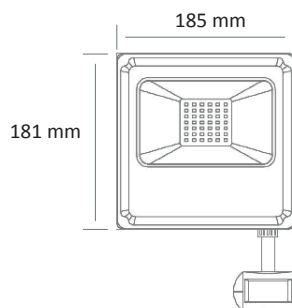
- Housing made of injected aluminium
- Static heat sink
- **Weight:** approx. 1,17 kg
- **Adjustable:** 110°
- **Driver(s) :** Fixe (C Fixed)
- **Option(s) :** Lighting sensor and-or movement detection (CEL)



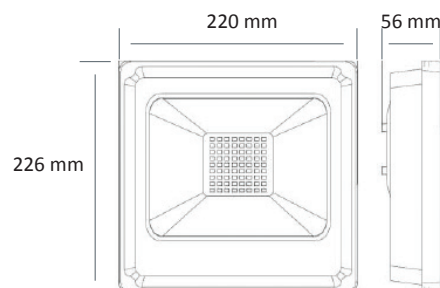
ET 2206-A LED - 20W



ET 2206-B LED - 30W



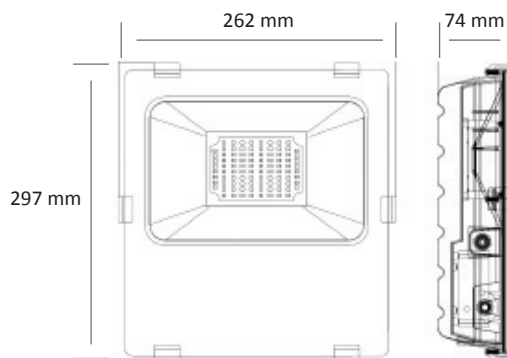
ET 2206-C LED - 50W



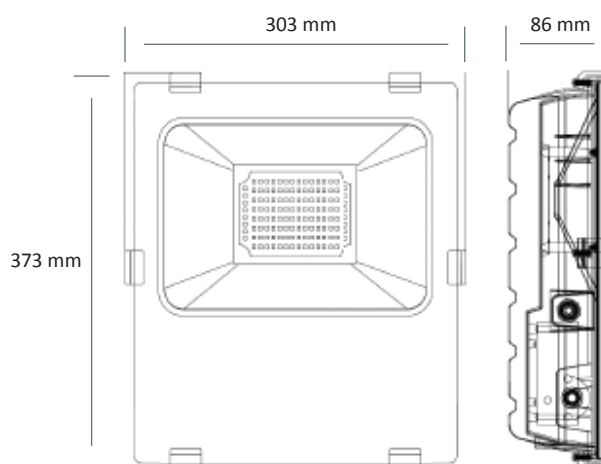
ET 2206 LED



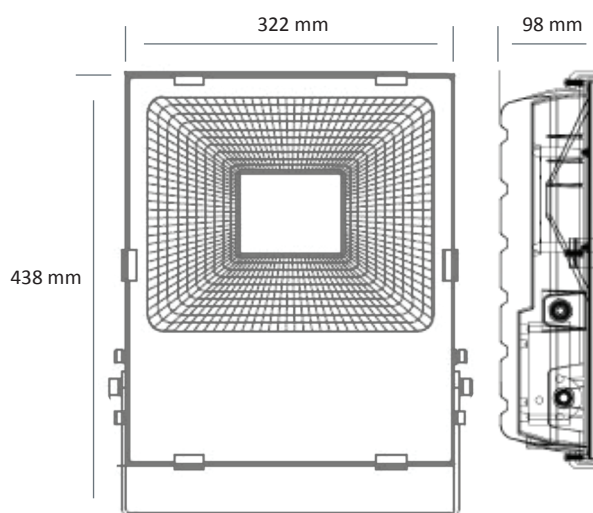
ET 2206-D LED - 80W



ET 2206-E LED - 100W



ET 2206-F LED - 200W



Colour(s)



ET 2206 LED

SPECIFICITIES

Driver(s)



Standards

Class I | IP 65 (54 with Lighting sensor movement detection) | 650°

Beam(s)



Efficiency energy class



PERFORMANCE

ITEM	CONSUMPTION	LUMINOUS FLUX	SYSTEM EFFICIENCY	COLOUR TEMPERATURE	CRI
ET 2206-A LED-1700-830	20W	1700 lumens	85 lm/W	3000 K	80
ET 2206-A LED-1900-840	20W	1900 lumens	95 lm/W	4000 K	80
ET 2206-A LED-1900-865	20W	1900 lumens	95 lm/W	6500 K	80
ET 2206-B LED-2700-830	30W	2700 lumens	90 lm/W	3000 K	80
ET 2206-B LED-2800-840	30W	2800 lumens	93,5 lm/W	4000 K	80
ET 2206-B LED-2800-865	30W	2800 lumens	93,5 lm/W	6500 K	80
ET 2206-B LED-4500-840	50W	4500 lumens	90 lm/W	4000 K	80
ET 2206-C LED-4500-865	50W	4500 lumens	90 lm/W	6500 K	80
ET 2206-D LED-9000-840	80W	9000 lumens	112,5 lm/W	4000 K	80
ET 2206-D LED-9000-865	80W	9000 lumens	112,5 lm/W	6500 K	80
ET 2206-E LED-11100-840	100W	11 100 lumens	111 lm/W	4000 K	80
ET 2206-E LED-11100-865	100W	11 100 lumens	111 lm/W	6500 K	80
ET 2206-F LED-20000-840	200W	20 000 lumens	100 lm/W	4000 K	80
ET 2206-F LED-20000-865	200W	20 000 lumens	100 lm/W	6500 K	80