

LS 3934 LED DASY



Colour(s)



LED LIGHTING FIXTURES

- Track asymmetrical suspended luminaire for LINEAR LED module, maximum 5 800 lumens
- CRI of 80
- MacAdam Ellipse: 3 SDCM
- Available in 4 000 K
- 50 000 hours lamp life (L80B20)
- luminous efficiency of system up to 151,5 lm/W
- Reflector double asymmetrical in Miro Silver quality
- Optical diffuser made of polymethyl methacrylate (PMMA)
- 3-circuits track adaptor
- Housing made of painted steel
- Static heat sink
- Weight:** approx. 1,7 kg
- Driver(s):** Fixed, Dimmable driver DALI (CDIMMDALI)

Driver(s)



Standards

Class I | IP 40 | 650°

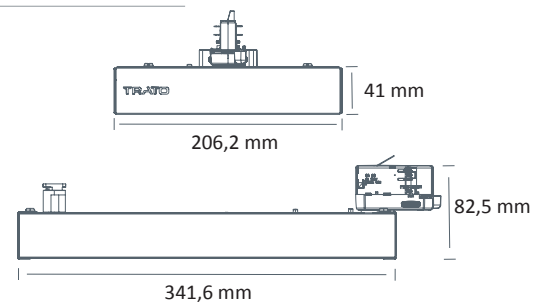
Efficiency energy class



Beam(s)



Dimensions



ITEM	NB OF MODULE(S)	CONSUMPTION	LUMINOUS FLUX	SYSTEM EFFICIENCY	COLOUR TEMPERATURE	CRI
LS 3934-LED DASY - 4400-830	2	33,2W	4300 lumens	129 lm/W	3000 K	80
LS 3934-LED DASY - 4400-840	2	33,2W	4480 lumens	135 lm/W	4000 K	80
LS 3934-LED DASY - 5600-830	2	38,2W	5540 lumens	145 lm/W	3000 K	80
LS 3934-LED DASY - 5600-840	2	38,2W	5800 lumens	151,5 lm/W	4000 K	80