

EO 5140-B LED ROD



Colour(s)



Ø68 mm



ORIENTABLE AND ADJUSTABLE ■ LED

- Ceiling mounted luminaire for LED SPOT module, maximum 4 023 lumens
- CRI of 90
- MacAdam Ellipse : 2 SDCM
- Available in 2 700 K, 3 000 K, 3 500 K and 4 000 K
- 50 000 hours lamp life (L80B10)
- Luminous efficiency of system up to 161,5 lm/W
- Springs in pressure for easier installation
- Ring made of die-cast aluminium
- Polycarbonate lens optics
- **Weight** : Approx. 1,3 kg
- **Driver(s)** : Fixed, Dimmable DALI, Casambi, Connect
- **Option(s)** : Fast connector (CORD)
- Photobiological risk group 1

Driver(s)



Standards

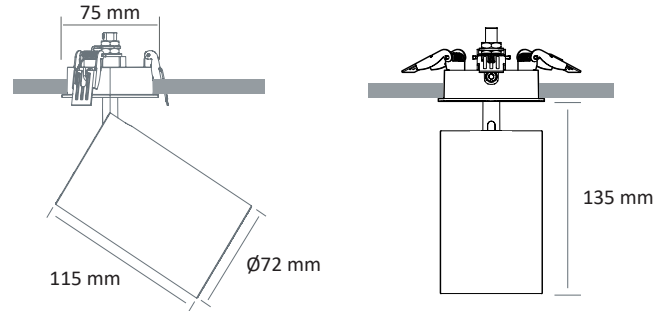
Class II | IP 20 | 650° | RG1

Beam(s)



Dimensions

Required plenum height : 150 mm



Performance of the components CRI 80 & 90

ITEM	SECTION	POWER	CONSUMPTION	LUMINOUS FLUX	SYSTEM EFFICIENCY	COLOUR TEMPERATURE	CRI	EFFICIENCY ENERGY CLASS
EO 5140-B LED ROD 3600-927	Bakery	24,1 W	26,8 W	3567 lumens	133,2 lm/W	2700 K	90	-
EO 5140-B LED ROD 2700-930	Butchery	29,4 W	32,7 W	2733 lumens	83,7 lm/W	3000 K	90	-

High efficiency performance of the components (HE) CRI 90 with R9>80

ITEM	POWER	CONSUMPTION	LUMINOUS FLUX	SYSTEM EFFICIENCY	COLOUR TEMPERATURE	CRI	EFFICIENCY ENERGY CLASS
EO 5140-B LED ROD HE 3000-930	16,8 W	18,7 W	3010 lumens	161,3 lm/W	3000 K	90	E
EO 5140-B LED ROD HE 3000-935	16,8 W	18,7 W	2991 lumens	160,2 lm/W	3500 K	90	E
EO 5140-B LED ROD HE 3000-940	16,8 W	18,7 W	3015 lumens	161,5 lm/W	4000 K	90	E
EO 5140-B LED ROD HE 4000-930	24,1 W	26,8 W	4016 lumens	150 lm/W	3000 K	90	E
EO 5140-B LED ROD HE 4000-935	24,1 W	26,8 W	3991 lumens	149 lm/W	3500 K	90	E
EO 5140-B LED ROD HE 4000-940	24,1 W	26,8 W	4023 lumens	150,2 lm/W	4000 K	90	E