

EO 5140-B LED ROD ICOB



ORIENTABLE AND ADJUSTABLE . LED

- Ceiling mounted luminaire for LED SPOT module, maximum 3 751 lumens
- CRI of 90
- MacAdam Ellipse: 2 SDCM
- Available in 3 000 K, 3 500 K and 4 000 K
- 50 000 hours lamp life (L80B10)
- Luminous efficiency of system up to 152,7 lm/W
- Springs in pressure for easier installation
- Ring made of die-cast aluminium
- Interchangeable ICOB module
- Polycarbonate lens optics
- **Weight** : Approx. 1,3 kg
- **Driver(s)** : Fixed, Dimmable DALI (CDIMMDALI), Casambi, Connect
- **Option(s)** : Fast connector (CORD)
- Photobiological risk group 1

Driver(s)



Standards

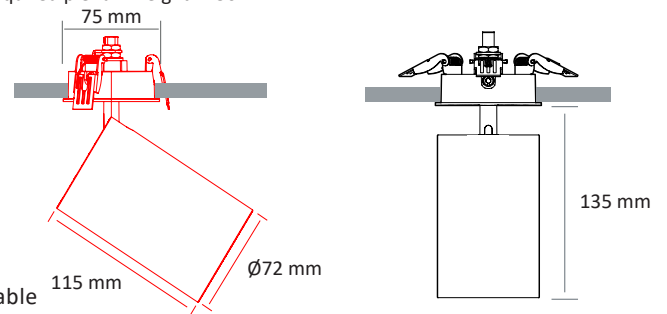
Class II | IP 20 | 650° | RG1

Beam(s)



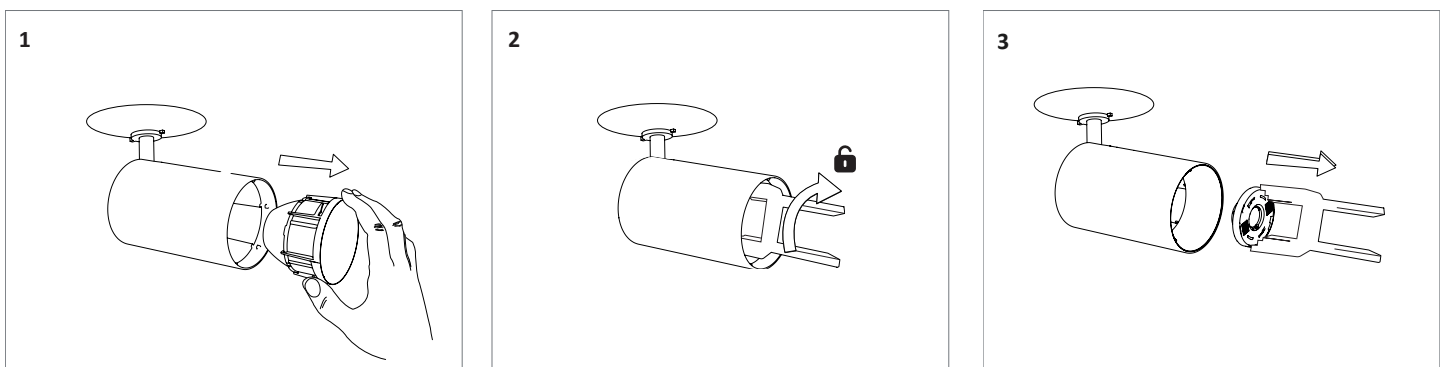
Dimensions

Required plenum height : 150 mm



A product equipped with ICOB technology is provided with a mechanism enable to change the module on the GH36d-4 socket by a simple quarter-turn rotation.

ICOB version



EO 5140-B LED ROD ICOB

High efficiency performance of the components (HE) CRI 90 with R9>80

ITEM	POWER	CONSUMPTION	LUMINOUS FLUX	SYSTEM EFFICIENCY	COLOUR TEMPERATURE	CRI	EFFICIENCY ENERGY CLASS
EO 5140-B LED ROD ICOB HE 2800-930	16,7 W	18,6 W	2829 lumens	152,5 lm/W	3000 K	90	E
EO 5140-B LED ROD ICOB HE 2800-935	16,7 W	18,6 W	2811 lumens	151,5 lm/W	3500 K	90	E
EO 5140-B LED ROD ICOB HE 2800-940	16,7 W	18,6 W	2834 lumens	152,7 lm/W	4000 K	90	E
EO 5140-B LED ROD ICOB HE 3800-930	23,9 W	26,6 W	3745 lumens	141 lm/W	3000 K	90	E
EO 5140-B LED ROD ICOB HE 3800-935	23,9 W	26,6 W	3721 lumens	140,1 lm/W	3500 K	90	E
EO 5140-B LED ROD ICOB HE 3800-940	23,9 W	26,6 W	3751 lumens	141,3 lm/W	4000 K	90	E