

# AR 5036 B-C LED



## Colour(s)



## HIGH BAY ■ LED

- High bay for LED SPOT module, maximum 3 949 lumens
- CRI of 80 or 90
- MacAdam Ellipse: 3 SDCM
- Available in 2 500 K, 3 000 K and 4 000 K
- 50 000 hours lamp life (L80B10)
- Luminous efficiency of system up to 145,7 lm/W
- Housing made of embossed aluminium
- Static heat sink
- **Weight:** approx. 1,1 kg
- **Included:** Suspension kit (KS)
- **Driver:** Fixed, Dimmable driver DALI (CDIMMDALI)
- **Option(s):** Fast connector (CORD)

### Driver(s)



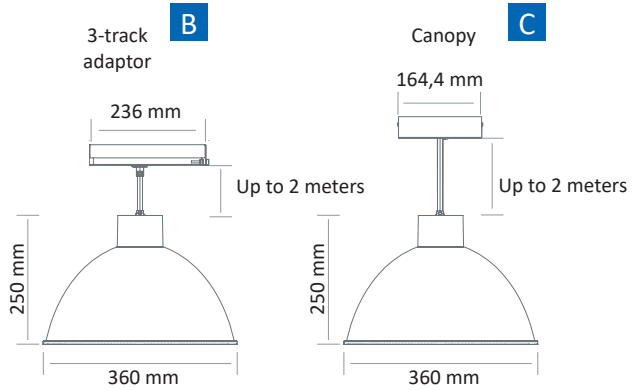
### Standards

- B** Class II | IP 20 | 650°  
**C** Class I | IP 20 | 650°

### Beam(s)



### Dimensions



ITEM	SECTION	POWER	CONSUMPTION	LUMINOUS FLUX	SYSTEM EFFICIENCY	COLOUR TEMPERATURE	CRI	EFFICIENCY ENERGY CLASS
AR 5036 LED 2000-925	Bakery	23,7W	26,9W	2086 lumens	77,5 lm/W	2500 K	90	-
AR 5036 LED 2000-930	Butchery	23,7W	26,9W	2158 lumens	80,2 lm/W	3000 K	90	-
AR 5036 LED 3300-930		23,8W	27,1W	3281 lumens	121 lm/W	3000 K	90	E
AR 5036 LED 3400-940		23,8W	27,1W	3384 lumens	124,9 lm/W	4000 K	90	E
AR 5036 LED 3700-830		23,8W	27,1W	3684 lumens	135,9 lm/W	3000 K	80	D
AR 5036 LED 3900-840		23,8W	27,1W	3949 lumens	145,7 lm/W	4000 K	80	D

### Colour(s) examples



### Grooved reflector

