

GR 5056 LED



Colour(s)

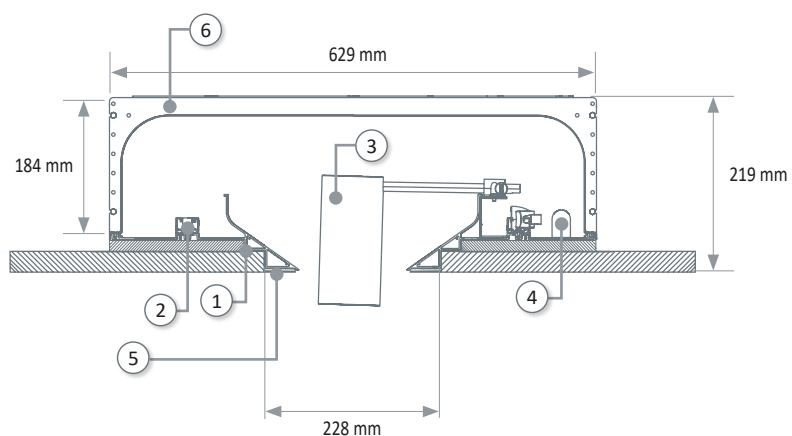


GORGES ■ LED

Architectural lighting groove system, without visible angles, incorporating adjustable LED spotlights. The system includes:

- The angles in extruded aluminum profile, (length 1m, 2m or 3m)
- White or black 1-light rails (length 1m, 2m, 3m, 4m) and accessories
- PR 5056-C LED or PR 5056-E LED accent spotlights
- Backlighting (optional) by RG 2509 LED light strips
- Accessory (s): Mechanically welded end cap, 90 ° angle

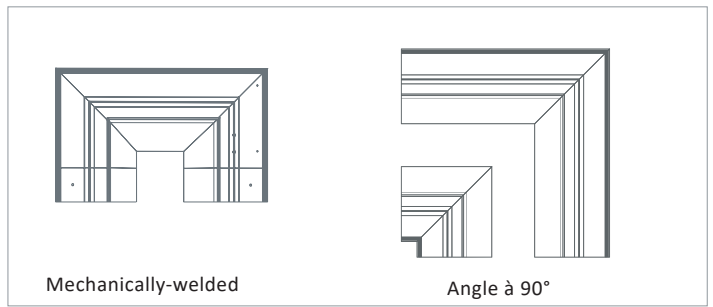
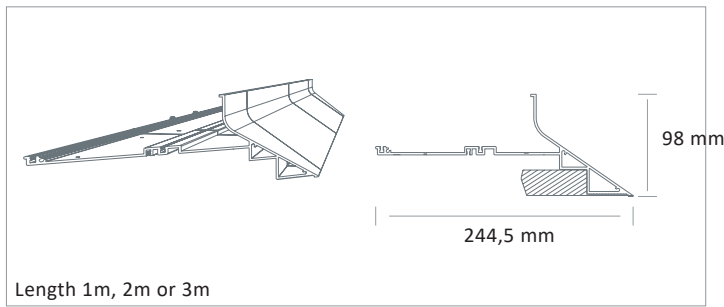
Dimensions



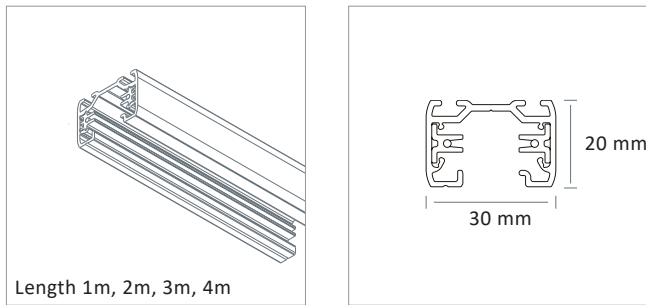
- ① Angle made of extruded aluminium profile
- ② 1-circuit track
- ③ PR 5056-C LED or PR 5056-E LED projector
- ④ Backlighting with batten LED luminaire (optional)
- ⑤ Finish coating
- ⑥ Optional box

GR 5056 LED

ALUMINIUM PROFILE



1 CIRCUIT TRACK



ACCENT LIGHTING - PR 5056-C LED

- Orientable projector for LED SPOT module, maximum 3 949 lumens
- CRI of 80 or 90
- MacAdam Ellipse: 3 SDCM
- Available in 3 000 K and 4 000 K
- 50 000 hours lamp life (L80B50)
- Luminous efficiency of system up to 145,7 lm/W
- 1-circuit track adaptor

- Housing made of die-cast painted aluminium
- Static heat sink
- **Weight: approx. 1,3 kg**
- **Driver(s):** Integrated



Driver(s)



Efficiency energy class



Beam(s)

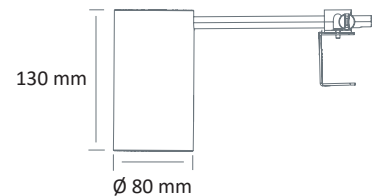


Table below

Standards

Class II | IP 20 | 650°

Dimensions



ITEM	DALI	POWER	CONSUMPTION	LUMINOUS FLUX	SYSTEM EFFICIENCY	COLOUR TEMPERATURE	CRI	BEAMS
PR 5056-C LED 2000-930		14,9W	17,6W	2227 lumens	126,8 lm/W	3000 K	90	16° / 33° / 42° / 59°
PR 5056-C LED 2000-940		13,1W	15,5W	2072 lumens	133,3 lm/W	4000 K	90	16° / 33° / 42° / 59°
PR 5056-C LED 3700-830		23,8W	27,1W	3684 lumens	135,9 lm/W	3000 K	80	16° / 33° / 42° / 59°
PR 5056-C LED 3900-840		23,8W	27,1W	3949 lumens	145,7 lm/W	4000 K	80	16° / 33° / 42° / 59°
PR 5056-C LED 3300-930		23,8W	27,1W	3281 lumens	121,1 lm/W	3000 K	90	16° / 33° / 42° / 59°
PR 5056-C LED 3400-940		23,8W	27,1W	3384 lumens	124,9 lm/W	4000 K	90	16° / 33° / 42° / 59°

GR 5056 LED

ACCENT LIGHTING - PR 5056-E LED

- Orientable projector for LED SPOT module, maximum 3 949 lumens
- CRI of 80 or 90
- MacAdam Ellipse: 2 SDCM
- Available in 3 000 K, 3 500 K and 4 000 K
- 50 000 hours lamp life (L80B50)
- Luminous efficiency of system up to 145,7 lm/W
- 1-circuit track adaptor

- Housing made of die-cast painted aluminium
- Static heat sink
- Optical lens
- **Weight: approx. 1,3 kg**
- **Driver(s):** Integrated



Driver(s)



Efficiency energy class



Beam(s)

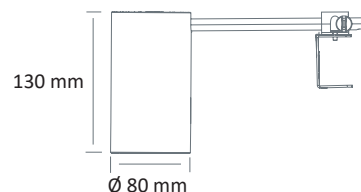


Table below

Standards

Class II | IP 20 | 650°

Dimensions



ITEM	DALI	POWER	CONSUMPTION	LUMINOUS FLUX	SYSTEM EFFICIENCY	COLOUR TEMPERATURE	CRI	BEAMS
PR 5056-E LED 2000-930		14,9W	17,6W	2227 lumens	126,8 lm/W	3000 K	90	16°/33°/42°/59°
PR 5056-E LED 2000-940		13,1W	15,5W	2072 lumens	133,3 lm/W	4000 K	90	16°/33°/42°/59°
PR 5056-E LED 3700-830		23,8W	27,1W	3684 lumens	135,9 lm/W	3000 K	80	16°/33°/42°/59°
PR 5056-E LED 3900-840		23,8W	27,1W	3949 lumens	145,7 lm/W	4000 K	80	16°/33°/42°/59°
PR 5056-E LED 3300-930		23,8W	27,1W	3281 lumens	121,1 lm/W	3000 K	90	16°/33°/42°/59°
PR 5056-E LED 3400-940		23,8W	27,1W	3384 lumens	124,9 lm/W	4000 K	90	16°/33°/42°/59°

GR 5056 LED

INDIRECT LIGHTING - RG 2509 LED



Colour(s)



Driver(s)



Efficiency energy class



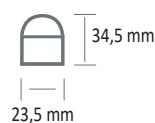
Standards

Class I | IP 20 | 650°

Beam(s)



Dimensions



ITEM	LENGTH (MM)	MAX NUMBER OF BATTEN LUMINAIRES / LINE	POWER	LUMINOUS FLUX	COLOUR TEMPERATURE	CRI
RG 2509 LED-466-840	307	20	5W	466 lumens	4000 K	80
RG 2509 LED-895-840	568	15	9W	895 lumens	4000 K	80
RG 2509 LED-1262-840	868	12	12W	1262 lumens	4000 K	80
RG 2509 LED-1592-840	1168	10	15W	1592 lumens	4000 K	80
RG 2509 LED-1781-840	1438	8	18W	1781 lumens	4000 K	80
RG 2509 LED-425-830	307	20	5W	425 lumens	3000 K	80
RG 2509 LED-837-830	568	15	9W	837 lumens	3000 K	80
RG 2509 LED-1181-830	868	12	12W	1181 lumens	3000 K	80
RG 2509 LED-1491-830	1168	10	15W	1491 lumens	3000 K	80
RG 2509 LED-1734-830	1438	8	18W	1734 lumens	3000 K	80