

GR 5084 LED



Colour(s)

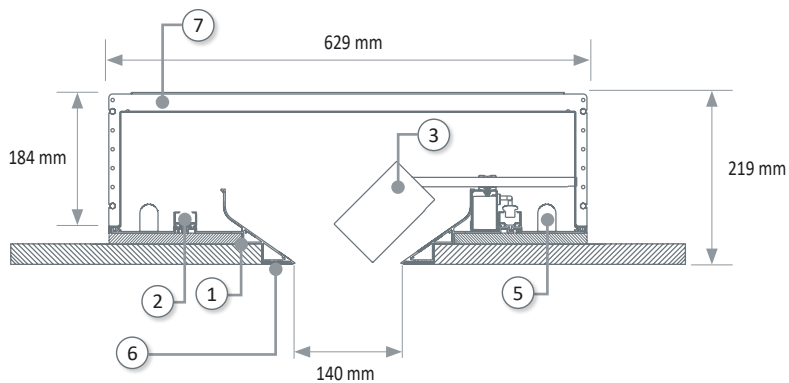


GORGES LED

Architectural lighting groove system, without visible angles, incorporating adjustable LED spotlights. The system includes :

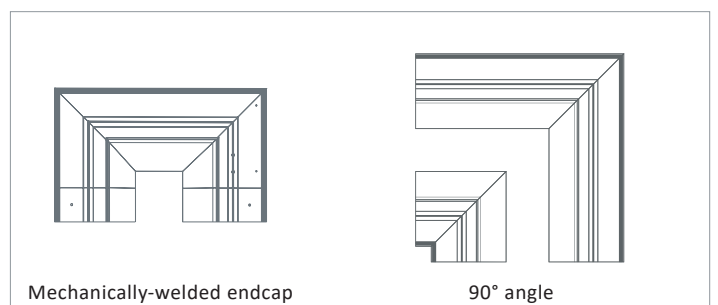
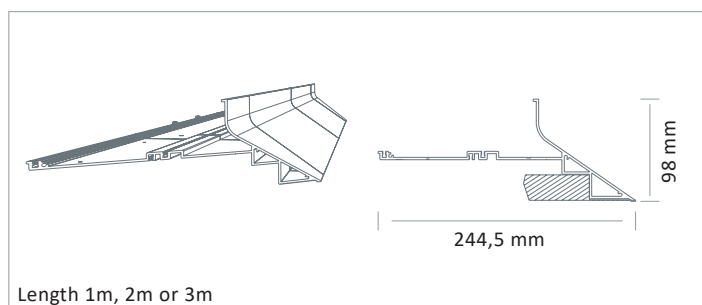
- Angles made of extruded aluminium profile (1m, 2m, 3m length)
- White or black 1-circuit tracks (1m, 2m, 3m, 4m length) and accessories
- Accent lighting LED projectors PR 5084-B LED
- Backlighting with batten LED luminaires RG 2509 (optional)
- **Accessorie(s)** : Mechanically-welded endcap, 90° angle

Dimensions



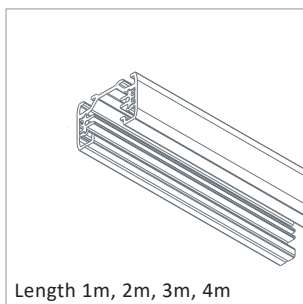
- ① Angle made of extruded aluminium profile
- ② 1-circuit track
- ③ PR 5084-B LED projector
- ⑤ Backlighting with batten LED luminaire (optional)
- ⑥ Finish coating
- ⑦ Optional box

ALUMINIUM PROFILE

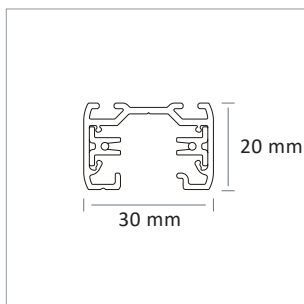


GR 5084 LED

1 CIRCUIT TRACK



Length 1m, 2m, 3m, 4m



ACCENT LIGHTING - PR 5084-B LED

- Orientable projector for LED SPOT module, maximum 1 498 lumens
- MacAdam Ellipse : 2 SDCM
- CRI of 95
- Available in 3 000 K, 3 500 K and 4 000 K
- 50 000 hours lamp life (L80B50)
- Luminous efficiency of system up to 99 lm/W
- 1-circuits track adaptor
- Housing and box made of painted powder aluminium
- Static heat sink
- Optical silicone lens
- **Weight** : Approx. 1,20 kg
- **Driver(s)** : Fixe (C Fixed)
- **Option(s)** : Colour filters (FIL), Honeycomb diffuser



Colour(s)



Driver(s)



Standards

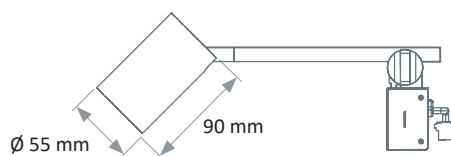
Class II | IP 20 | 650°

Beam(s)



Table below

Dimensions



ITEM	CONSUMPTION	LUMINOUS FLUX	SYSTEM EFFICIENCY	COLOUR TEMPERATURE	CRI	BEAMS	EFFICIENCY ENERGY CLASS
PR 5084-B LED 600-930	8,7W	600 lumens	68,6 lm/W	3000 K	95	11°/25°/35°	F
PR 5084-B LED 600-935	8,7W	600 lumens	68,6 lm/W	3500 K	95	11°/25°/35°	F
PR 5084-B LED 650-940	8,7W	663 lumens	75,8 lm/W	4000 K	95	11°/25°/35°	E
PR 5084-B LED 700-930	11,2W	717 lumens	63,7 lm/W	3000 K	95	11°/25°/35°	F
PR 5084-B LED 700-935	11,2W	717 lumens	63,7 lm/W	3500 K	95	11°/25°/35°	F
PR 5084-B LED 800-940	11,2W	793 lumens	70,5 lm/W	4000 K	95	11°/25°/35°	E
PR 5084-B LED 900-930	15W	893 lumens	59,3 lm/W	3000 K	95	11°/25°/35°	F
PR 5084-B LED 900-935	15W	893 lumens	59,3 lm/W	3500 K	95	11°/25°/35°	F
PR 5084-B LED 1000-940	15W	987 lumens	65,5 lm/W	4000 K	95	11°/25°/35°	E
PR 5084-B LED 800-930	8,6W	787 lumens	91,2 lm/W	3000 K	95	15°/25°/35°	E
PR 5084-B LED 800-935	8,6W	828 lumens	96 lm/W	3500 K	95	15°/25°/35°	D
PR 5084-B LED 850-940	8,6W	854 lumens	99 lm/W	4000 K	95	15°/25°/35°	D
PR 5084-B LED 950-930	11W	965 lumens	87,7 lm/W	3000 K	95	15°/25°/35°	E
PR 5084-B LED 1000-935	11W	1015 lumens	92,3 lm/W	3500 K	95	15°/25°/35°	D
PR 5084-B LED 1050-940	11W	1047 lumens	95,2 lm/W	4000 K	95	15°/25°/35°	D
PR 5084-B LED 1250-930	16W	1248 lumens	78 lm/W	3000 K	95	15°/25°/35°	E
PR 5084-B LED 1300-935	16W	1312 lumens	82 lm/W	3500 K	95	15°/25°/35°	D
PR 5084-B LED 1350-940	16W	1354 lumens	84,6 lm/W	4000 K	95	15°/25°/35°	D
PR 5084-B LED 1400-930	17,1W	1381 lumens	80,6 lm/W	3000 K	95	15°/25°/35°	E
PR 5084-B LED 1450-935	17,1W	1452 lumens	84,8 lm/W	3500 K	95	15°/25°/35°	D
PR 5084-B LED 1500-940	17,1W	1498 lumens	87,5 lm/W	4000 K	95	15°/25°/35°	D

INDIRECT LIGHTING - RG 2509 LED



Colour(s)



Driver(s)



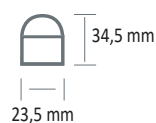
Standards

Class I | IP 20 | 650°

Beam(s)



Dimensions



ITEM	LENGTH (MM)	MAX NUMBER OF BATTEN LUMINAIRES / LINE	POWER	LUMINOUS FLUX	SYSTEM EFFICIENCY	COLOUR TEMPERATURE	CRI
RG 2509 LED-466-840	307	20	5W	466 lumens	93 lm/W	4000 K	80
RG 2509 LED-895-840	568	15	9W	895 lumens	99,5 lm/W	4000 K	80
RG 2509 LED-1262-840	868	12	12W	1262 lumens	105 lm/W	4000 K	80
RG 2509 LED-1592-840	1168	10	15W	1592 lumens	106 lm/W	4000 K	80
RG 2509 LED-1781-840	1438	8	18W	1781 lumens	99 lm/W	4000 K	80
RG 2509 LED-425-830	307	20	5W	425 lumens	85 lm/W	3000 K	80
RG 2509 LED-837-830	568	15	9W	837 lumens	93 lm/W	3000 K	80
RG 2509 LED-1181-830	868	12	12W	1181 lumens	98,5 lm/W	3000 K	80
RG 2509 LED-1491-830	1168	10	15W	1491 lumens	99,5 lm/W	3000 K	80
RG 2509 LED-1734-830	1438	8	18W	1734 lumens	96,5 lm/W	3000 K	80