

PR 5084-C LED



LED PROJECTORS

- Orientable projector for LED SPOT module, maximum 1 313 lumens
- CRI of 97
- MacAdam Ellipse: 3 SDCM
- Available in 3 000 K or 4 000 K
- 50 000 hours lamp life (L80B10)
- Luminous efficiency of system up to 90 lm/W
- 48V rail adapter with integrated driver
- Housing made of powder die-cast aluminium
- Static heat sink
- Optical silicone lens
- **Weight** : approx. 0,5 kg
- **Driver(s)**: Fixe (C Fixed), Dimmable driver DALI (CDIMMDALI)
- **Option(s)** : Elliptical optics, Honeycomb diffuser (N.AB)

Driver(s)



Standards

Class I | IP 20 | 650°

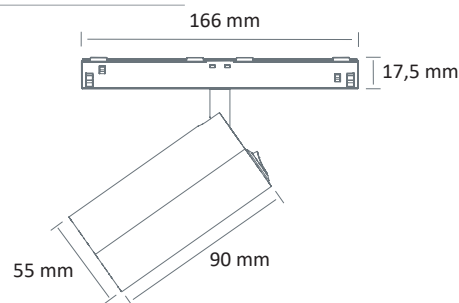
Efficiency energy class



Beam(s)



Dimensions



ITEM	CONSUMPTION	LUMINOUS FLUX	SYSTEM EFFICIENCY	COLOUR TEMPERATURE	CRI	BEAM
PR 5084-C LED 1100-930	14,59W	1144 lumens	78,42 lm/W	3000 K	97	16°/25°/36°
PR 5084-C LED 1300-940	14,59W	1313 lumens	90 lm/W	4000 K	97	16°/25°/36°

