

## PR 5084-H ZOOM LED

## LED PROJECTORS

- Orientable projector for LED SPOT module, maximum 1 498 lumens
- CRI of 95
- MacAdam Ellipse: 2 SDCM
- Available in 3 000 K, 3 500 K and 4 000 K
- 50 000 hours lamp life (L80B10)
- Luminous efficiency of system up to 95,3 lm/W
- 3-circuits track adaptor with integrated driver
- Housing made of painted powdered aluminium
- Static heat sink
- Optical silicone lens
- **Weight:** approx. 0,5 kg
- **Driver(s):** Fixed, Dimmable driver DALI (CDIMMDALI)

### Driver(s)



### Standards

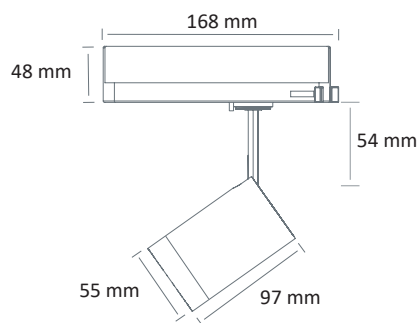
Class II | IP 20 | 650°

### Beam(s)



See Table

### Dimensions



### Colour(s)



ITEM	CONSUMPTION	LUMINOUS FLUX	SYSTEM EFFICIENCY	COLOUR TEMPERATURE	CRI	BEAM	OPTION DALI	EFFICIENCY ENERGY CLASS
PR 5084-H-ZOOM LED 800-930	8,9W	787 lumens	87,8 lm/W	3000 K	95	14° à 46°	NO	E
PR 5084-H-ZOOM LED 800-935	8,9W	828 lumens	92,4 lm/W	3500 K	95	14° à 46°	NO	D
PR 5084-H-ZOOM LED 850-940	8,9W	854 lumens	95,3 lm/W	4000 K	95	14° à 46°	NO	D
PR 5084-H-ZOOM LED 950-930	11W	965 lumens	87,7 lm/W	3000 K	95	14° à 46°	NO	E
PR 5084-H-ZOOM LED 1000-935	11W	1015 lumens	92,3 lm/W	3500 K	95	14° à 46°	NO	D
PR 5084-H-ZOOM LED 1050-940	11W	1047 lumens	95,2 lm/W	4000 K	95	14° à 46°	NO	D
PR 5084-H-ZOOM LED 1250-930	15,4W	1248 lumens	80,9 lm/W	3000 K	95	14° à 46°	YES	E
PR 5084-H-ZOOM LED 1300-935	15,4W	1312 lumens	85,1 lm/W	3500 K	95	14° à 46°	YES	D
PR 5084-H-ZOOM LED 1350-940	15,4W	1354 lumens	87,8 lm/W	4000 K	95	14° à 46°	YES	D
PR 5084-H-ZOOM LED 1400-930	17,9W	1381 lumens	76,9 lm/W	3000 K	95	14° à 46°	YES	E
PR 5084-H-ZOOM LED 1450-935	17,9W	1452 lumens	80,9 lm/W	3500 K	95	14° à 46°	YES	D
PR 5084-H-ZOOM LED 1500-940	17,9W	1498 lumens	83,4 lm/W	4000 K	95	14° à 46°	YES	D

### Beam adjustment



Beam adjustable by rotation of the front ring of the projector