

PR 5084-D LED 48V



LED PROJECTORS

- Orientable projector for LED SPOT module, maximum 1498 lumens
- CRI of 95
- MacAdam Ellipse: 2 SDCM
- Available in 3 000 K, 3 500 K and 4 000 K
- 50 000 hours lamp life (L80B10)
- Luminous efficiency of system up to 120,5 lm/W
- 48V rail adapter with integrated driver
- Housing made of powder die-cast aluminium
- Static heat sink
- Optical silicone lens
- **Weight** : approx. 0,5 kg
- **Driver(s)**: Fixe (C Fixed), Dimmable driver DALI (CDIMMDALI)
- **Option(s)** : Elliptical optics, Honeycomb diffuser (N.AB)

Driver(s)



Standards

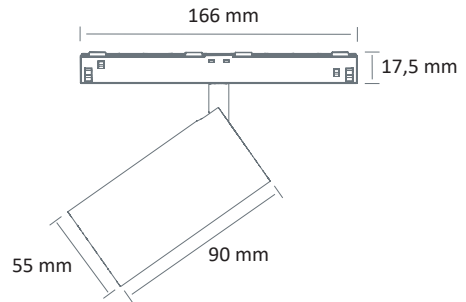
Class II | IP 20 | 650°

Beam(s)



See Table

Dimensions



ITEM	CONSUMPTION	LUMINOUS FLUX	SYSTEM EFFICIENCY	COLOUR TEMPERATURE	CRI	BEAM	EFFICIENCY ENERGY CLASS
PR 5084-D LED 48V 700-930	10,6W	717 lumens	67,7 lm/W	3000 K	95	11°	E
PR 5084-D LED 48V 700-935	10,6W	717 lumens	67,7 lm/W	3500 K	95	11°	D
PR 5084-D LED 48V 800-940	10,6W	793 lumens	74,9 lm/W	4000 K	95	11°	D
PR 5084-D LED 48V 900-930	15,4W	893 lumens	57,9 lm/W	3000 K	95	11°	E
PR 5084-D LED 48V 1000-935	15,4W	893 lumens	57,9 lm/W	3500 K	95	11°	D
PR 5084-D LED 48V 1000-940	15,4W	987 lumens	64 lm/W	4000 K	95	11°	D
PR 5084-D LED 48V 1000-930	10,3W	965 lumens	93,7 lm/W	3000 K	95	15°/25°/35°	E
PR 5084-D LED 48V 1000-935	10,3W	1015 lumens	98 lm/W	3500 K	95	15°/25°/35°	D
PR 5084-D LED 48V 1050-940	10,3W	1047 lumens	101,1 lm/W	4000 K	95	15°/25°/35°	D
PR 5084-D LED 48V 1250-930	10,3W	1248 lumens	120,5 lm/W	3000 K	95	15°/25°/35°	E
PR 5084-D LED 48V 1300-935	15W	1312 lumens	87,1 lm/W	3500 K	95	15°/25°/35°	D
PR 5084-D LED 48V 1350-940	15W	1354 lumens	89,9 lm/W	4000 K	95	15°/25°/35°	D
PR 5084-D LED 48V 1400-930	17,5W	1381 lumens	78,8 lm/W	3000 K	95	15°/25°/35°	E
PR 5084-D LED 48V 1450-935	17,5W	1452 lumens	82,8 lm/W	3500 K	95	15°/25°/35°	D
PR 5084-D LED 48V 1500-940	17,5W	1498 lumens	85,5 lm/W	4000 K	95	15°/25°/35°	D