

PR 5056-ELLIPTIC LED



Colour(s)



LED PROJECTORS

- Orientable projector for LED SPOT module, maximum 4853 lumens
- CRI of 80 or 90
- MacAdam Ellipse: 3 SDCM
- Available in 2 500 K, 3 000 K, 4 000 K
- 50 000 hours lamp life (L80B10)
- Luminous efficiency of system up to 144,5 lm/W
- 3-circuits track adaptor with integrated driver
- Head of spot made of die-cast aluminium
- Static heat sink
- **Weight:** approx. 0,9 kg
- **Driver(s) :** Fixed, Dimmable driver DALI (CDIMMDALI), Casambi Driver
- **Photobiological risk group 0**

Driver(s)



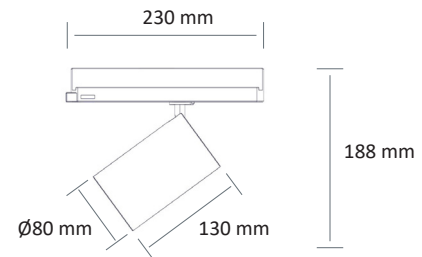
Standards

Class II | IP 20 | 650° | GP0

Beam(s)

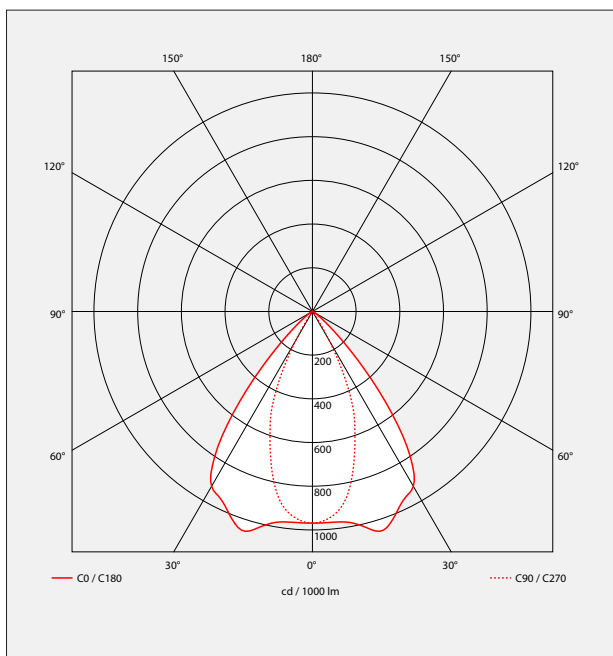


Dimensions



■ LIGHT DISTRIBUTION

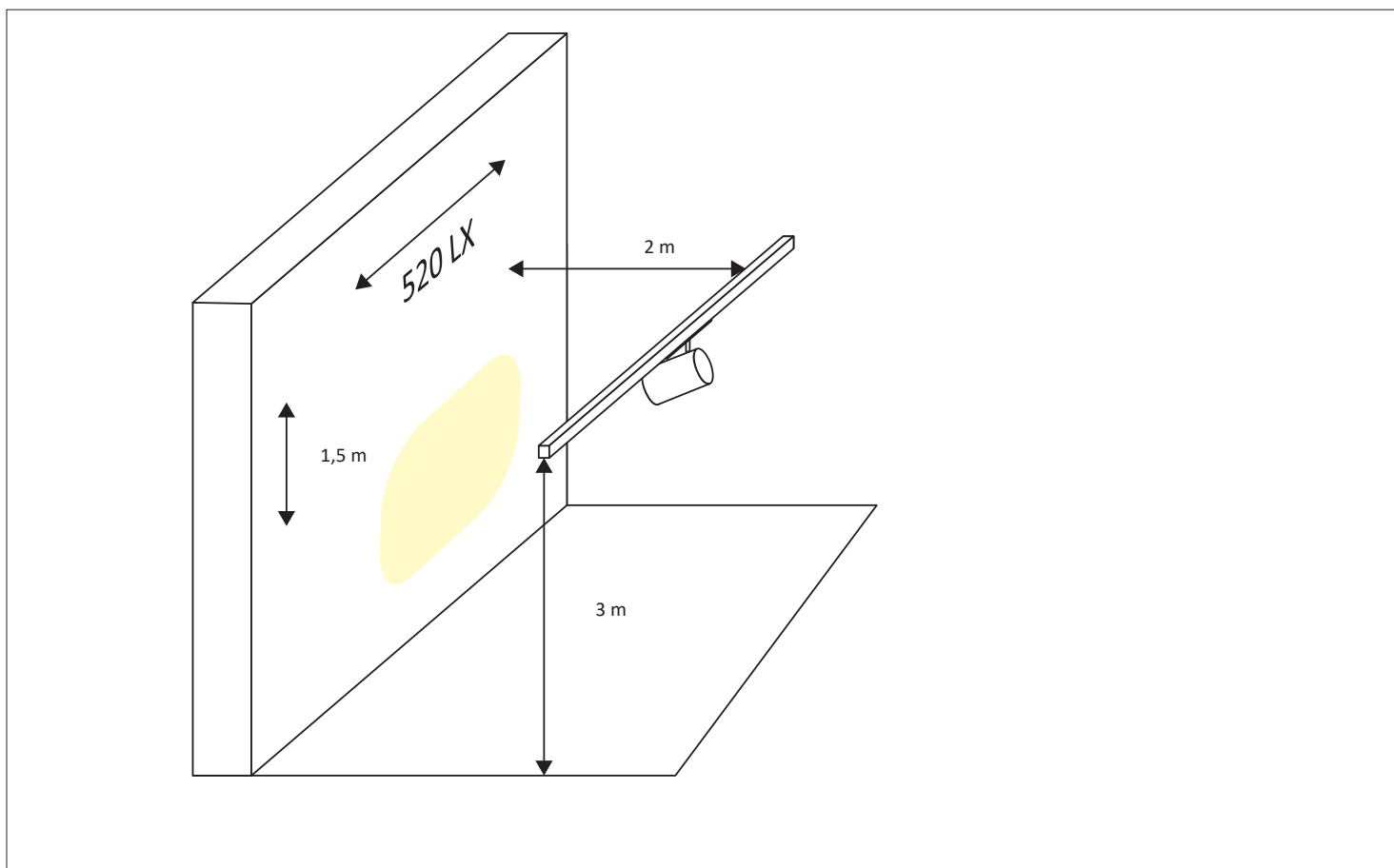
Elliptic beams
LOR 92%



PR 5056-ELLIPTIC LED

ITEM	SECTION	POWER	CONSUMPTION	LUMINOUS FLUX	SYSTEM EFFICIENCY	COLOUR TEMPERATURE	CRI	EFFICIENCY ENERGY CLASS
PR 5056-ELL LED 2200-925-boulangerie	Bakery	23,3W	28,4W	2213 lumens	78 lm/W	2500 K	90	-
PR 5056-ELL LED 2700-925-boulangerie	Bakery	28,7W	33,8W	2635 lumens	78 lm/W	2500 K	90	-
PR 5056-ELL LED 2700-925-boulangerie	Butchery	23,2W	28,4W	2297 lumens	81 lm/W	3000 K	90	-
PR 5056-ELL LED 2700-930-boucherie	Butchery	28,7W	33,8W	2737 lumens	81 lm/W	3000 K	90	-
PR 5056-ELL LED 3400-930	-	23,4W	28,2W	3411 lumens	121 lm/W	3000 K	90	E
PR 5056-ELL LED 3600-940	-	23,4W	28,2W	3578 lumens	127 lm/W	4000 K	90	E
PR 5056-ELL LED 3900-830	-	23,6W	28,8W	3882 lumens	135 lm/W	3000 K	80	D
PR 5056-ELL LED 4100-840	-	23,4W	28,2W	4071 lumens	144,5 lm/W	4000 K	80	D
PR 5056-ELL LED 4000-930	-	28,8W	33,8W	4071 lumens	121 lm/W	3000 K	90	E
PR 5056-ELL LED 4300-940	-	28,8W	33,8W	4272 lumens	127 lm/W	4000 K	90	E
PR 5056-ELL LED 4600-830	-	29W	34,1W	4640 lumens	136 lm/W	3000 K	80	D
PR 5056-ELL LED 4900-840	-	28,8W	33,8W	4853 lumens	143,5 lm/W	4000 K	80	D

CONFIGURATION



UPDATE (J)/NM/(A) : 01/02/2022