



Coulour(s)



PROFILES ■ LED

- Ovoid lighting system with direct and indirect lighting for TL5 or TL-D fluorescent lamps, maximum 80W
- Can be mounted continuous row
- Circular section, size 500x320 mm
- Steel white (GLB), frosted (VS) glass, clear (DC), opal (DO) or grooved and clear (DSC) diffuser made of polycarbonate
- Suspended luminaire by threaded rod for easier installation
- Housing made of extruded aluminium profile
- Endcap made of aluminium
- **Gears** : Electronic (EVG), Dimmable electronic (EVG DIMM), Dimmable electronic DALI (EVG DIMM DALI)
- **Options** : Lighting sensor and-or movement detector (CEL)

Driver(s)



Efficiency energy class



Standards

Class I | to IK02 from IK07 | 850°

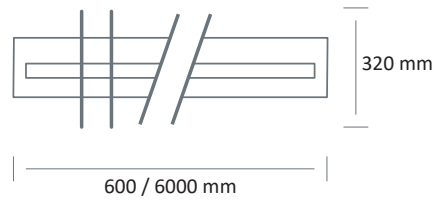
Luminaire(s)



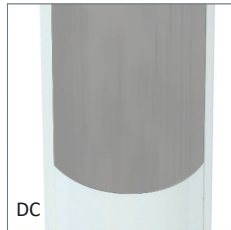
Profile(s)



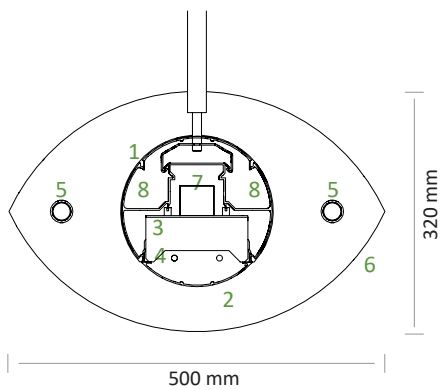
Dimensions



OPTICALS

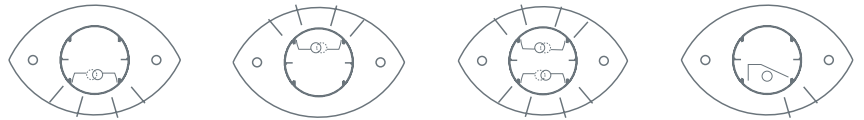


## CROSS SECTION

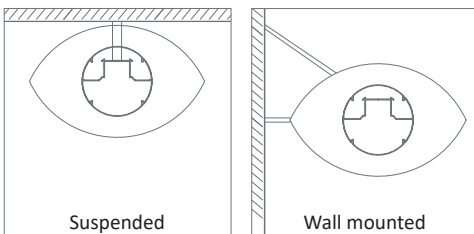


- 1 Body made of extruded aluminium profile
- 2 Extruded aluminium cover or diffuser
- 3 Lighting tray and aluminium reflector
- 4 Aluminium louvre with transverse blades
- 5 Stainless steel tube
- 6 Polished stainless steel sheet
- 7 Lighting wiring
- 8 Cable tray compartment

## LIGHTING CONFIGURATION



## FIXING



Suspended

Wall mounted

## ACCESSORIES

