

PROFILES ■ LED

- Tubular lighting system with direct and indirect lighting for TL5 or TL-D fluorescent lamps, maximum 80W
- Can be mounted continuous row
- Circular section, diameter 200 mm
- Steel white (GLB), frosted (VS) glass, clear (DC), opal (DO) or grooved and clear (DSC) diffuser made of polycarbonate
- Suspended luminaire by threaded rod for easier installation
- Housing made of extruded aluminium profile
- Endcap made of aluminium
- **Gears** : Electronic (EVG), Dimmable electronic (EVG DIMM), Dimmable electronic DALI (EVG DIMM DALI)
- **Options** : Lighting sensor and-or movement detector (CEL)

Driver(s)



Standards

Class I | IK07 | 850°

Efficiency energy class

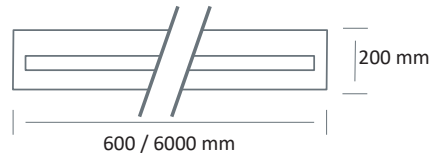


Profile(s)

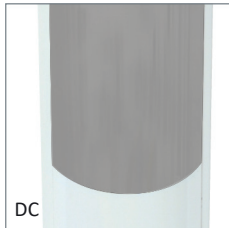


Dimensions

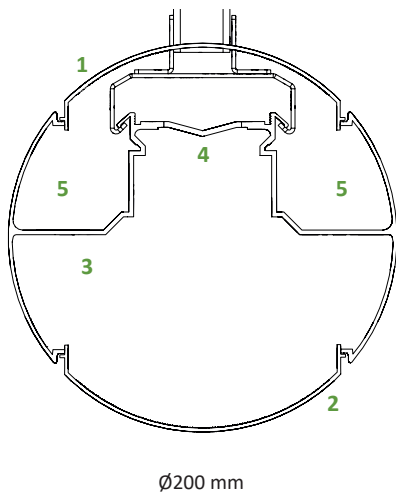
Luminaire(s)



OPTICALS



CROSS SECTION

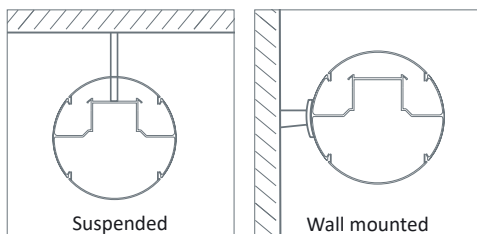


- 1 Body made of extruded aluminium profile
- 2 Extruded aluminium cover or diffuser
- 3 Lighting tray and aluminium reflector
- 4 Lighting wiring
- 5 Cable tray compartment

LIGHTING CONFIGURATION



FIXING



ACCESSORIES

