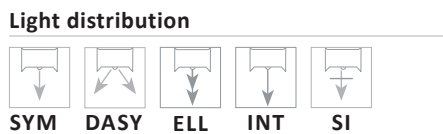


LS 5017-J LED

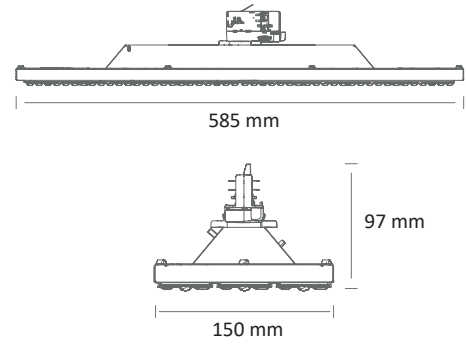


TRACK SUSPENDED LUMINAIRE

- Track suspended luminaire for LINEAR LED module(s), maximum 12 600 lumens
- CRI of 80
- MacAdam Ellipse: 3 SDCM
- Available in 3 000 K and 4 000 K
- 50 000 hours lamp life (L90B10)
- Luminous efficiency of system up to 180,6 lm/W
- 3 circuits track adaptor
- Housing made of prelacquered steel
- Cluster optical with lens, made of Polycarbonate (PC)
- Static heat sink
- Optical compartment protected against shocks and dust
- **Weight:** approx. 2 kg
- **Driver(s):** Fixed, Dimmable driver DALI (CDIMMDALI)
- **Option:** rotation blocking in the axis and at 90 °
- **Photobiological risk group RG0**

Driver(s)	Standards
	Class I IP 20 650° IK 10

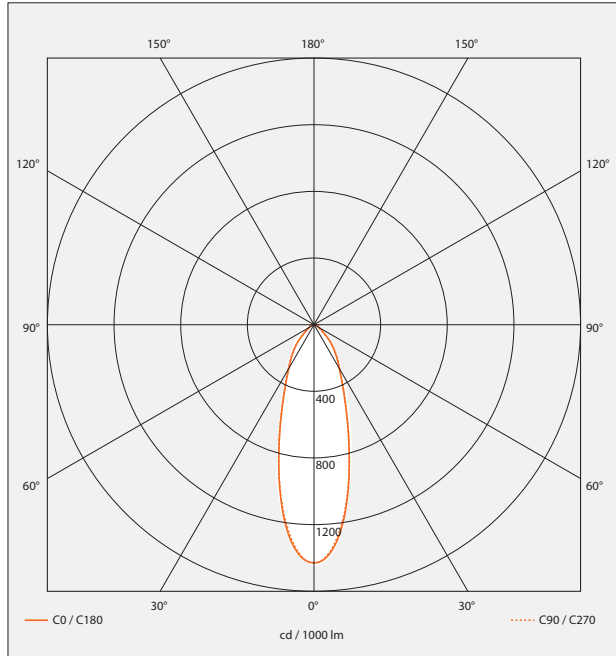
Dimensions



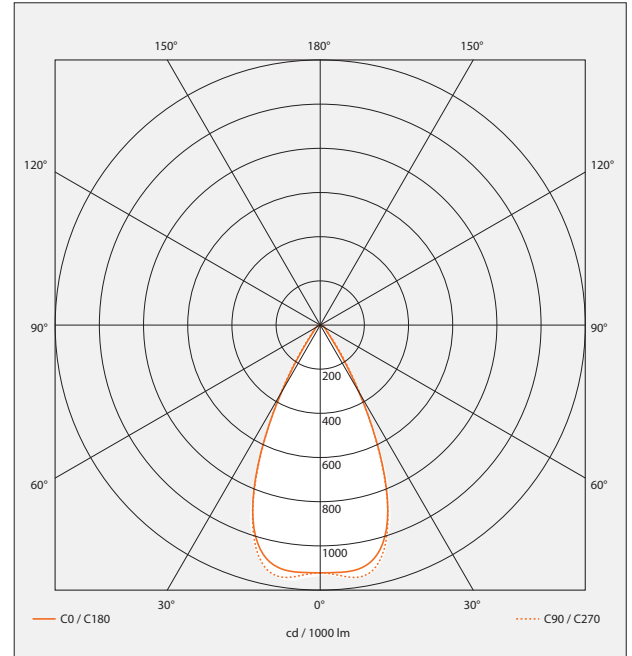
ITEM	POWER	CONSUMPTION	LUMINOUS FLUX	SYSTEM EFFICIENCY	COLOUR TEMPERATURE	CRI	EFFICIENCY ENERGY CLASS
LS 5017-J LED 6600-830	34,5W	38,3W	6390 lumens	166,7 lm/W	3000 K	80	C
LS 5017-J LED 6600-840	34,5W	38,3W	6720 lumens	175,3 lm/W	4000 K	80	C
LS 5017-J LED 8500-830	50,1W	53,9W	8820 lumens	163,7 lm/W	3000 K	80	C
LS 5017-J LED 8500-840	50,1W	53,9W	9270 lumens	172 lm/W	4000 K	80	C
LS 5017-J LED 10500-830	55,6W	59,8W	10290 lumens	172,1 lm/W	3000 K	80	C
LS 5017-J LED 10500-840	55,6W	59,8W	10800 lumens	180,6 lm/W	4000 K	80	C
LS 5017-J LED 12000-830	66,4W	71,4W	12000 lumens	168 lm/W	3000 K	80	C
LS 5017-J LED 12000-840	66,4W	71,4W	12600 lumens	176,5 lm/W	4000 K	80	C

LIGHT DISTRIBUTION

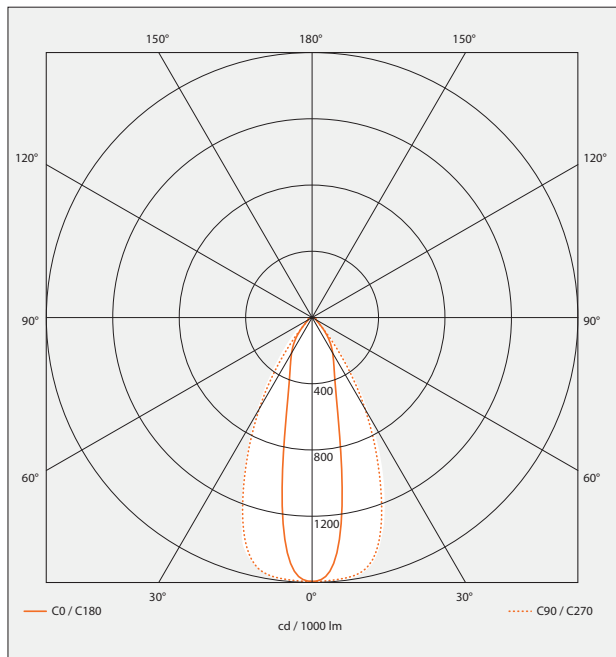
Intensive light distribution
LOR 90 %



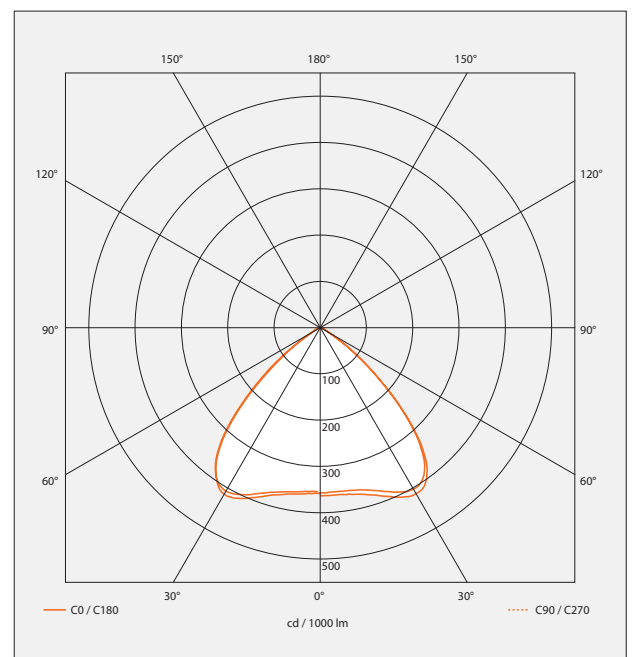
Semi-intensive light distribution
LOR 96 %



Elliptical light distribution
LOR 96,5 %



Symmetrical light distribution
LOR 97 %



■ LIGHT DISTRIBUTION

Double Asymmetric light distribution
LOR 97 %



DASY

