

# EO 5084-A LED TRIM

## ORIENTABLE AND ADJUSTABLE . LED

- Recessed orientable spotlight for LED SPOT module, maximum 1 498 lumens
- CRI of 95
- MacAdam Ellipse: 2 SDCM
- Available in 3 000 K, 3 500 K and 4 000 K
- 50 000 hours lamp life (L80B10)
- Luminous efficiency of system up to 99 lm/W
- Springs in pressure for easier installation
- Cast aluminum flange
- Static heat sink
- **Weight:** Approx. 1 kg
- **Driver(s):** Fixed, Dimmable driver DALI (CDIMMDALI)
- **Option(s) :** Elliptical optic, honeycomb



### Driver(s)



### Standards

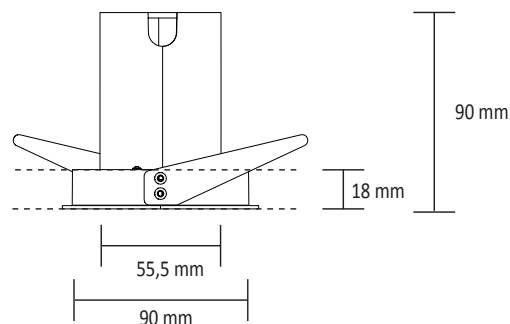
Class II | IP 20 | 650°

### Beam(s)



See table

### Dimensions



### Colour(s)



Ø83 mm



ITEM	CONSUMPTION	LUMINOUS FLUX	SYSTEM EFFICIENCY	COLOUR TEMPERATURE	CRI	BEAMS	EFFICIENCY ENERGY CLASS
EO 5084-A LED 600-930	8,7W	600 lumens	68,6 lm/W	3000 K	95	11°	F
EO 5084-A LED 600-935	8,7W	600 lumens	68,6 lm/W	3500 K	95	11°	F
EO 5084-A LED 650-940	8,7W	663 lumens	75,8 lm/W	4000 K	95	11°	E
EO 5084-A LED 700-930	11,2W	717 lumens	63,7 lm/W	3000 K	95	11°	F
EO 5084-A LED 700-935	11,2W	717 lumens	63,7 lm/W	3500 K	95	11°	F
EO 5084-A LED 800-940	11,2W	793 lumens	70,5 lm/W	4000 K	95	11°	E
EO 5084-A LED 900-930	15W	893 lumens	59,3 lm/W	3000 K	95	11°	F
EO 5084-A LED 900-935	15W	893 lumens	59,3 lm/W	3500 K	95	11°	F
EO 5084-A LED 1000-940	15W	987 lumens	65,5 lm/W	4000 K	95	11°	E
EO 5084-A LED 800-930	8,6W	787 lumens	91,2 lm/W	3000 K	95	15°/25°/35°	E
EO 5084-A LED 800-935	8,6W	828 lumens	96 lm/W	3500 K	95	15°/25°/35°	D
EO 5084-A LED 850-940	8,6W	854 lumens	99 lm/W	4000 K	95	15°/25°/35°	D
EO 5084-A LED 950-930	11W	965 lumens	87,7 lm/W	3000 K	95	15°/25°/35°	E
EO 5084-A LED 1000-935	11W	1015 lumens	92,3 lm/W	3500 K	95	15°/25°/35°	D
EO 5084-A LED 1050-940	11W	1047 lumens	95,2 lm/W	4000 K	95	15°/25°/35°	D
EO 5084-A LED 1250-930	16W	1248 lumens	78 lm/W	3000 K	95	15°/25°/35°	E
EO 5084-A LED 1300-935	16W	1312 lumens	82 lm/W	3500 K	95	15°/25°/35°	D
EO 5084-A LED 1350-940	16W	1354 lumens	84,6 lm/W	4000 K	95	15°/25°/35°	D
EO 5084-A LED 1400-930	17,1W	1381 lumens	80,6 lm/W	3000 K	95	15°/25°/35°	E
EO 5084-A LED 1450-935	17,1W	1452 lumens	84,8 lm/W	3500 K	95	15°/25°/35°	D
EO 5084-A LED 1500-940	17,1W	1498 lumens	87,5 lm/W	4000 K	95	15°/25°/35°	D