

# LE PALMA LED 600X600



## Colour(s)



## RECESSED LUMINAIRES ■ LED

- Recessed luminaire for LINEAR LED module, maximum 3500 lumens
- CRI of 80
- MacAdam Ellipse: 4 SDCM
- Available in 4 000 K
- 50 000 hours lamp life (L70B50)
- Luminous efficiency of system up to 109 lm/W
- Housing made of painted steel
- **UGR < 19**
- **Driver(s)** : Fixed, Dimmable driver DALI (CDIMMDALI)
- **Option(s)** : Safety line

### Driver(s)



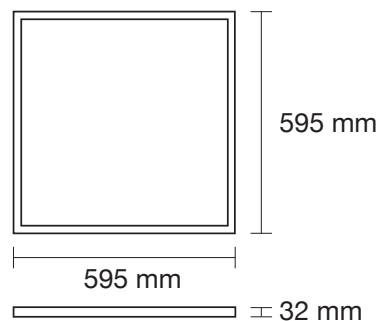
### Standards

Class II | IP 20 | IK 02 | 90° | RGO

### Beam(s)



### Dimensions



ITEM	CONSUMPTION	LUMINOUS FLUX	SYSTEM EFFICIENCY	COLOUR TEMPERATURE	CRI	EFFICIENCY ENERGY CLASS
LE PALMA LED-600x600 3000-830	32W	3200 lumens	100 lm/W	3000 K	80	C
LE PALMA LED-600x600 3500-840	32W	3500 lumens	109 lm/W	4 000 K	80	C