

PR 5051-C LED



Colour(s):



WALL WASHERS LED

- Orientable track suspended luminaire, LED SPOT module, maximum 4 685 lumens
- CRI of 80 or 90
- MacAdam Ellipse: 2 SDCM
- Available in 2 500 K, 3 000 K or 4 000 K
- 50 000 hours lamp life (L80B10)
- Luminous efficiency of system up to 135,4 lm/W
- 3-circuits track adaptor
- Housing made of painted steel
- Static heat sink
- **Weight:** approx. 1,5 kg
- **Driver(s):** Fixed, DALI Gradation Converter (CDIMMDALI)

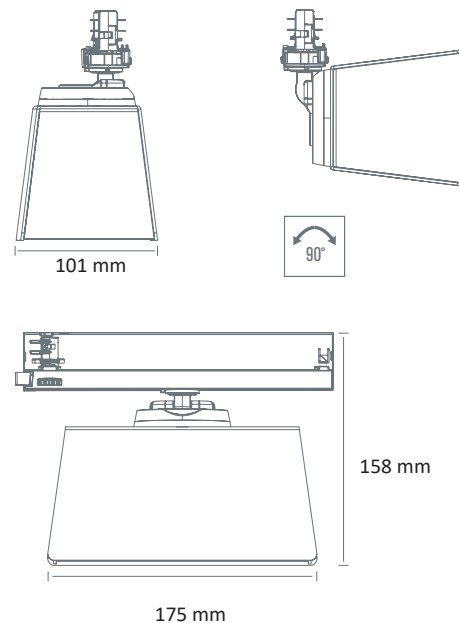
Driver(s)



Standards

Class I | IP 20 | 650°

Dimensions



PERFORMANCES

ITEM	SECTION	POWER	CONSUMPTION	LUMINOUS FLUX	SYSTEM EFFICIENCY	COLOUR TEMPERATURE	CRI	SYSTEM EFFICIENCY
PR 5051-C LED 2200-925	Bakery	23,7 W	27,9 W	2171 lumens	77,9 lm/W	2500 K	90	-
PR 5051-C LED 2300-930	Butchery	23,7 W	27,9 W	2158 lumens	74,4 lm/W	3000 K	90	-
PR 5051-C LED 3300-930	-	23,9 W	28,7 W	3281 lumens	114 lm/W	3000 K	90	E
PR 5051-C LED 3400-940	-	23,9 W	28,7 W	3384 lumens	118 lm/W	4000 K	90	E
PR 5051-C LED 3700-830	-	23,9 W	28,7 W	3714 lumens	127,7 lm/W	3000 K	80	D
PR 5051-C LED 3900-840	-	23,9 W	28,7 W	3949 lumens	137,5 lm/W	4000 K	80	D
PR 5051-C LED 3900-930	-	29,4 W	34,6 W	3899 lumens	112,6 lm/W	3000 K	90	E
PR 5051-C LED 4000-940	-	29,4 W	34,6 W	4022 lumens	116 lm/W	4000 K	90	E
PR 5051-C LED 4400-830	-	29,4 W	34,6 W	4415 lumens	127,5 lm/W	3000 K	80	D
PR 5051-C LED 4700-840	-	29,4 W	34,6 W	4685 lumens	135,4 lm/W	4000 K	80	D