

# EO 2535 LED



## Colour(s)



Ø127 mm



## ORIENTABLE AND ADJUSTABLE . LED

- Circular recessed orientable spotlight for LED SPOT module, maximum 3235 lumens
- CRI of 90
- MacAdam Ellipse : 2 SDCM
- Available in 3 000 K and 4 000 K
- 50 000 hours lamp life (L80B10)
- Luminous efficiency of system up to 136,5 lm/W
- Springs in pressure for easier installation
- Ring made of die-cast aluminium
- Static heat sink
- **Weight:** Approx. 1 kg
- **Driver(s):** Fixed, Dimmable driver DALI (CDIMMDALI)
- **Option(s):** Fast connector (CORD)

### Driver(s)



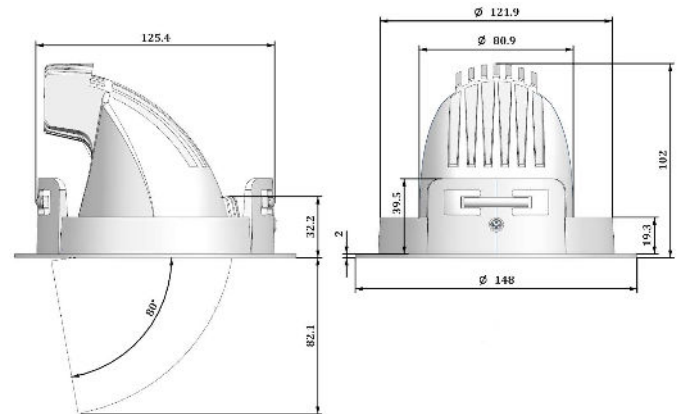
### Standards

Class I | IP 20 | 650°

### Beam(s)



### Dimensions



ITEM	CONSUMPTION	LUMINOUS FLUX	SYSTEM EFFICIENCY	COLOUR TEMPERATURE	CRI
EO 2535 LED 2000-930	16,5 W	1920 lumens	116,4 lm/W	3000 K	90
EO 2535 LED 2000-940	16,5 W	2020 lumens	122,4 lm/W	4000 K	90
EO 2535 LED 3000-930	23,7W	3128 lumens	132 lm/W	3000 K	90
EO 2535 LED 3000-940	23,7W	3235 lumens	136,5 lm/W	4000 K	90