

PL 5140-A LED



Colour(s)



RECESSED LUMINAIRE ■ LED

- Ceiling mounted luminaire for LED SPOT module, maximum 4 657 lumens
- CRI of 80 or 90
- MacAdam Ellipse : 2 SDCM
- Available in 2 700 K, 3 000 K, 3 500 K and 4 000 K
- 50 000 hours lamp life (L80B10)
- Luminous efficiency of system up to 161,5 lm/W
- Aluminium reflective optics
- **Weight** : Approx. 1 kg
- **Driver(s)** : Fixed, Dimmable DALI (CDIMMDALI), Cambi, Connect
- **Option(s)** : Fast connector (CORD)
- Photobiological risk group 1

Driver(s)



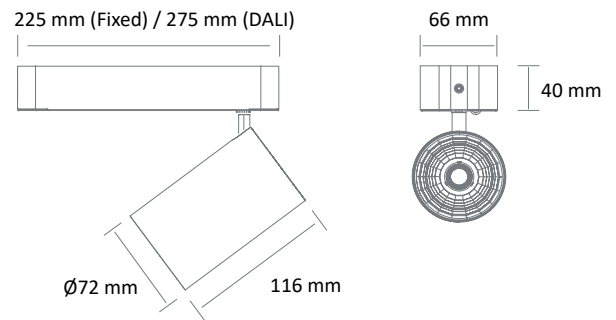
Standards

Class I | IP 20 | 650° | RG1

Beam(s)



Dimensions



Performance of the components CRI 80 & 90

| ITEM | SECTION | POWER | CONSUMPTION | LUMINOUS FLUX | SYSTEM EFFICIENCY | COLOUR TEMPERATURE | CRI | EFFICIENCY ENERGY CLASS |
|------------------------|----------|--------|-------------|---------------|-------------------|--------------------|-----|-------------------------|
| PL 5140-A LED 3600-927 | Bakery | 24,1 W | 26,8 W | 3567 lumens | 133,2 lm/W | 2700 K | 90 | - |
| PL 5140-A LED 2700-930 | Butchery | 29,4 W | 32,7 W | 2733 lumens | 83,7 lm/W | 3000 K | 90 | - |
| PL 5140-A LED 3300-930 | - | 23,9 W | 26,5 W | 3358 lumens | 126,7 lm/W | 3000 K | 90 | E |
| PL 5140-A LED 3400-940 | - | 23,9 W | 26,5 W | 3442 lumens | 129,9 lm/W | 4000 K | 90 | E |
| PL 5140-A LED 3600-830 | - | 23,8 W | 26,4 W | 3673 lumens | 138,9 lm/W | 3000 K | 80 | D |
| PL 5140-A LED 3800-840 | - | 23,8 W | 26,4 W | 3931 lumens | 148,7 lm/W | 4000 K | 80 | D |
| PL 5140-A LED 4000-930 | - | 29,4 W | 32,7 W | 4005 lumens | 122,4 lm/W | 3000 K | 90 | E |
| PL 5140-A LED 4000-940 | - | 29,4 W | 32,7 W | 4092 lumens | 125,1 lm/W | 4000 K | 90 | E |
| PL 5140-A LED 4400-830 | - | 29,4 W | 32,7 W | 4351 lumens | 133 lm/W | 3000 K | 80 | D |
| PL 5140-A LED 4700-840 | - | 29,4 W | 32,7 W | 4657 lumens | 142,4 lm/W | 4000 K | 80 | D |

High efficiency performance of the components (HE) CRI 90

| ITEM | ELIGIBILITY CEE | POWER | CONSUMPTION | LUMINOUS FLUX | SYSTEM EFFICIENCY | COLOUR TEMPERATURE | CRI | EFFICIENCY ENERGY CLASS |
|---------------------------|-----------------|--------|-------------|---------------|-------------------|--------------------|-----|-------------------------|
| PL 5140-A LED HE 3000-930 | CEE | 16,8 W | 18,7 W | 3010 lumens | 161,3 lm/W | 3000 K | 90 | E |
| PL 5140-A LED HE 3000-935 | CEE | 16,8 W | 18,7 W | 2991 lumens | 160,2 lm/W | 3500 K | 90 | E |
| PL 5140-A LED HE 3000-940 | CEE | 16,8 W | 18,7 W | 3015 lumens | 161,5 lm/W | 4000 K | 90 | E |
| PL 5140-A LED HE 4000-930 | CEE | 24,1 W | 26,8 W | 4016 lumens | 150 lm/W | 3000 K | 90 | E |
| PL 5140-A LED HE 4000-935 | CEE | 24,1 W | 26,8 W | 3991 lumens | 149 lm/W | 3500 K | 90 | E |
| PL 5140-A LED HE 4000-940 | CEE | 24,1 W | 26,8 W | 4023 lumens | 150,2 lm/W | 4000 K | 90 | E |

UPDATE (MM/DD/YY) : 07/03/2024