

PL 5140-A LED



Colour(s)



RECESSED LUMINAIRES ■ LED

- Ceiling mounted luminaire for LED SPOT module, maximum 4 046 lumens
- CRI of 90
- MacAdam Ellipse : 2 SDCM
- Available in 2 700 K, 3 000 K, 3 500 K, 4 000 K and 5 000 K
- 50 000 hours lamp life (L80B10)
- Luminous efficiency of system up to 163 lm/W
- Aluminium reflective optics
- **Weight** : Approx. 1 kg
- **Driver(s)** : Fixed, Dimmable DALI, Cambi, Connect
- **Option(s)** : Fast connector (CORD)
- Photobiological risk group 1

Driver(s)



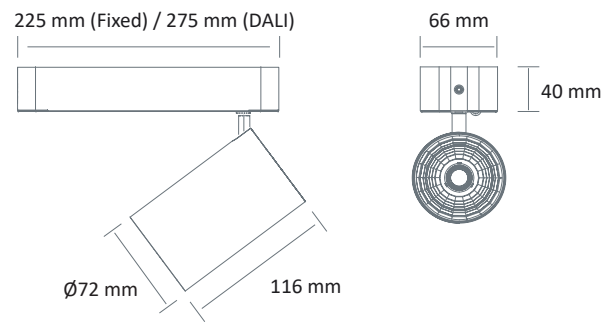
Standards

Class I | IP 20 | 650° | RG1

Beam(s)



Dimensions



Performance of specialized lighting modules

ITEM	SECTION	POWER	CONSUMPTION	LUMINOUS FLUX	SYSTEM EFFICIENCY	COLOUR TEMPERATURE	CRI	EFFICIENCY ENERGY CLASS
PL 5140-A LED 3600-927	Bakery	24,1 W	26,8 W	3567 lumens	133,2 lm/W	2700 K	90	-
PL 5140-A LED 2700-930	Butchery	29,4 W	32,7 W	2733 lumens	83,7 lm/W	3000 K	90	-
PL 5140-A LED 3000-950	Fishmonger's	16,8 W	18,5 W	3015 lumens	163 lm/W	5000 K	90	E
PL 5140-A LED 4000-950	Fishmonger's	24,1 W	26,5 W	4046 lumens	152,7 lm/W	5000 K	90	E

High efficiency performance of the components (HE) CRI 90 with R9>80

ITEM	POWER	CONSUMPTION	LUMINOUS FLUX	SYSTEM EFFICIENCY	COLOUR TEMPERATURE	CRI	EFFICIENCY ENERGY CLASS
PL 5140-A LED HE 3000-930	16,8 W	18,7 W	3010 lumens	161,3 lm/W	3000 K	90	E
PL 5140-A LED HE 3000-935	16,8 W	18,7 W	2991 lumens	160,2 lm/W	3500 K	90	E
PL 5140-A LED HE 3000-940	16,8 W	18,7 W	3015 lumens	161,5 lm/W	4000 K	90	E
PL 5140-A LED HE 4000-930	24,1 W	26,8 W	4016 lumens	150 lm/W	3000 K	90	E
PL 5140-A LED HE 4000-935	24,1 W	26,8 W	3991 lumens	149 lm/W	3500 K	90	E
PL 5140-A LED HE 4000-940	24,1 W	26,8 W	4023 lumens	150,2 lm/W	4000 K	90	E