

PR 5140-B LED ICOB GORGE



Colour(s)

□ □ □



LED PROJECTORS

- Orientable projector for LED SPOT, maximum 2 784 lumens
- CRI of 90
- MacAdam Ellipse : 2 SDCM
- Available in 3 000 K, 3 500 K and 4 000 K
- 50 000 hours lamp life (L80B10)
- Luminous efficiency of system up to 144,3 lm/W
- 3-circuits track adaptor with integrated driver
- Head of spot made of die-cast aluminium
- Deep sheath for an optimal visual comfort
- Polycarbonate lens optics
- Interchangeable ICOB module
- **Weight** : Approx. 0,9 kg
- **Driver(s)** : Fixed, Dimmable DALI (CDIMMDALI), Casambi, Connect
- Photobiological risk group 1

Driver(s)



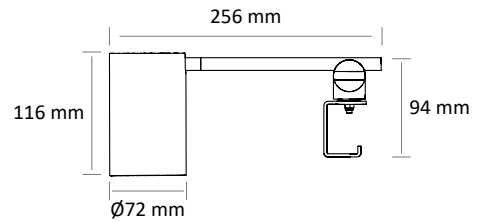
Standards

Class I | IP 20 | 650° | RG1

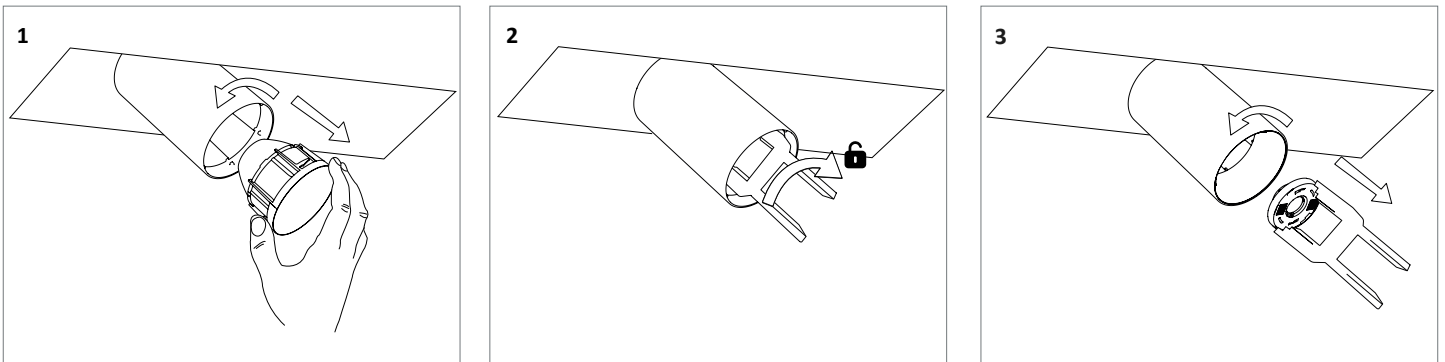
Beam(s)



Dimensions



ICOB version



PR 5140-B LED ICOB GORGE

High efficiency performance of the components (HE) CRI 90

| ITEM | POWER | CONSUMPTION | LUMINOUS FLUX | SYSTEM EFFICIENCY | COLOUR TEMPERATURE | CRI | EFFICIENCY ENERGY CLASS |
|--------------------------------------|--------|-------------|---------------|-------------------|--------------------|-----|-------------------------|
| PR 5140-B LED ICOB GORGE HE 2800-930 | 16,6 W | 19,3 W | 2771 lumens | 143,6 lm/W | 3000 K | 90 | E |
| PR 5140-B LED ICOB GORGE HE 2800-935 | 16,6 W | 19,3 W | 2752 lumens | 142,6 lm/W | 3500 K | 90 | E |
| PR 5140-B LED ICOB GORGE HE 3000-940 | 16,6 W | 19,3 W | 2784 lumens | 144,3 lm/W | 4000 K | 90 | E |