

PR 5140-B LED



LED PROJECTORS

- Orientable projector for LED SPOT module, maximum 4 023 lumens
- CRI of 90
- MacAdam Ellipse : 2 SDCM
- Available in 3 000 K, 3 500 K and 4 000 K
- 50 000 hours lamp life (L80B10)
- Luminous efficiency of system up to 161,5 lm/W
- 3-circuits track adaptor with integrated driver
- Head of spot made of die-cast aluminium
- Deep sheath for an optimal visual comfort
- Polycarbonate lens optics
- **Weight** : Approx. 0,9 kg
- **Driver(s)** : Fixed, Dimmable DALI, Casambi, Connect
- **Option(s)** : Concealed in-rail converter (Ghost)
- Photobiological risk group 1

Driver(s)



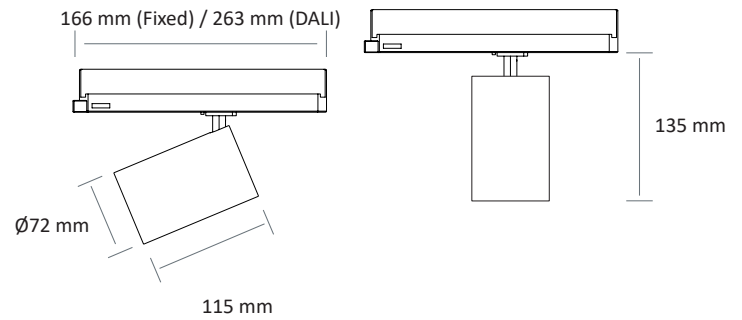
Standards

Class II | IP 20 | 650° | RG1

Beam(s)



Dimensions



High efficiency performance of the components (HE) CRI 90 with R9>80

ITEM	POWER	CONSUMPTION	LUMINOUS FLUX	SYSTEM EFFICIENCY	COLOUR TEMPERATURE	CRI	EFFICIENCY ENERGY CLASS
PR 5140-B LED HE 3000-930	16,8 W	18,7 W	3010 lumens	161,3 lm/W	3000 K	90	E
PR 5140-B LED HE 3000-935	16,8 W	18,7 W	2991 lumens	160,2 lm/W	3500 K	90	E
PR 5140-B LED HE 3000-940	16,8 W	18,7 W	3015 lumens	161,5 lm/W	4000 K	90	E
PR 5140-B LED HE 4000-930	24,1 W	26,8 W	4016 lumens	150 lm/W	3000 K	90	E
PR 5140-B LED HE 4000-935	24,1 W	26,8 W	3991 lumens	149 lm/W	3500 K	90	E
PR 5140-B LED HE 4000-940	24,1 W	26,8 W	4023 lumens	150,2 lm/W	4000 K	90	E

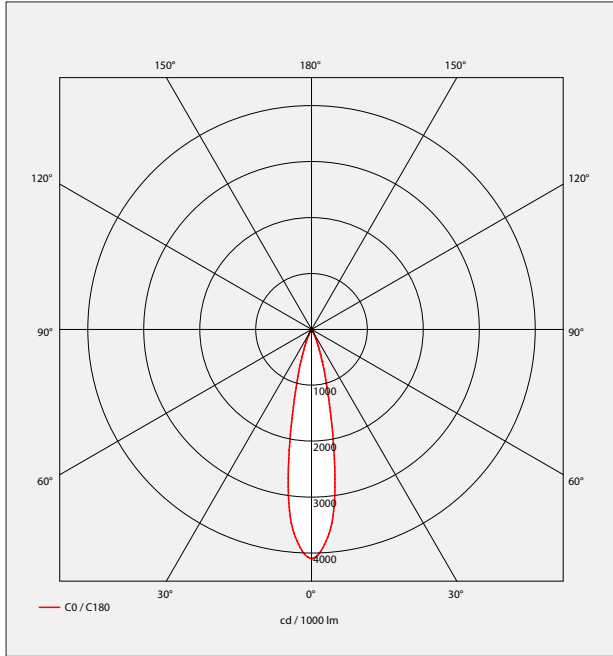
Option(s)



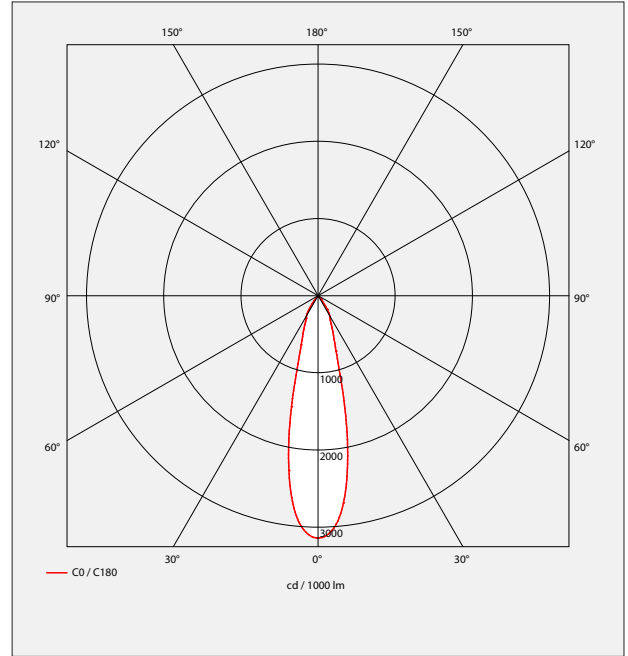
GHOST

LIGHT DISTRIBUTION

Beams 20°
LOR 73,7%



Beams 30°
LOR 78,8%



Beams 40°
LOR 78%

