

## PR 5140-B LED



## LED PROJECTORS

- Orientable projector for LED SPOT module, maximum 4 657 lumens
- CRI of 80 or 90
- MacAdam Ellipse : 2 SDCM
- Available in 3 000 K, 3 500 K and 4 000 K
- 50 000 hours lamp life (L80B10)
- Luminous efficiency of system up to 161,5 lm/W
- 3-circuits track adaptor with integrated driver
- Head of spot made of die-cast aluminium
- Deep sheath for an optimal visual comfort
- Polycarbonate lens optics
- **Weight** : Approx. 0,9 kg
- **Driver(s)** : Fixed, Dimmable DALI (CDIMMDALI), Casambi, Connect
- **Option(s)** : Concealed in-rail converter (Ghost)
- Photobiological risk group 1

### Driver(s)



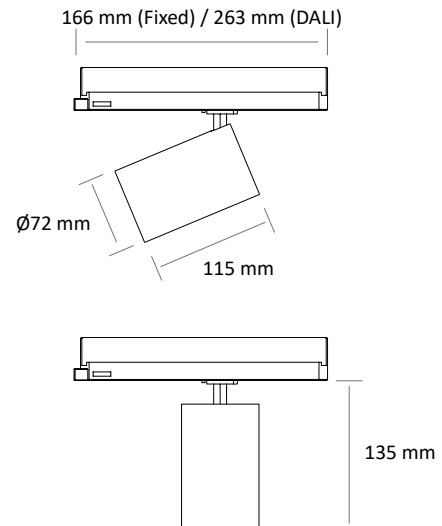
### Standards

Class II | IP 20 | 650° | RG1

### Beam(s)



### Dimensions



### Option(s)



GHOST

## PR 5140-B LED

### Performance of the components CRI 80 & 90

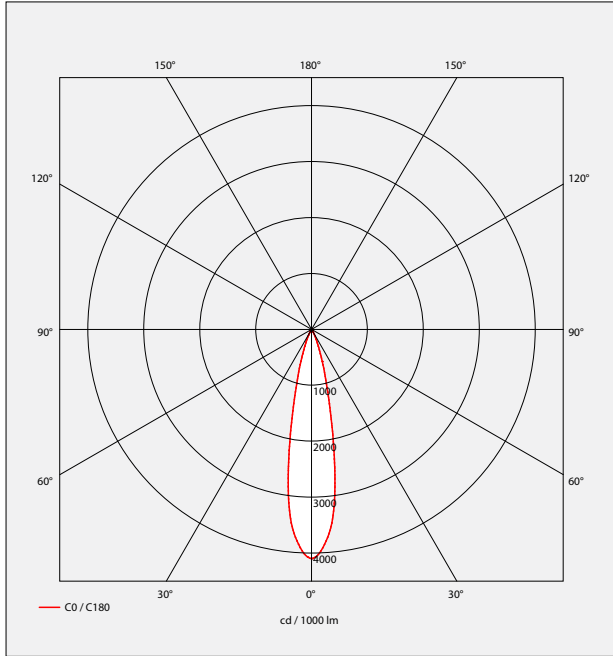
ITEM	POWER	CONSUMPTION	LUMINOUS FLUX	SYSTEM EFFICIENCY	COLOUR TEMPERATURE	CRI	EFFICIENCY ENERGY CLASS
PR 5140-B LED 3300-930	23,9 W	26,5 W	3358 lumens	126,7 lm/W	3000 K	90	E
PR 5140-B LED 3400-940	23,9 W	26,5 W	3442 lumens	129,9 lm/W	4000 K	90	E
PR 5140-B LED 3600-830	23,8 W	26,4 W	3673 lumens	138,9 lm/W	3000 K	80	D
PR 5140-B LED 3800-840	23,8 W	26,4 W	3931 lumens	148,7 lm/W	4000 K	80	D
PR 5140-B LED 4000-930	29,4 W	32,7 W	4005 lumens	122,4 lm/W	3000 K	90	E
PR 5140-B LED 4000-940	29,4 W	32,7 W	4092 lumens	125,1 lm/W	4000 K	90	E
PR 5140-B LED 4400-830	29,4 W	32,6 W	4351 lumens	133 lm/W	3000 K	80	D
PR 5140-B LED 4700-840	29,4 W	32,6 W	4657 lumens	142,4 lm/W	4000 K	80	D

### High efficiency performance of the components (HE) CRI 90

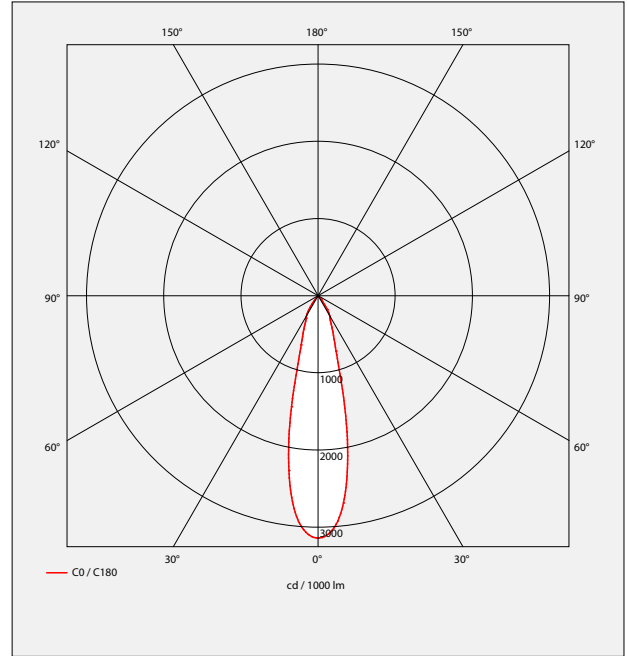
ITEM	POWER	CONSUMPTION	LUMINOUS FLUX	SYSTEM EFFICIENCY	COLOUR TEMPERATURE	CRI	EFFICIENCY ENERGY CLASS
PR 5140-B LED HE 3000-930	16,8 W	18,7 W	3010 lumens	161,3 lm/W	3000 K	90	E
PR 5140-B LED HE 3000-935	16,8 W	18,7 W	2991 lumens	160,2 lm/W	3500 K	90	E
PR 5140-B LED HE 3000-940	16,8 W	18,7 W	3015 lumens	161,5 lm/W	4000 K	90	E
PR 5140-B LED HE 4000-930	24,1 W	26,8 W	4016 lumens	150 lm/W	3000 K	90	E
PR 5140-B LED HE 4000-935	24,1 W	26,8 W	3991 lumens	149 lm/W	3500 K	90	E
PR 5140-B LED HE 4000-940	24,1 W	26,8 W	4023 lumens	150,2 lm/W	4000 K	90	E

**LIGHT DISTRIBUTION**

Beams 20°  
LOR 73,7%



Beams 30°  
LOR 78,8%



Beams 40°  
LOR 78%

