

EO 5236 LED



Ø118 mm



ORIENTABLE AND ADJUSTABLE ■ LED

- Recessed orientable for LED SPOT module, maximum 3 930 lumens
- IRC of 90
- MacAdam Ellipse : 2 SDCM
- Available in 3 000 K, 3 500 K and 4 000 K
- 50 000 hours lamp life (L80B10)
- Luminous efficiency of system up to 152,5 lm/W
- Springs in pressure for easier installation
- Cast aluminium ring
- Aluminum reflective optics
- **Weight** : Approx. 1 kg
- **Driver(s)** : Fixed, Dimmable DALI (CDIMMDALI), Casambi, Connect
- **Option(s)** : Fast connector (CORD)
- Photobiological risk group 1

Driver(s)



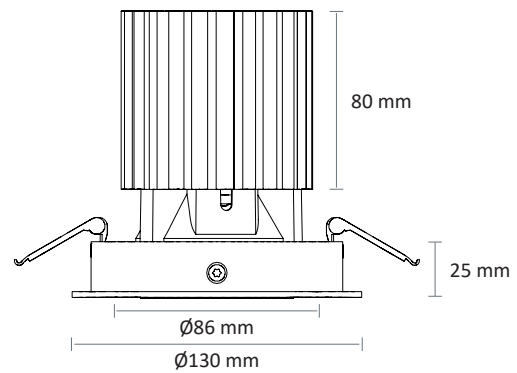
Standards

Class II | IP 20 | 650° | RG1

Beam(s)



Dimensions



| ITEM | POWER | CONSUMPTION | LUMINOUS FLUX | SYSTEM EFFICIENCY | COLOUR TEMPERATURE | CRI | EFFICIENCY ENERGY CLASS |
|----------------------|--------|-------------|---------------|-------------------|--------------------|-----|-------------------------|
| EO 5236 LED 3000-930 | 16,7 W | 19,4 W | 2956 lumens | 152,2 lm/W | 3000 K | 90 | E |
| EO 5236 LED 3000-935 | 16,7 W | 19,4 W | 2937 lumens | 151,2 lm/W | 3500 K | 90 | E |
| EO 5236 LED 3000-940 | 16,7 W | 19,4 W | 2961 lumens | 152,5 lm/W | 4000 K | 90 | E |
| EO 5236 LED 4000-930 | 24 W | 27,9 W | 3924 lumens | 140,6 lm/W | 3000 K | 90 | E |
| EO 5236 LED 4000-935 | 24 W | 27,9 W | 3899 lumens | 139,7 lm/W | 3000 K | 90 | E |
| EO 5236 LED 4000-940 | 24 W | 27,9 W | 3930 lumens | 140,8 lm/W | 4000 K | 90 | E |