

CATALOGUE

TRATO
Lighting

Since 1947

The French custom-made style

Who are we ?

TRATO designs, manufactures in France, and markets innovative lighting luminaires worldwide. With 230 employees and a modern production tool, TRATO became a key player in its job in Europe.

TRATO offers customized solutions and bases the development of new products on the performance, the low consumption and energy savings.

Sustainable development

TRATO lighting's solutions are convincing, because they combine lamps energy efficiency, components and luminaires while creating added aesthetic value. TRATO involves its entire staff to guarantee to its customers that all its commercial activities are performed with respect for sustainable development, health and safety; these undertakings are our priority.

Design and innovation

With an R&D department integral to the core of the company, TRATO uses the most noble and efficient materials to build efficient and high performance appliances. The R&D department is certainly very focused on LED technology as well as optical systems.

Custom-made production

Our teams are at your disposal to imagine and design a lighting concept adapted to your installation, and to advise you on its optimization. A dedicated and competent team is also available to our customers to finalize recently installed concepts and make final adjustments to the luminaires at the points of sale.



OUR VALUES

Innovation

Build innovative and efficient lighting equipment by regularly investing in our production facilities and by spending 4% of our annual turnover in R&D.

Performance

Performance measurement, training and continuous improvement to ensure that our clients benefit from our policy of innovation.

Environmental approaches

TRATO applies an ambitious Social and Environmental Responsibility policy and sets annual targets for environmental improvement. TRATO has been assessed by the Ecovadis rating agency.

Listening

Constantly listening to the needs and suggestions of our internal and external customers and suppliers to develop productive and harmonious working relationships.

Ethics

Ethics, compliance with Laws, Regulations and Standards in order to provide our internal and external partners a serene and secure environment.

Implication

The involvement, integrity and respect of the commitments to build trust with our partners in order to achieve together the objectives set.

TRATO : A responsible company

TRATO has been assessed by ECOVADIS, the reference organisation for **Corporate Social Responsibility (CSR)**. This assessment is based on **four fundamental pillars** : The environment, social issues, business ethics and responsible purchasing.

Through its commitment, TRATO was awarded the **Gold label**, with a score of **80/100**, reflecting the strength of its CSR policy.

" Respect for the environment, employee well-being, ethics and responsibility : our commitment is total. "



A CSR approach at the heart of our strategy

As part of its commitment to sustainable development and to safeguarding future generations, the **TRATO-TLV Group** is implementing an **ambitious CSR policy**, guided by strong human values and a desire to have a positive impact on society and the environment.

The word from the direction

We believe that a sincere commitment to CSR is a lever for sustainable performance. We are pursuing our concrete actions while exploring new avenues for improvement.



Social

OUR COMMITMENTS

- Ensure the health and safety of our employees.
- Mobilise all our teams around our corporate project.
- Create a working environment that fosters well-being.

OUR OBJECTIVES

- Increase the number of training hours by 5%.
- Maintain a low workplace accident rate.
- Reduce absenteeism by 2%.



Environnemental

OUR COMMITMENTS

- Reduce our energy consumption.
- Reduce the use of paper in our offices.
- Raising our teams' awareness of environmental issues.

OUR OBJECTIVES

- Reduce our energy consumption at our two sites by 5%.
- Dematerialise pay slips for all our employees.
- Use 100% recycled FSC paper for our communication materials.



Ethics

OUR COMMITMENTS

- Promote ethical conduct among all employees and suppliers.
- Implement a responsible purchasing policy.

OUR OBJECTIVES

- Getting 100% of our top 20 suppliers to sign our responsible purchasing charter.

Trato, the LED lighting specialist

There is no doubt that LED technology has become an ideal solution for lighting, and has many advantages.

TRATO targets the development of its LED luminaires on dependable quality, providing its customers with efficient and high quality lighting.

An in-house R&D department, made up of 12 engineers works on the

interaction of carefully selected components. TRATO selects suppliers who are leaders in their field.

Special attention is paid to thermal management and safety, the lenses, the choice of drivers and LED modules, the efficiency of the modules and their light quality (CRI) in order to put convincing products onto the market.

The many advantages of LED technology

- Production of light free from ultraviolet and infrared rays, hence no thermal radiation in the direction of the objects being illuminated.
- Maximisation of the direction of the lighting.
- Improved optical performance of the luminaires (high efficiency).
- Excellent sustainability of the luminous flux over time (80% at 50,000 hours).
- Long service life that can be as long as 50,000 hours, providing a significant reduction in maintenance costs.
- Reduction in energy consumption.
- Ease of control for creating dynamic lighting.
- Instantaneous illumination.
- Comfortable lighting.
- Ease of recycling (absence of mercury).
- The recent improvement in CRI (Colour Rendering Index).
- Also enables new forms of luminaires to be created

Temperature behaviour and service life

- To obtain a long service life and efficient operation from LED, good thermal management is essential. When the chip is subject to relatively high temperatures they not only reduce its service life but also the efficiency of the LED chip; this happens proportionally in relation to the temperature increase.
- The luminous flux of the LED is considerably reduced when it overheats, unlike conventional bulbs. The same applies to the service life.
- The average service life of the LED chip is often quoted as 100,000 hours, but this does not take into account the reduction in luminous flux over time. Good thermal management is absolutely necessary to be able to achieve an actual service life to 50,000 hours for a LED luminaire.

Luminous flux and efficiency

■ The luminous flux is the quantity of light emanating from the LED chip or LED module. In the lighting trade the actual luminous flux of the luminaire is more important as it demonstrates the efficiency of the whole of an appliance. Efficiency is measured in lumens per watt (lm/W).

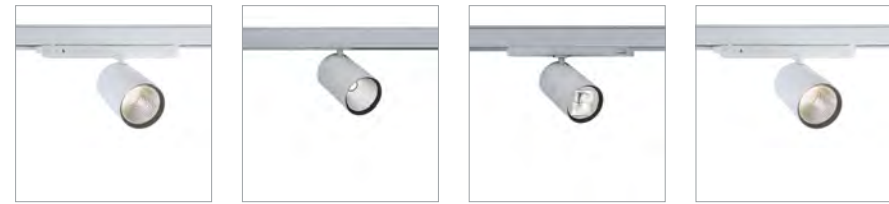
■ The luminous flow is the amount of light from a source (LED chip, LED module or luminaire)





TRACK LIGHTING LUMINAIRES (P. 20 - 115)

ACCENT LIGHTING - LED PROJECTORS 230V AND 48V - (P. 22 - 55)



PR 5140-A LED - P.26 PR 5140-A LED GHOST - P.26 PR 5140-A LED ELL - P.26 PR 5140-A LED ICOB- P.29



PR 5140-B LED - P.31 PR 5140-B LED GHOST- P.31 PR 5140-B LED ICOB - P.33 PR 5140-C LED - P.35 PR 5140-C LED GHOST - P.35



PR 2070 LED - P.38 PR 2071 LED - P.39 PR 2076 LED - P.40



PR 2041-A1 LED - P.41 PR 2041-B1 LED - P.42 PR 2064 LED - P.43

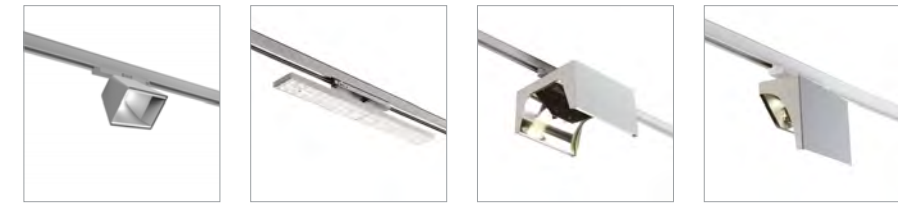


PR 2220-A LED - P.44 PR 2220-B LED - P.45 PR 3008 PAR 46 - P.46



PR 5084-A LED - P.52 PR 5084-L LED GHOST - P.53 PR 5084-H LED ZOOM - P.54 PR 5084-D LED GHOST 48V - P.55

WALL WASHERS - (P. 56 - 69)

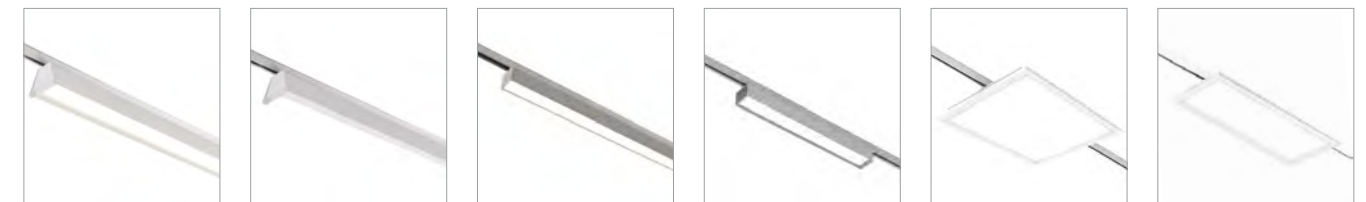


PR 5051-D LED - P.60 LS 5017-E LED - P.62 LS 3945-B LED DASY - P.64 LS 3945-E LED ASY - P.68

GENERAL LIGHTING - LED LIGHTING FIXTURES - (P. 70 - 103)



LS 5017-J LED - P.74 LS 5017-K LED - P.78 LS 3976 LED - P.82 LS 3976 LED ASY - P.86 LS 3976 LED PIVOT 90° - P.88



LS 3954 LED - P.90 LS 3954 LED ASY - P.91 LS 5076 LED PIVOT - P.94 LS 5145 LED - P.95 LS 2316-A LED - P.96 LS 2316-C LED - P.97



LS 5121-A LED - P.98 LS 5121-D LED - P.99 LS 5121-F LED - P.100

TRACKS - 230V AND 48V - (P. 104 - 115)



48V Tracks - P.106 48V Tracks - P.106 48V Trimless Tracks - P.106



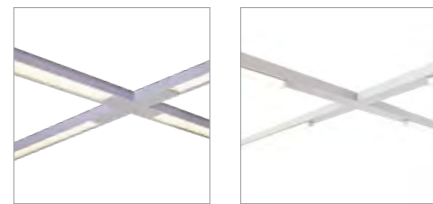
230V 3-Circuit Tracks - P.108 230V 3-Circuit Tracks - P.108 230V H Tracks - P.110 230V Trimless Tracks - P.112 230V Curved 3-Circuit Tracks - P.114

CONTINUOUS ROWS (P. 116 - 141)



LC 5141 LED - P.120 LC 3976 LED EVO - P.126 LC 3887 LED - P.134

GRIDDED SYSTEMS (P. 142 - 155)



RS 3936 LED - P.146 RS 3632 LED - P.152

ORIENTABLE AND ADJUSTABLE (P. 156 - 209)



EO 5140-A LED - P.160 EO 5140-A LED ICOB - P.161 EO 5140-1A LED - P.162 EO 5140-2A LED - P.162 EO 5140-3A LED - P.162 EO 5140-1A LED ICOB - P.165



EO 5140-2A LED ICOB - P.165 EO 5140-3A LED ICOB - P.165 EO 5140-A LED - Rod P.167 EO 5140-A LED Rod ICOB P.168



EO 5140-B LED - P.170 EO 5140-B LED ICOB P.171 EO 5140-1B LED - P.172 EO 5140-2B LED - P.172 EO 5140-3B LED - P.172 EO 5140-1B LED ICOB - P.175



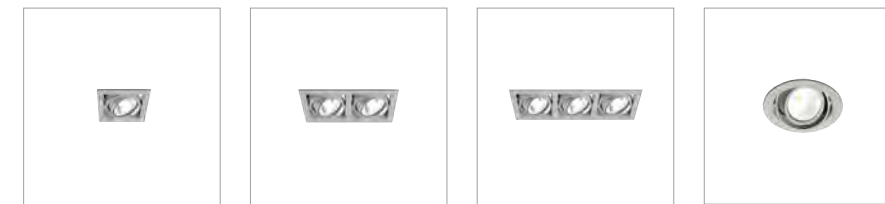
EO 5140-2B LED ICOB - P.175 EO 5140-3B LED ICOB - P.175 EO 5140-B LED Rod - P.177 EO 5140-B LED Rod ICOB - P.178



EO 5140-C LED - P.179 EO 5140-1C LED - P.180 EO 5140-2C LED - P.180 EO 5140-3C LED - P.180 EO 5140-C LED Rod - P.183



EO 2243-1 LED - P.184 EO 2243-2 LED - P.184 EO 2243-3 LED - P.184 EO 2242 LED - P.187



EO 2245-1 LED - P.188 EO 2245-2 LED - P.188 EO 2245-3 LED - P.188 EO 2225 LED - P.190



EO 2241-A LED - P.192 EO 2241-B LED - P.193 EO 2535 LED - P.194 EO 2250 LED - P.195



EO 5084 LED TRIM - P.196 EO 5084 LED TIGE - P.197 EO 2249 LED - P.198 BT 2153-D LED C50 - P.200

TRIMLESS (P. 204 - 209)



EO 5084-A LED ROUND - P.206 EO 5084-A LED SQUARE - P.207 EO 5084-B LED ROUND - P.208 EO 5084-B LED SQUARE - P.209

DOWNLIGHTS (P. 210 - 231)



DL 5140-A LED - P.214 DL 5140-A LED ICOB - P.215 DL 3806 LED - P.216



DL 2126 LED - P.217 DL 2180 LED - P.218 DL 2380 LED - P.219



DL 2583 LED - P.220 DL 2584 LED - P.221 DL 3977 LED - P.222



DL 2820 LED - P.224 DL 2821 LED TRIMLESS - P.226 LE 5225 LED - P.228

GORGES (P. 232 - 247)



GR 5140 LED - P.236 GR 3530 LED - P.244

RECESSED LUMINAIRES (P. 248 - 255)



LE PANEL LED - 600x600 - P.252 LE PANEL LED - 1200x300 - P.253 LE 4060 LED - P.254

CEILING MOUNTED (P. 256 - 261)



PL 5140-A LED - P.258 PL 5140-A LED ICOB - P.259 PL 5140-B LED - P.260 PL 5140-B LED ICOB - P.261

SUSPENDED LUMINAIRES (P. 262 - 271)



LS 5177 LED - P.264 LS 2476 LED - P.265 LS 2371 LED - P.266 LS 2465 LED - P.268 LS 5130 LED - P.270

HIGH BAY (P. 272 - 285)



AR 5140-A LED - P.276 AR 5140-A LED ICOB - P.277 AR 5140-B LED - P.278 AR 5140-B LED ICOB - P.279



AR 3920 LED - P.280 AR 3963 LED - P.281 AR 5036-G LED - P.282 LS 5148 LED - P.283 LS 5151 LED - P.284

DECORATIVE PENDANTS (P. 286 - 303)



SD 2449 LED - P.289 SD 5008-A LED - P.292 SD 5008-C LED - P.293 SD 5008-D LED - P.294

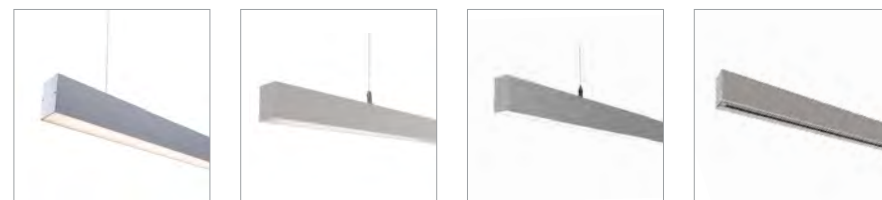


ESTENO - P.296 CABANA - P.297 NAMATA - P.298 AREIA - P.299



AR 1528 LED - P.300 AR 5170 - P.301 XENA - P.302 CALI - P.303

ALUMINIUM PROFILES (P. 304 - 317)



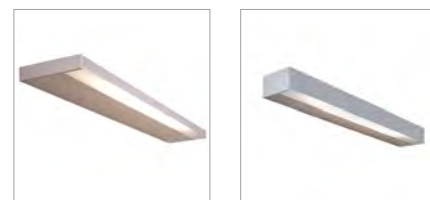
SE 5080 LED P.308 SE 5155 LED - P.314 SE 5165 LED - P.315 SE 3516 LED - P.316

LIGHTING MIRROR (P. 318 - 321)



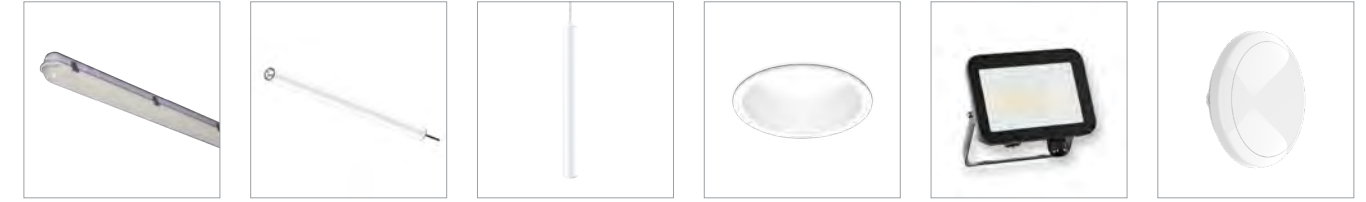
ME 5104 LED - P.320

WALL MOUNTED (P. 322 - 325)



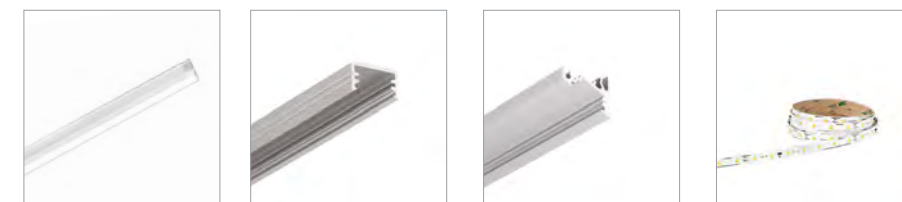
AL 4065 LED - P.324 AL 3739 LED - P.325

EXTRA PROTECTED LUMINAIRES (P. 326 - 337)



ET 2658 LED - P.330 ET 2481-C LED - P.331 ET 2481-A LED - P.332 ET 2585 LED - P.333 ET 2206 LED - P.334 ET 2207 LED - P.336

BATTEN LUMINAIRES / LED FLEX (P. 338 - 343)



RG 2509 LED - P.340 Aluminium profile - P.341 60° Aluminium profile - P.342 LED Flex - P.343

LUMINAIRES FREE OF UV AND IR WINE AND CHAMPAGNE CELLAR (P. 344 - 351)



ET 2194-A LED CAVE - P.348 ET 5029 LED CAVE - P.350

APPENDIX (P. 352 - 362)

- INDEX - (P. 352 - 353)
- CONNECT BROCHURE - (P. 354 - 357)
- CEILING RELIGHTING KIT BROCHURE - (P. 358 - 361)
- KEY FIGURES - (P. 362)

TRACK LIGHTING LUMINAIRES



ACCENT LIGHTING

LED PROJECTORS 230V





PR 5140-A LED



LED PROJECTORS

- Orientable projector for LED SPOT module, maximum 4 046 lumens
- CRI of 90
- MacAdam Ellipse : 2 SDCM
- Available in 2 700 K, 3 000 K, 3 500 K, 4 000 K and 5 000K
- 50 000 hours lamp life (L80B10)
- Luminous efficiency of system up to 163 lm/W
- 3-circuits track adaptor with integrated driver
- Head of spot made of die-cast aluminium
- Aluminium reflective optics
- **Weight** : Approx. 0,9 kg
- **Driver(s)** : Fixed, Dimmable DALI, Casambi, Connect
- **Option(s)** : Elliptical reflector (ELL), Shutter (VOL), Concealed in-rail converter (Ghost)
- Photobiological risk group 1

Driver(s)



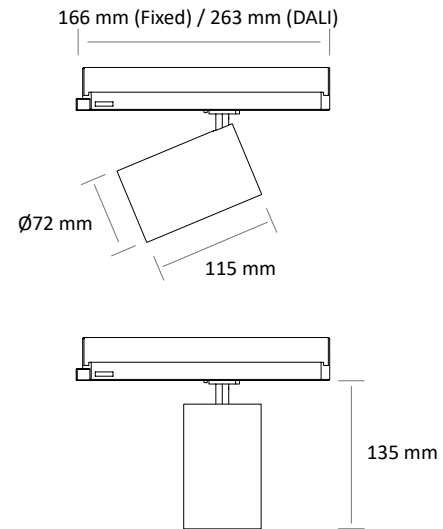
Standards

Class II | IP 20 | 650° | RG1

Beam(s)



Dimensions



Option(s)



ELL



GHOST



VOL

PR 5140-A LED

Performance of specialized lighting modules

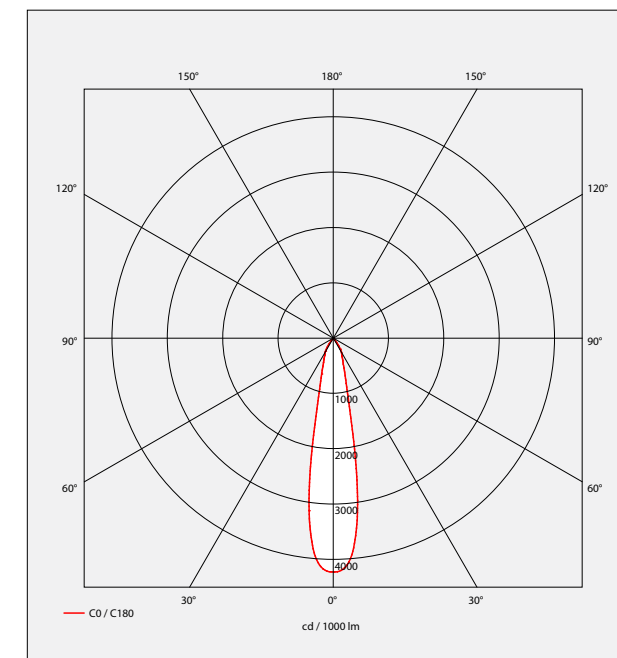
ITEM	SECTION	POWER	CONSUMPTION	LUMINOUS FLUX	SYSTEM EFFICIENCY	COLOUR TEMPERATURE	CRI	EFFICIENCY ENERGY CLASS
PR 5140-A LED 3600-927	Bakery	24,1 W	26,8 W	3567 lumens	133,2 lm/W	2700 K	90	-
PR 5140-A LED 2700-930	Butchery	29,4 W	32,7 W	2733 lumens	83,7 lm/W	3000 K	90	-
PR 5140-A LED 3000-950	Fishmonger's	16,8 W	18,5 W	3015 lumens	163 lm/W	5000 K	90	E
PR 5140-A LED 4000-950	Fishmonger's	24,1 W	26,5 W	4046 lumens	152,7 lm/W	5000 K	90	E

High efficiency performance of the components (HE) CRI 90 with R9>80

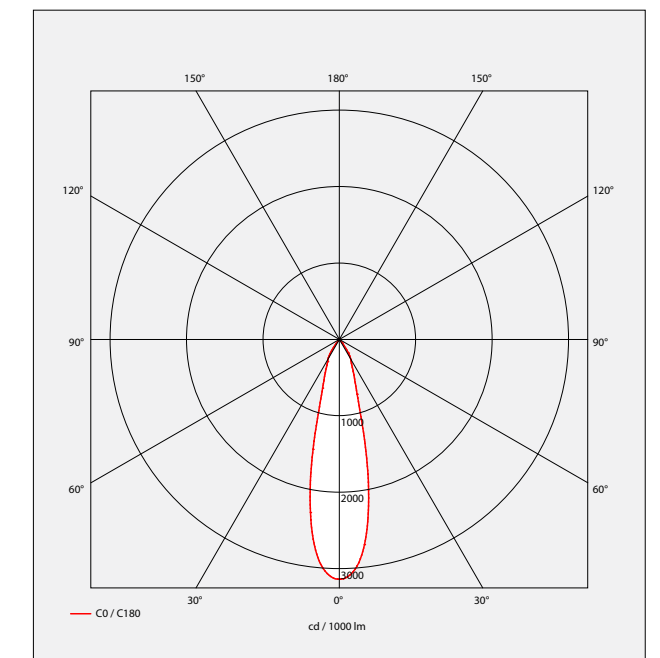
ITEM	POWER	CONSUMPTION	LUMINOUS FLUX	SYSTEM EFFICIENCY	COLOUR TEMPERATURE	CRI	EFFICIENCY ENERGY CLASS
PR 5140-A LED HE 3000-930	16,8 W	18,7 W	3010 lumens	161,3 lm/W	3000 K	90	E
PR 5140-A LED HE 3000-935	16,8 W	18,7 W	2991 lumens	160,2 lm/W	3500 K	90	E
PR 5140-A LED HE 3000-940	16,8 W	18,7 W	3015 lumens	161,5 lm/W	4000 K	90	E
PR 5140-A LED HE 4000-930	24,1 W	26,8 W	4016 lumens	150 lm/W	3000 K	90	E
PR 5140-A LED HE 4000-935	24,1 W	26,8 W	3991 lumens	149 lm/W	3500 K	90	E
PR 5140-A LED HE 4000-940	24,1 W	26,8 W	4023 lumens	150,2 lm/W	4000 K	90	E

LIGHT DISTRIBUTION

Beams 20°
LOR 90,8%

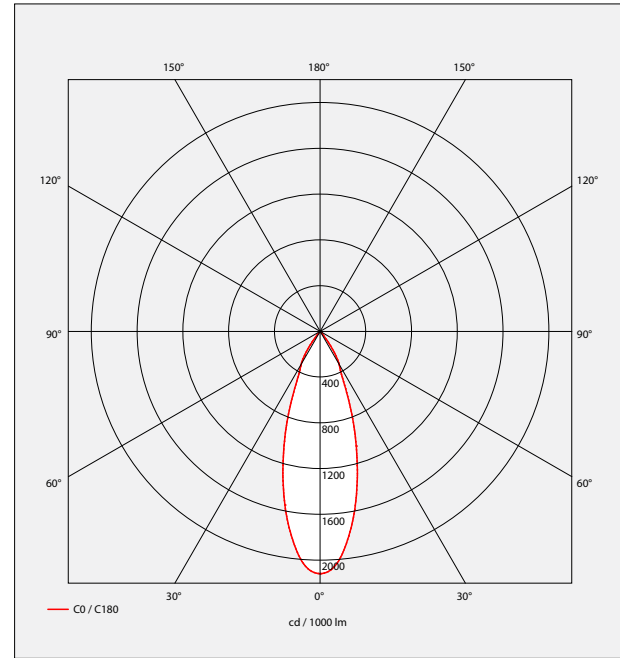


Beams 30°
LOR 88,8%

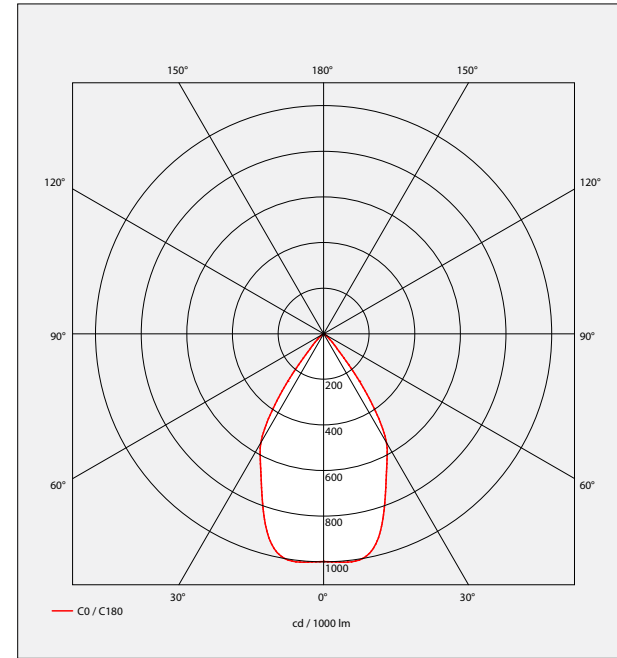


■ LIGHT DISTRIBUTION

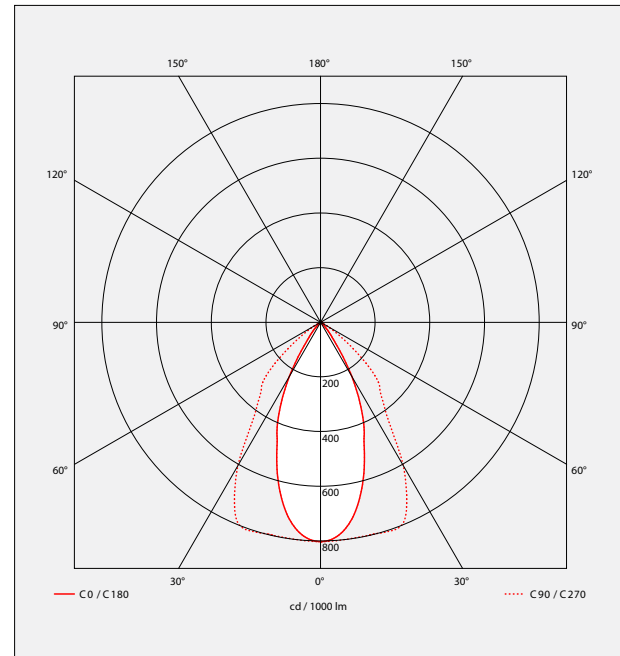
Beams 40°
LOR 88,4%



Beams 60°
LOR 93,3%



Beams ELL
LOR 87,1%



LED PROJECTORS

- Orientable projector for LED SPOT module, maximum 3 751 lumens
- CRI of 90
- MacAdam Ellipse : 2 SDCM
- Available in 3 000 K, 3 500 K and 4 000 K
- 50 000 hours lamp life (L80B10)
- Luminous efficiency of system up to 152,7 lm/W
- 3-circuits track adaptor with integrated driver
- Head of spot made of die-cast aluminium
- Aluminium reflective optics
- Interchangeable ICOB module
- **Weight** : Approx. 0,9 kg
- **Driver(s)** : Fixed, Gradation DALI, Casambi, Connect
- **Option(s)** : Elliptical reflector (ELL), Shutter (VOL), Concealed in-rail converter (Ghost)
- Photobiological risk group 1
- A range of product CEE eligible

Driver(s)



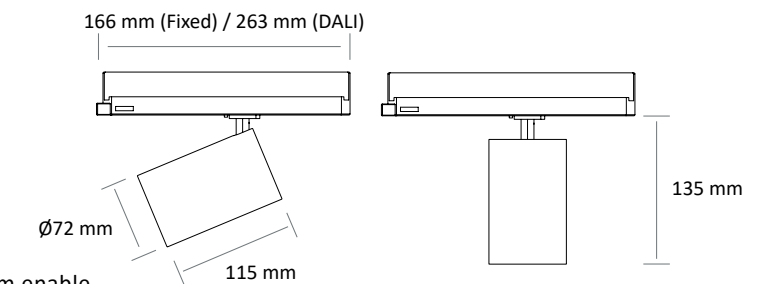
Standards

Class II | IP 20 | 650° | RG1

Beam(s)



Dimensions

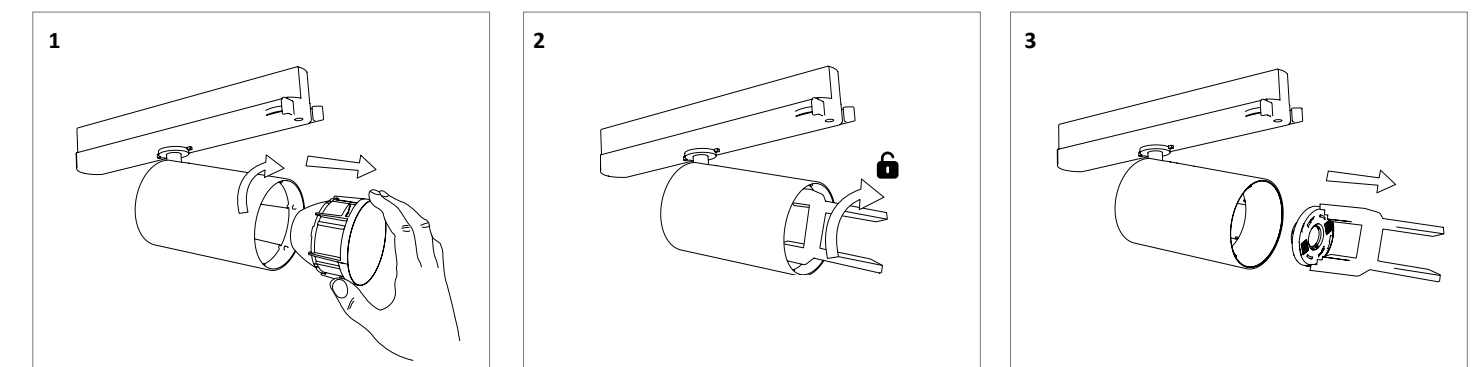


Colour(s)



A product equipped with ICOB technology is provided with a mechanism enable to change the module on the GH36d-4 socket by a simple quarter-turn rotation.

ICOB version



Option(s)



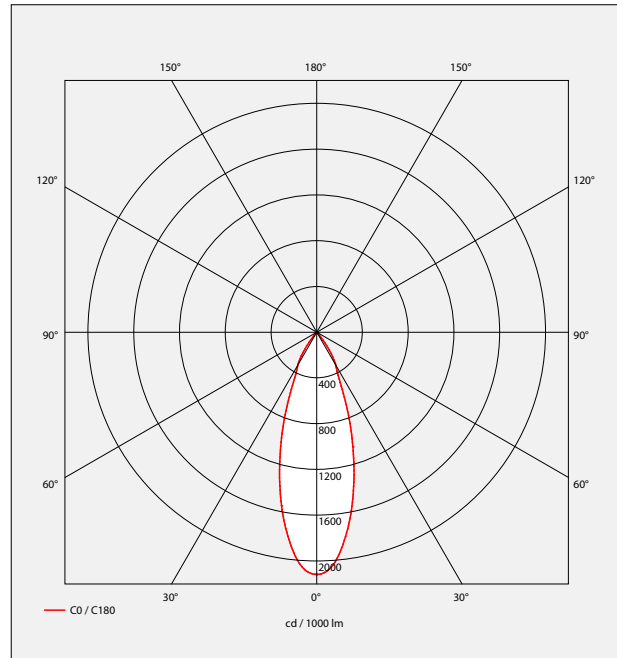
PR 5140-A LED ICOB

High efficiency performance of the components (HE) CRI 90 with R9>80

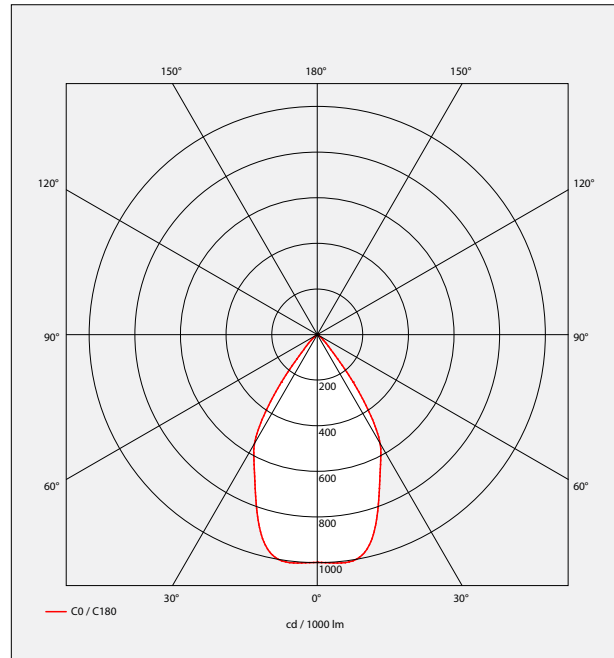
ITEM	POWER	CONSUMPTION	LUMINOUS FLUX	SYSTEM EFFICIENCY	COLOUR TEMPERATURE	CRI	EFFICIENCY ENERGY CLASS
PR 5140-A LED ICOB HE 2800-930	16,7 W	18,6 W	2829 lumens	152,5 lm/W	3000 K	90	E
PR 5140-A LED ICOB HE 2800-935	16,7 W	18,6 W	2811 lumens	151,5 lm/W	3500 K	90	E
PR 5140-A LED ICOB HE 2800-940	16,7 W	18,6 W	2834 lumens	152,7 lm/W	4000 K	90	E
PR 5140-A LED ICOB HE 3800-930	23,9 W	26,6 W	3745 lumens	141 lm/W	3000 K	90	E
PR 5140-A LED ICOB HE 3800-935	23,9 W	26,6 W	3721 lumens	140,1 lm/W	3500 K	90	E
PR 5140-A LED ICOB HE 3800-940	23,9 W	26,6 W	3751 lumens	141,3 lm/W	4000 K	90	E

LIGHT DISTRIBUTION

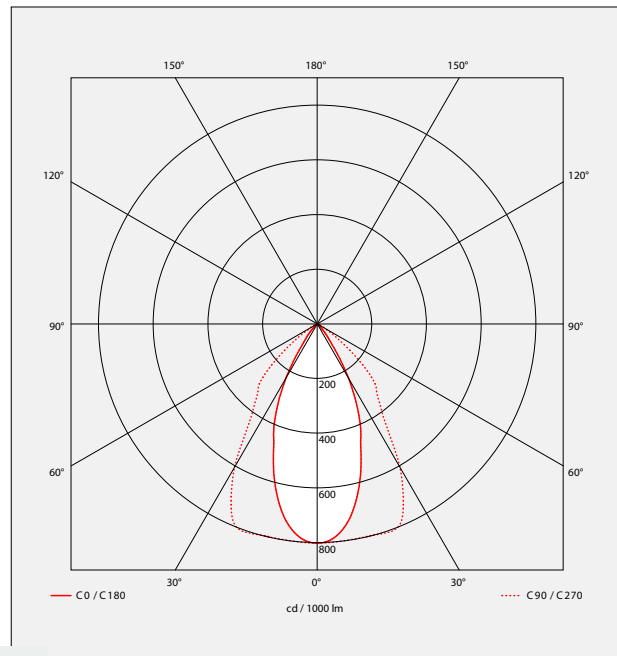
Beams 40°
LOR 88,4%



Beams 60°
LOR 93,3%



Beams ELL
LOR 87,1%



PR 5140-B LED



LED PROJECTORS

- Orientable projector for LED SPOT module, maximum 4 023 lumens
- CRI of 90
- MacAdam Ellipse : 2 SDCM
- Available in 3 000 K, 3 500 K and 4 000 K
- 50 000 hours lamp life (L80B10)
- Luminous efficiency of system up to 161,5 lm/W
- 3-circuits track adaptor with integrated driver
- Head of spot made of die-cast aluminium
- Deep sheath for an optimal visual comfort
- Polycarbonate lens optics
- **Weight** : Approx. 0,9 kg
- **Driver(s)** : Fixed, Dimmable DALI, Casambi, Connect
- **Option(s)** : Concealed in-rail converter (Ghost)
- Photobiological risk group 1

Driver(s)



Standards

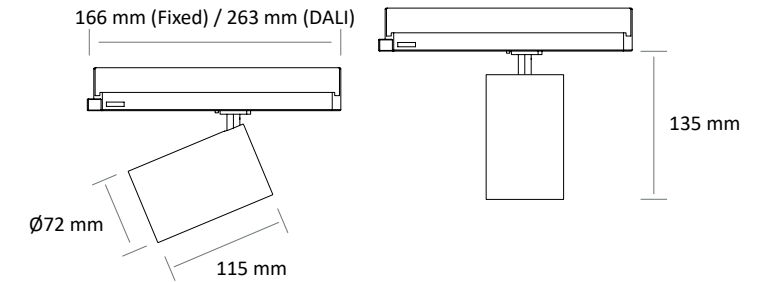
Class II | IP 20 | 650° | RG1

Beam(s)



Dimensions

166 mm (Fixed) / 263 mm (DALI)



High efficiency performance of the components (HE) CRI 90 with R9>80

ITEM	POWER	CONSUMPTION	LUMINOUS FLUX	SYSTEM EFFICIENCY	COLOUR TEMPERATURE	CRI	EFFICIENCY ENERGY CLASS
PR 5140-B LED HE 3000-930	16,8 W	18,7 W	3010 lumens	161,3 lm/W	3000 K	90	E
PR 5140-B LED HE 3000-935	16,8 W	18,7 W	2991 lumens	160,2 lm/W	3500 K	90	E
PR 5140-B LED HE 3000-940	16,8 W	18,7 W	3015 lumens	161,5 lm/W	4000 K	90	E
PR 5140-B LED HE 4000-930	24,1 W	26,8 W	4016 lumens	150 lm/W	3000 K	90	E
PR 5140-B LED HE 4000-935	24,1 W	26,8 W	3991 lumens	149 lm/W	3500 K	90	E
PR 5140-B LED HE 4000-940	24,1 W	26,8 W	4023 lumens	150,2 lm/W	4000 K	90	E

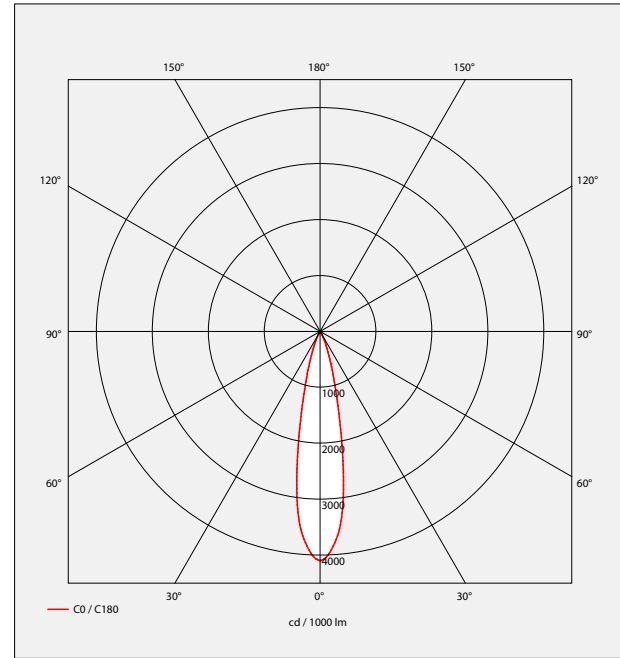
Option(s)



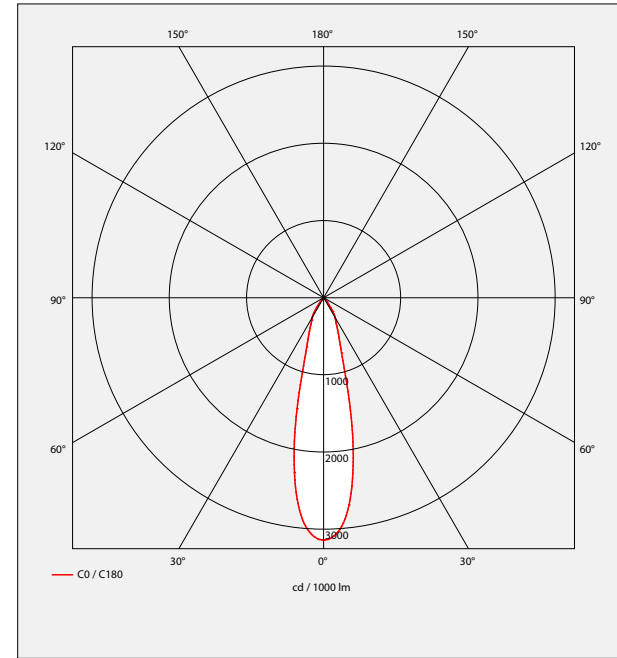
GHOST

■ LIGHT DISTRIBUTION

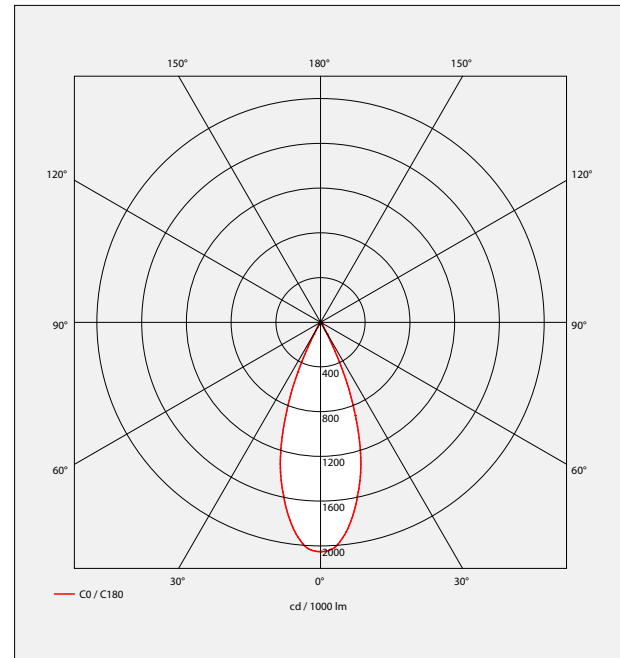
Beams 20°
LOR 73,7%



Beams 30°
LOR 78,8%



Beams 40°
LOR 78%



LED PROJECTORS

- Orientable projector for LED SPOT module, maximum 3 751 lumens
- CRI of 90
- Ellipse de MacAdam : 2 SDCM
- Available in 3 000 K, 3 500 K and 4 000 K
- 50 000 hours lamp life (L80B10)
- Luminous efficiency of system up to 152,7 lm/W
- 3-circuits track adaptor with integrated driver
- Head of spot made of die-cast aluminium
- Deep sheath for an optimal visual comfort
- Polycarbonate lens optics
- Interchangeable ICOB module
- **Weight** : Approx. 0,9 kg
- **Driver(s)** : Fixed, Dimmable DALI, Casambi, Connect
- **Option(s)** : Shutter (VOL), Concealed in-rail converter (Ghost)
- Photobiological risk group 1

Driver(s)



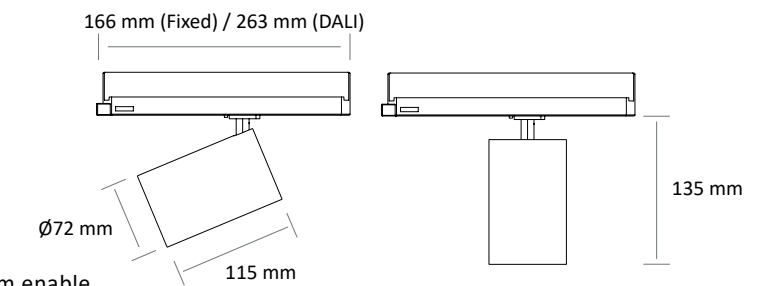
Standards

Class II | IP 20 | 650° | RG1

Beam(s)

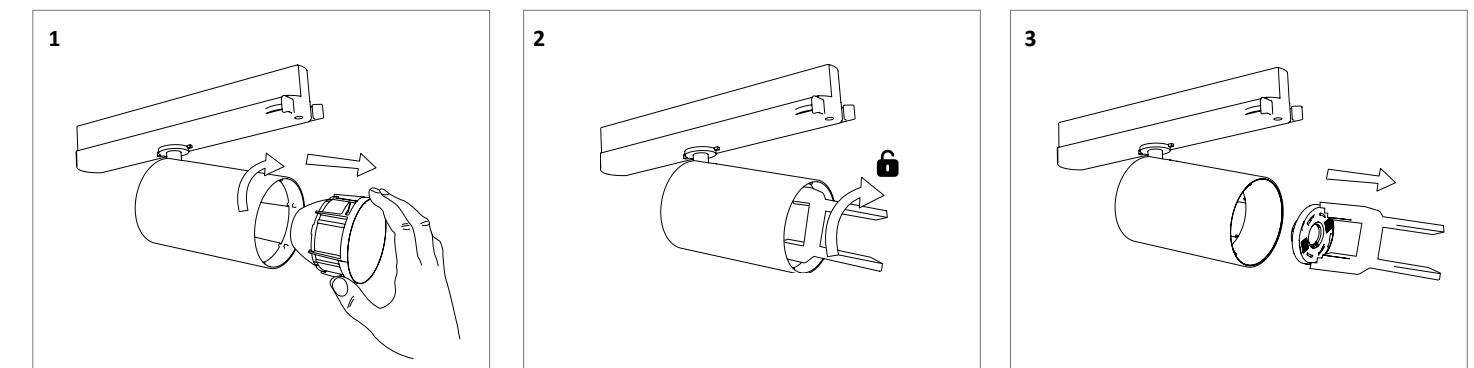


Dimensions



A product equipped with ICOB technology is provided with a mechanism enable to change the module on the GH36d-4 socket by a simple quarter-turn rotation.

ICOB version



Option(s)



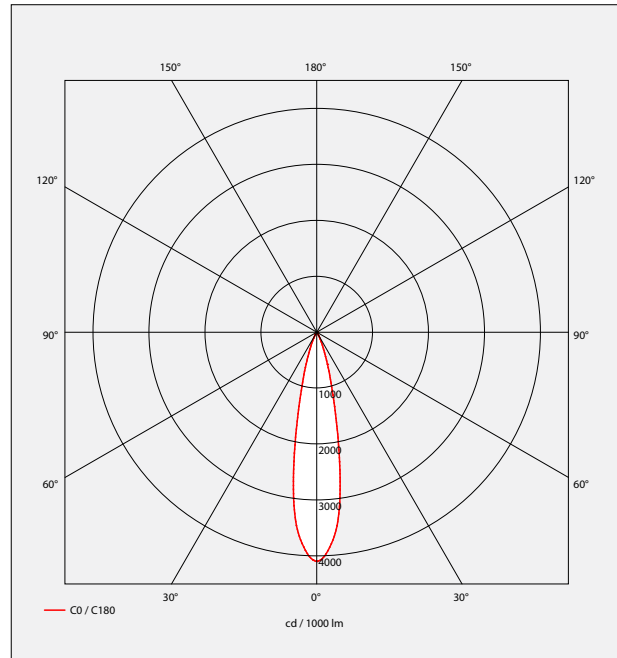
PR 5140-B LED ICOB

High efficiency performance of the components (HE) CRI 90 with R9>80

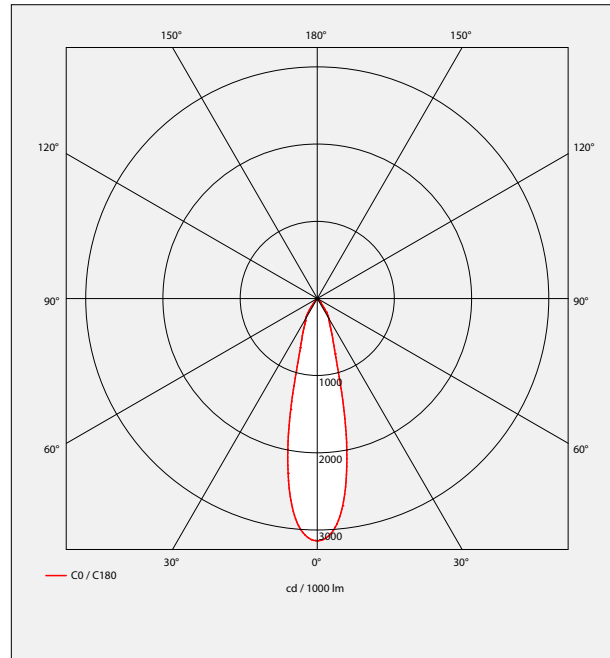
ITEM	POWER	CONSUMPTION	LUMINOUS FLUX	SYSTEM EFFICIENCY	COLOUR TEMPERATURE	CRI	EFFICIENCY ENERGY CLASS
PR 5140-B LED ICOB HE 2800-930	16,7 W	18,6 W	2829 lumens	152,5 lm/W	3000 K	90	E
PR 5140-B LED ICOB HE 2800-935	16,7 W	18,6 W	2811 lumens	151,5 lm/W	3500 K	90	E
PR 5140-B LED ICOB HE 2800-940	16,7 W	18,6 W	2834 lumens	152,7 lm/W	4000 K	90	E
PR 5140-B LED ICOB HE 3800-930	23,9 W	26,6 W	3745 lumens	141 lm/W	3000 K	90	E
PR 5140-B LED ICOB HE 3800-935	23,9 W	26,6 W	3721 lumens	140,1 lm/W	3500 K	90	E
PR 5140-B LED ICOB HE 3800-940	23,9 W	26,6 W	3751 lumens	141,3 lm/W	4000 K	90	E

LIGHT DISTRIBUTION

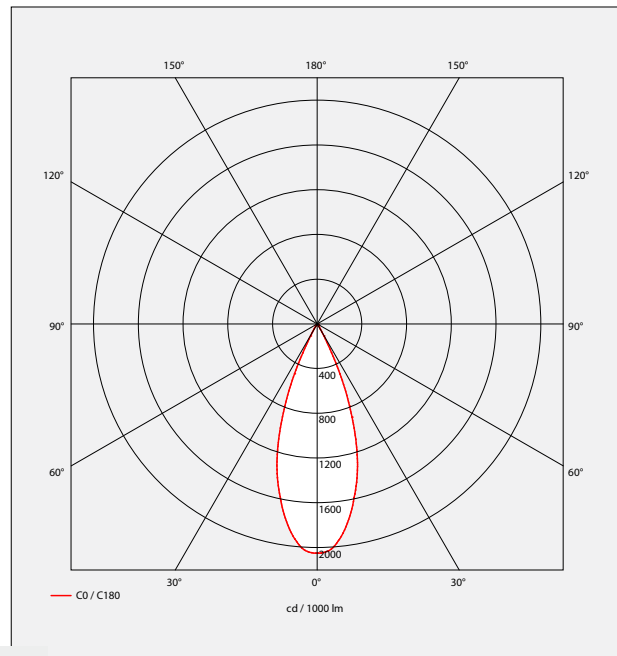
Beams 20°
LOR 73,7%



Beams 30°
LOR 78,8%



Beams 40°
LOR 78%



PR 5140-C LED



LED PROJECTORS

- Orientable projector for LED SPOT module, maximum 2 774 lumens
- CRI of 95
- MacAdam Ellipse : 3 SDCM
- Available in 3 000 K et 4 000 K
- 50 000 hours lamp life (L80B10)
- Luminous efficiency of system up to 113,8 lm/W
- 3-circuits track adaptor with integrated driver
- Head of spot made of die-cast aluminium
- High efficiency COB component
- Silicon lens optics
- **Weight** : Approx. 0,9 kg
- **Driver(s)** : Fixed, Dimmable DALI, Casambi, Connect
- **Option(s)** : Shutter (VOL), Concealed in-rail converter (Ghost)
- Photobiological risk group 1

Driver(s)



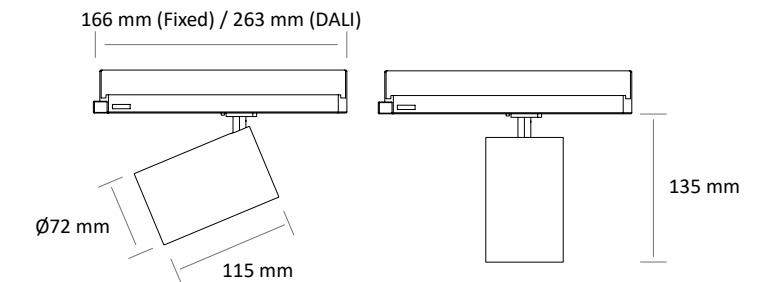
Standards

Class II | IP 20 | 650° | RG1

Beam(s)



Dimensions



ITEM	POWER	CONSUMPTION	LIGHT EMITTING SURFACE	LUMINOUS FLUX	SYSTEM EFFICIENCY	COLOUR TEMPERATURE	CRI	BEAM	EFFICIENCY ENERGY CLASS
PR 5140-C LED 900-930	13,1 W	15 W	LES4	893 lumens	59,3 lm/W	3000 K	95	7°	F
PR 5140-C LED 1000-940	13,1 W	15 W	LES4	987 lumens	65,5 lm/W	4000 K	95	7°	E
PR 5140-C LED 950-930	8,8 W	11 W	LES6	965 lumens	87,7 lm/W	3000 K	95	10°/20°/35°	F
PR 5140-C LED 1050-940	8,8 W	11 W	LES6	1047 lumens	95,2 lm/W	4000 K	95	10°/20°/35°	D
PR 5140-C LED 1400-930	14,9 W	17,95 W	LES6	1381 lumens	80,6 lm/W	3000 K	95	10°/20°/35°	F
PR 5140-C LED 1500-940	14,9 W	17,95 W	LES6	1498 lumens	87,5 lm/W	4000 K	95	10°/20°/35°	D
PR 5140-C LED 2000-930	17,3 W	19,44 W	LES9	1904 lumens	98 lm/W	3000 K	95	15°/20°/35°	F
PR 5140-C LED 2000-940	17,3 W	19,44 W	LES9	2101 lumens	108 lm/W	4000 K	95	15°/20°/35°	E
PR 5140-C LED 2600-930	25 W	27,8 W	LES9	2514 lumens	87,1 lm/W	3000 K	95	15°/20°/35°	E
PR 5140-C LED 2600-940	25 W	27,8 W	LES9	2774 lumens	96,1 lm/W	4000 K	95	15°/20°/35°	E

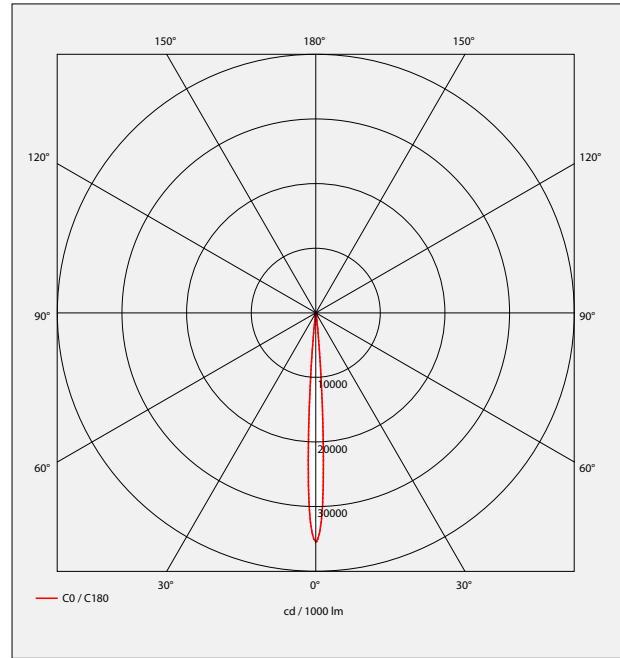
Option(s)



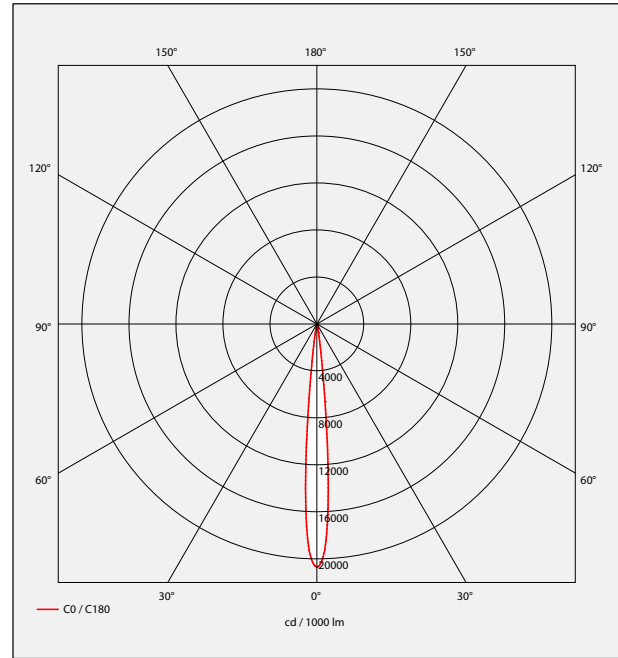
GHOST

■ LIGHT DISTRIBUTION

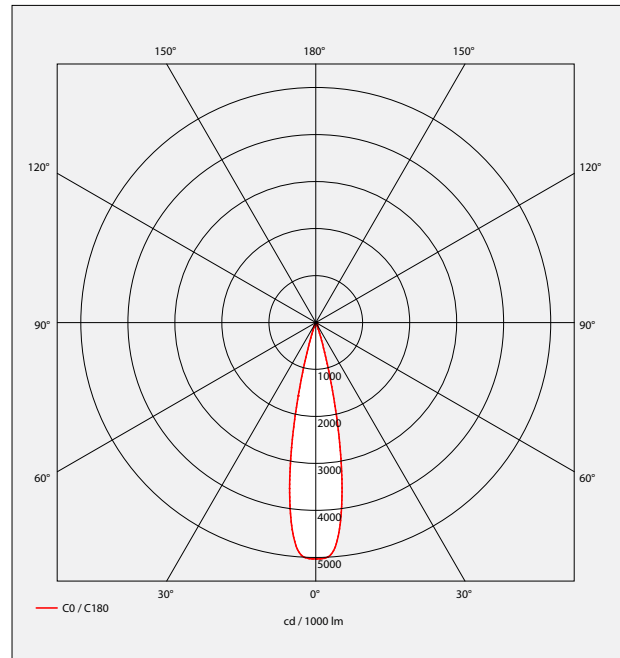
Beams 7°
LOR 81,1%
LES4



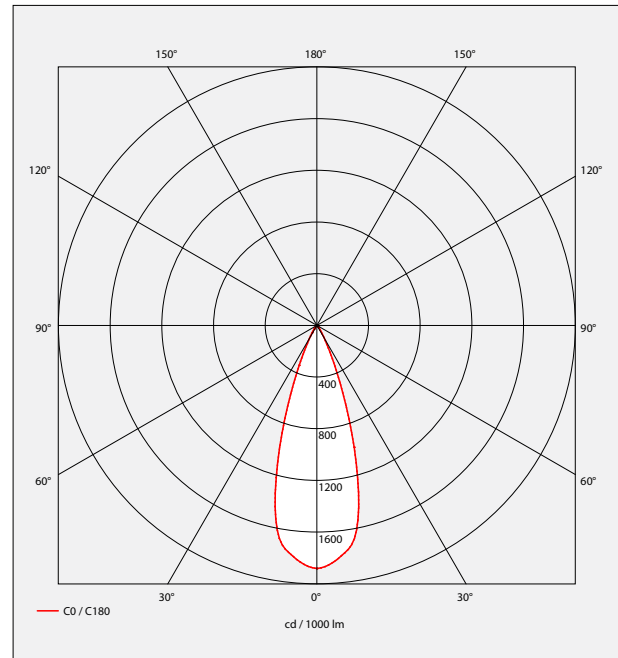
Beams 10°
LOR 78,2%
LES6



Beams 20°
LOR 79,4%
LES6

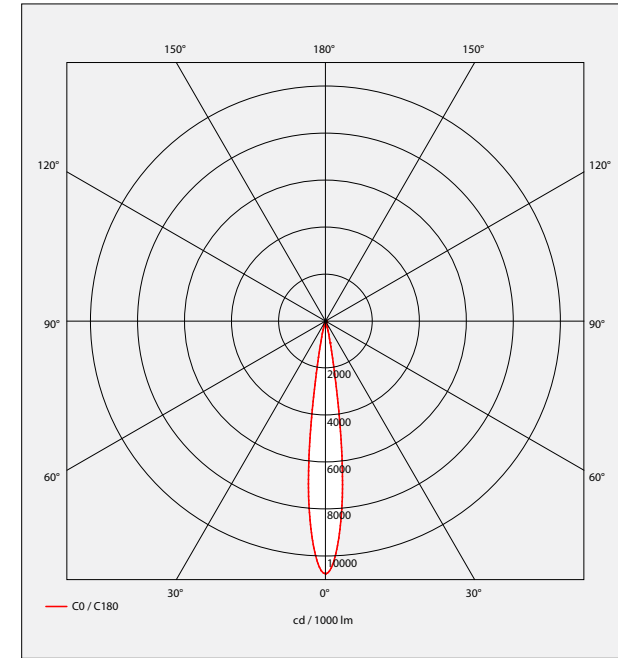


Beams 35°
LOR 68,3%
LES6

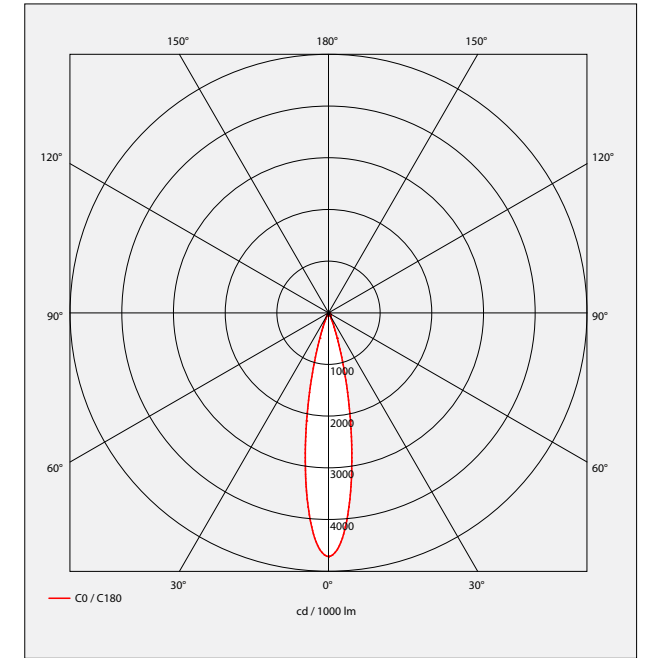


■ LIGHT DISTRIBUTION

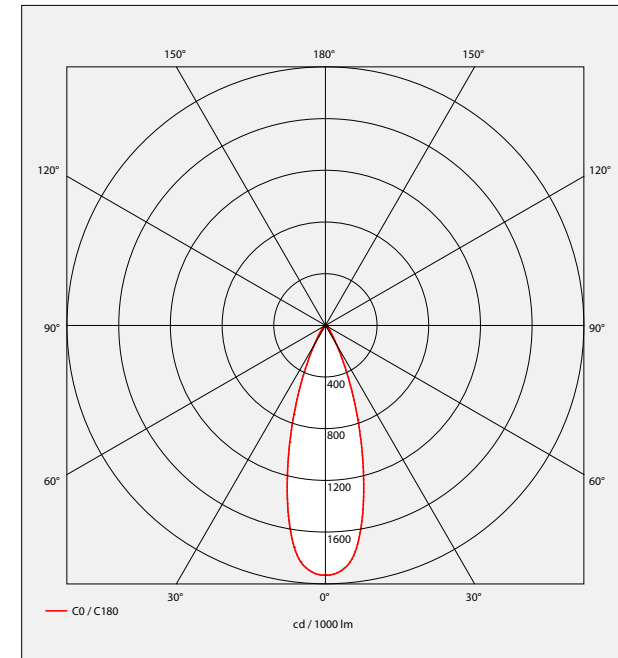
Beams 15°
LOR 81,5%
LES9



Beams 20°
LOR 81,3%
LES9



Beams 35°
LOR 74,4%
LES9



PR 2070 LED



LED PROJECTORS

- Orientable projector LED SPOT module, maximum 5 592 lumens
- CRI of 80 or 90
- MacAdam Ellipse : 3 SDCM
- Available in 3 000 K and 4000 K
- 50 000 hours lamp life (L80B10)
- Luminous efficiency of system up to 142,9 lm/W
- 3-circuits track adaptor
- Head of spot made of die-cast aluminium
- Static heat sink
- Optical protection clear glass
- **Weight** : Approx. 1 kg
- **Driver(s)** : Fixed, Dimmable DALI
- **Option(s)** : Business Module

Driver(s)



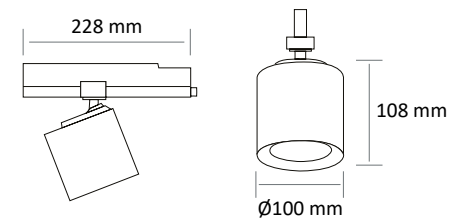
Standards

Class II | IP 20 | 650°

Beam(s)



Dimensions



PR 2071 LED



LED PROJECTORS

- Orientable projector for LED SPOT module, maximum 5 592 lumens
- CRI of 80 and 90
- MacAdam Ellipse : 2 SDCM
- Available in 3 000 K and 4 000 K
- 50 000 hours lamp life (L80B10)
- Luminous efficiency of system up to 150,8 lm/W
- 3-circuits track adaptor with integrated driver
- Head of spot made of die-cast aluminium
- Static heat sink
- Optical protection clear glass
- **Weight** : Approx. 1,1 kg
- **Driver(s)** : Fixed, Dimmable DALI
- **Option(s)** : Food module

Driver(s)



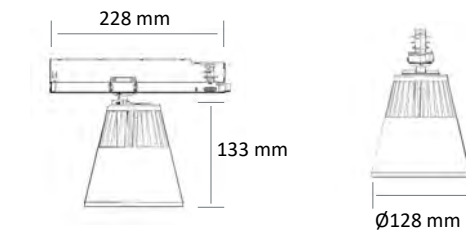
Standards

Class II | IP 20 | 650°

Beam(s)



Dimensions



ITEM	CONSUMPTION	LUMINOUS FLUX	SYSTEM EFFICIENCY	COLOUR TEMPERATURE	CRI	EFFICIENCY ENERGY CLASS
PR 2070 LED 3500-830	28W	3700 lumens	132 lm/W	3000 K	80	D
PR 2070 LED 3500-840	28W	3875 lumens	138,5 lm/W	4000 K	80	D
PR 2070 LED 3500-930	25,4W	3434 lumens	135,2 lm/W	3000 K	90	D
PR 2070 LED 3500-940	25,4W	3629 lumens	142,9 lm/W	4000 K	90	D
PR 2070 LED 4000-930	31,7W	4143 lumens	130,4 lm/W	3000 K	90	D
PR 2070 LED 4000-940	29,4W	4139 lumens	140,6 lm/W	4000 K	90	D
PR 2070 LED 4500-830	35W	4275 lumens	122 lm/W	3000 K	80	D
PR 2070 LED 4500-840	35W	4500 lumens	128,5 lm/W	4000 K	80	D
PR 2070 LED 5500-930	41,8W	5262 lumens	125,9 lm/W	3000 K	90	D
PR 2070 LED 5500-940	41,8W	5592 lumens	133,8 lm/W	4000 K	90	D

ITEM	CONSUMPTION	LUMINOUS FLUX	SYSTEM EFFICIENCY	COLOUR TEMPERATURE	CRI	BEAMS	EFFICIENCY ENERGY CLASS
PR 2071 LED 3000-930	34W	3475 lumens	102 lm/W	3000 K	90	B	E
PR 2071 LED 3500-830	28W	3675 lumens	131,2 lm/W	3000 K	80	B	D
PR 2071 LED 3500-840	28W	3775 lumens	134,8 lm/W	4000 K	80	B	D
PR 2071 LED 3500-930	25,4 W	3434 lumens	135,2 lm/W	3000 K	90	B	D
PR 2071 LED 3500-940	25,4 W	3629 lumens	142,9 lm/W	4000 K	90	B	D
PR 2071 LED 4000-930	31,7 W	4143 lumens	130,4 lm/W	3000 K	90	B	D
PR 2071 LED 4000-940	29,4 W	4139 lumens	140,6 lm/W	4000 K	90	B	D
PR 2071 LED 4200-830	34W	4250 lumens	125 lm/W	3000 K	80	B	D
PR 2071 LED 4200-840	34W	4375 lumens	128,7 lm/W	4000 K	80	B	D
PR 2071 LED 4800-830	32W	4700 lumens	146,8 lm/W	3000 K	80	A	D
PR 2071 LED 4800-840	32W	4825 lumens	150,8 lm/W	4000 K	80	A	D
PR 2071 LED 5500-930	41,8W	5262 lumens	125,9 lm/W	3000 K	90	B	D
PR 2071 LED 5500-940	41,8W	5592 lumens	133,8 lm/W	4000 K	90	B	D

PR 2076 LED GEN2



LED PROJECTORS

- Orientable projector LED SPOT module, maximum 4 500 lumens
- CRI of 80 or 90
- MacAdam Ellipse : 3 SDCM
- Available in 3 000 K and 4000 K
- 50 000 hours life expectancy (L80B10)
- Luminous efficiency of system up to 145 lm/W
- 3-circuits track adaptor
- Head of spot made of die-cast aluminium
- Static heat sink
- Optical protection clear glass
- **Adjustable** : 90° and Turnable : 355°
- **Weight** : Approx. 1,3 kg
- **Driver(s)** : Fixed, Dimmable DALI
- **Option(s)** : Food module

Driver(s)



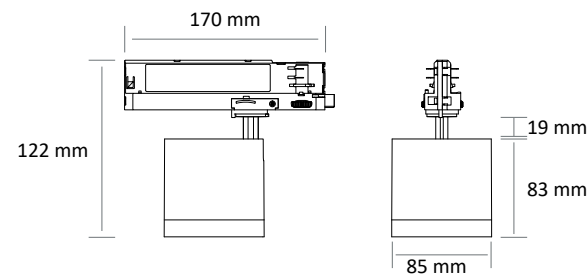
Standards

Class II | IK 02 | IP 20 | 650°

Beam(s)



Dimensions



PR 2041-A1 LED



LED PROJECTORS

- Orientable projector for LED SPOT module, maximum 7 700 lumens
- CRI of 80 or 90
- MacAdam Ellipse : 2 SDCM
- Available in 3000 K and 4000 K
- 50 000 hours life expectancy (L80B10)
- Luminous efficiency of system up to 145 lm/W
- 3-circuits track adaptor
- Housing made of die-cast aluminium and box made of painted steel
- Static heat sink
- Optical protection clear glass
- **Weight** : Approx. 1,3 kg
- **Driver(s)** : Fixed, Dimmable DALI
- **Option(s)** : Ceiling-mounted bracket (PAT)

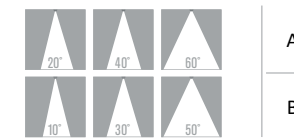
Driver(s)



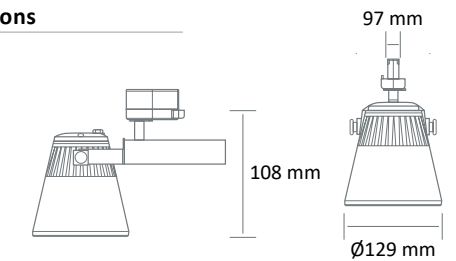
Standards

Class I | IP 20 | 650°

Beam(s)



Dimensions



ITEM	CONSUMPTION	LUMINOUS FLUX	SYSTEM EFFICIENCY	COLOUR TEMPERATURE	CRI	EFFICIENCY ENERGY CLASS
PR 2076 LED GEN2 2000-930	14 W	1918 lumens	137,9 lm/W	3000 K	90	D
PR 2076 LED GEN2 2000-940	14 W	2016 lumens	145 lm/W	4000 K	90	D
PR 2076 LED GEN2 3500-830	28 W	3700 lumens	132 lm/W	3000 K	80	D
PR 2076 LED GEN2 3500-840	28 W	3875 lumens	138,5 lm/W	4000 K	80	D
PR 2076 LED GEN2 3500-930	25,4 W	3434 lumens	135,2 lm/W	3000 K	90	D
PR 2076 LED GEN2 3500-940	25,4 W	3629 lumens	142,9 lm/W	4000 K	90	D
PR 2076 LED GEN2 4000-930	31,7 W	4143 lumens	130,4 lm/W	3000 K	90	D
PR 2076 LED GEN2 4000-940	29,4 W	4139 lumens	140,6 lm/W	4000 K	90	D
PR 2076 LED GEN2 4500-830	35 W	4275 lumens	122 lm/W	3000 K	80	D
PR 2076 LED GEN2 4500-840	35 W	4500 lumens	128,5 lm/W	4000 K	80	D

ITEM	CONSUMPTION	LUMINOUS FLUX	SYSTEM EFFICIENCY	COLOUR TEMPERATURE	CRI	BEAM	EFFICIENCY ENERGY CLASS
PR 2041-A1 LED 2000-930	14W	1918 lumens	137,9 lm/W	3000 K	90	B	D
PR 2041-A1 LED 2000-940	14W	2016 lumens	145 lm/W	4000 K	90	B	D
PR 2041-A1 LED 3500-830	28W	3615 lumens	129,1 lm/W	3000 K	80	B	D
PR 2041-A1 LED 3500-840	28W	3802 lumens	135,8 lm/W	4000 K	80	B	D
PR 2041-A1 LED 3500-930	25,4 W	3434 lumens	135,2 lm/W	3000 K	90	B	D
PR 2041-A1 LED 3500-940	25,4 W	3629 lumens	142,9 lm/W	4000 K	90	B	D
PR 2041-A1 LED 4000-830	34W	4275 lumens	125,7 lm/W	3000 K	80	B	D
PR 2041-A1 LED 4000-840	34W	4500 lumens	132,4 lm/W	4000 K	80	B	D
PR 2041-A1 LED 4000-930	31,7 W	4143 lumens	130,4 lm/W	3000 K	90	B	D
PR 2041-A1 LED 4000-940	29,4 W	4139 lumens	140,6 lm/W	4000 K	90	B	D
PR 2041-A1 LED 5000-830	43W	5075 lumens	118 lm/W	3000 K	80	B	D
PR 2041-A1 LED 5000-840	43W	5350 lumens	124,4 lm/W	4000 K	80	B	D
PR 2041-A1 LED 5500-930	41,8W	5262 lumens	125,9 lm/W	3000 K	90	B	D
PR 2041-A1 LED 5500-940	41,8W	5592 lumens	133,8 lm/W	4000 K	90	B	D
PR 2041-A1 LED 7000-830	55W	7325 lumens	133,2 lm/W	3000 K	80	A	D
PR 2041-A1 LED 7000-840	55W	7700 lumens	140 lm/W	4000 K	80	A	D

PR 2041-B1 LED



LED PROJECTORS

- Orientable projector for LED SPOT module, maximum 4 500 lumens
- CRI of 80 or 90
- MacAdam Ellipse : 2 SDCM
- Available in 3000 K and 4000 K
- 50 000 hours life expectancy (L80B10)
- Luminous efficiency of system up to 151,2 lm/W
- 3-circuits track adaptor
- Housing made of die-cast aluminium and box made of painted steel
- Static heat sink
- Optical protection clear glass
- **Weight** : Approx. 1,4 kg
- **Driver(s)** : Fixed, Dimmable DALI

Driver(s)



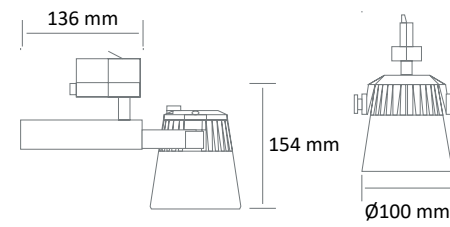
Standards

Class I | IP 20 | 650°

Beam(s)



Dimensions



PR 2064 LED



LED PROJECTORS

- Orientable projector LED SPOT module, maximum 5 592 lumens
- High quality of light with a CRI of 80 or 90
- Available in 3000 K and 4000 K
- 50 000 hours life expectancy (L80B10)
- Luminous efficiency of system up to 145 lm/W
- 3-circuits track adaptor
- Housing and box made of painted die-cast aluminium
- Static heat sink
- Clear anti-reflective optical protection glass
- **Orientation** : 180° and turnable : 355°
- **Driver(s)** : Fixe (C Fixed), Dimmable DALI
- **Option(s)** : Patère GA70

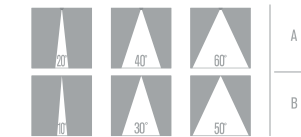
Driver(s)



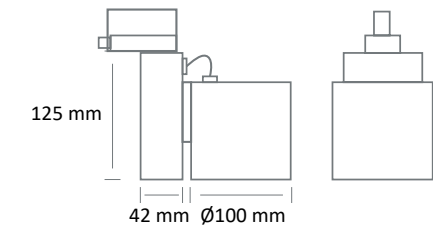
Standards

Class I | IP 20 | 650°

Beam(s)



Dimensions



ITEM	CONSUMPTION	LUMINOUS FLUX	SYSTEM EFFICIENCY	COLOUR TEMPERATURE	CRI	EFFICIENCY ENERGY CLASS
PR 2041-B1 LED 2000-930	14W	1918 lumens	137,9 lm/W	3000 K	90	D
PR 2041-B1 LED 2000-940	14W	2016 lumens	145 lm/W	4000 K	90	D
PR 2041-B1 LED 3000-830	21 W	3025 lumens	144,1 lm/W	3000 K	80	D
PR 2041-B1 LED 3000-840	21 W	3175 lumens	151,2 lm/W	4000 K	80	D
PR 2041-B1 LED 3500-930	25,4 W	3434 lumens	135,2 lm/W	3000 K	90	D
PR 2041-B1 LED 3500-940	25,4 W	3629 lumens	142,9 lm/W	4000 K	90	D
PR 2041-B1 LED 4000-930	31,7 W	4143 lumens	130,4 lm/W	3000 K	90	D
PR 2041-B1 LED 4000-940	29,4 W	4139 lumens	140,6 lm/W	4000 K	90	D
PR 2041-B1 LED-4500-830	34 W	4275 lumens	125,7 lm/W	3000 K	80	D
PR 2041-B1 LED 4500-840	34 W	4500 lumens	132,3 lm/W	4000 K	80	D

ITEM	CONSUMPTION	LUMINOUS FLUX	SYSTEM EFFICIENCY	COLOUR TEMPERATURE	CRI	EFFICIENCY ENERGY CLASS
PR 2064 LED 2000-930	14W	1918 lumens	137,9 lm/W	3000 K	90	B
PR 2064 LED 2000-940	14W	2016 lumens	145 lm/W	4000 K	90	B
PR 2064 LED 3500-830	28W	3600 lumens	128,5 lm/W	3000 K	80	A
PR 2064 LED 3500-840	28W	3696 lumens	132 lm/W	4000 K	80	A
PR 2064 LED 3500-930	25,4W	3434 lumens	135,2 lm/W	3000 K	90	B
PR 2064 LED 3500-940	25,4W	3629 lumens	142,9 lm/W	4000 K	90	B
PR 2064 LED 4000-830	32,5W	4054 lumens	125 lm/W	3000 K	80	B
PR 2064 LED 4000-840	32,5W	4160 lumens	128 lm/W	4000 K	80	B
PR 2064 LED 4000-930	31,7 W	4143 lumens	130,4 lm/W	3000 K	90	B
PR 2064 LED 4000-940	29,4 W	4139 lumens	140,6 lm/W	4000 K	90	B
PR 2064 LED 5000-830	43W	5129 lumens	119 lm/W	3000 K	80	A
PR 2064 LED 5000-840	43W	5262 lumens	122,5 lm/W	4000 K	80	A
PR 2064 LED 5500-930	41,8W	5262 lumens	125,9 lm/W	3000 K	90	B
PR 2064 LED 5500-940	41,8W	5592 lumens	133,8 lm/W	4000 K	90	B

Option(s)



PR 2220-A LED



Colour(s)



LED PROJECTORS

- Orientable projector for LED SPOT module, maximum 4 500 lumens
- IRC de 80 or 90
- MacAdam Ellipse : 2 SDCM
- Available in 3 000 K or 4 000 K
- 50 000 hours lamp life (L80B10)
- Luminous efficiency of system up to 145 lm/W
- 3-circuits track adaptor with integrated driver
- Head of spot made of die-cast aluminium
- Static heat sink
- Optical protection clear glass
- Driver(s) : Fixed

Driver(s)



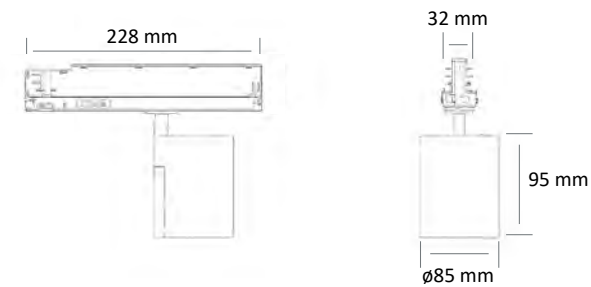
Standards

Class II | IP 20 | 650°

Beam(s)



Dimensions



PR 2220-B LED



Colour(s)



LED PROJECTORS

- Orientable projector for LED SPOT module, maximum 3 425 lumens
- IRC de 80 ou 90
- MacAdam Ellipse : 2 SDCM
- Available in 2 700 K, 3 000 K or 4 000 K
- 50 000 hours lamp life (L80B10)
- Luminous efficiency of system up to 142 lm/W
- 3-circuits track adaptor with integrated driver
- Head of spot made of die-cast aluminium
- Static heat sink
- Optical protection clear glass
- Driver(s) : Fixed

Driver(s)



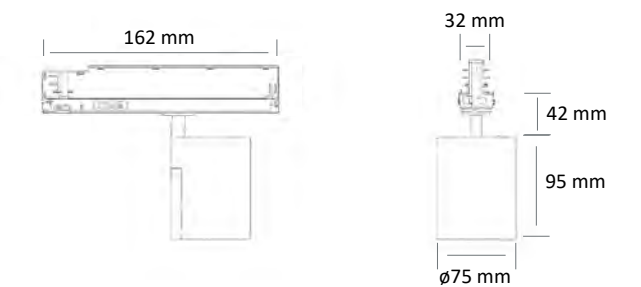
Standards

Class II | IP 20 | 650°

Beam(s)



Dimensions



ITEM	CONSUMPTION	LUMINOUS FLUX	SYSTEM EFFICIENCY	COLOUR TEMPERATURE	CRI	EFFICIENCY ENERGY CLASS
PR 2220-A LED 2000-930	14W	1918 lumens	137,9 lm/W	3000 K	90	D
PR 2220-A LED 2000-940	14W	2016 lumens	145 lm/W	4000 K	90	D
PR 2220-A LED 3500-830	28W	3700 lumens	132 lm/W	3000 K	80	D
PR 2220-A LED 3500-840	28W	3875 lumens	138,5 lm/W	4000 K	80	D
PR 2220-A LED 3500-930	25,4W	3434 lumens	135,2 lm/W	3000 K	90	D
PR 2220-A LED 3500-940	25,4W	3629 lumens	142,9 lm/W	4000 K	90	D
PR 2220-A LED 4000-930	31,7 W	4143 lumens	130,4 lm/W	3000 K	90	D
PR 2220-A LED 4000-940	29,4 W	4139 lumens	140,6 lm/W	4000 K	90	D
PR 2220-A LED 4500-830	35W	4275 lumens	122 lm/W	3000 K	80	D
PR 2220-A LED 4500-840	35W	4500 lumens	128,5 lm/W	4000 K	80	D

ITEM	CONSUMPTION	LUMINOUS FLUX	SYSTEM EFFICIENCY	COLOUR TEMPERATURE	CRI	EFFICIENCY ENERGY CLASS
PR 2220-B LED 2000-930	14W	1918 lumens	137,9 lm/W	3000 K	90	D
PR 2220-B LED 2000-940	14W	2016 lumens	145 lm/W	4000 K	90	D
PR 2220-B LED 3000-830	22W	3025 lumens	137,5 lm/W	3000 K	80	D
PR 2220-B LED 3000-840	22W	3175 lumens	144 lm/W	4000 K	80	D
PR 2220-B LED 3500-930	25,4W	3434 lumens	135,2 lm/W	3000 K	90	D
PR 2220-B LED 3500-940	25,4W	3629 lumens	142,9 lm/W	4000 K	90	D
PR 2220-B LED 3800-830	28W	3700 lumens	132 lm/W	3000 K	80	D
PR 2220-B LED 3800-840	28W	3875 lumens	138 lm/W	4000 K	80	D

PR 3008 LED - PAR 46



Colour(s)



LED PROJECTORS

- Orientable projector for LED SPOT module, maximum 4 023 lumens
- CRI of 90
- MacAdam Ellipse : 2 SDCM
- Available in 2 700 K, 3 000 K, 3 500 K and 4 000 K
- 50 000 hours lamp life (L80B10)
- 3-circuits track adaptor
- Luminous efficiency of system up to 161,5 lm/W
- Housing made of painted die-cast aluminium
- Knockdown facade
- Static heat sink
- **Weight** : Approx. 2,5 kg
- **Driver(s)** : Fixed, Dimmable DALI
- **Option(s)** : Ceiling-mounted bracket (PAT)

Driver(s)



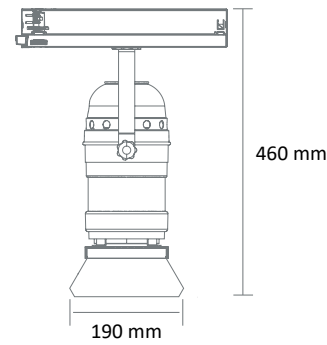
Standards

Class I | IP 20 | 650°

Beam(s)



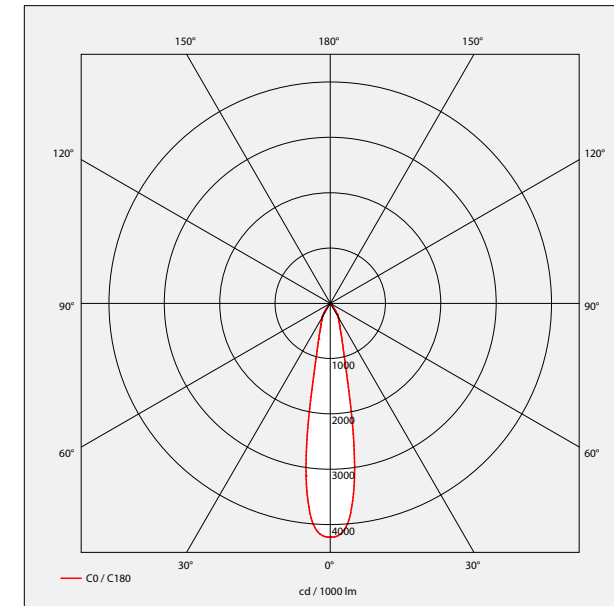
Dimensions



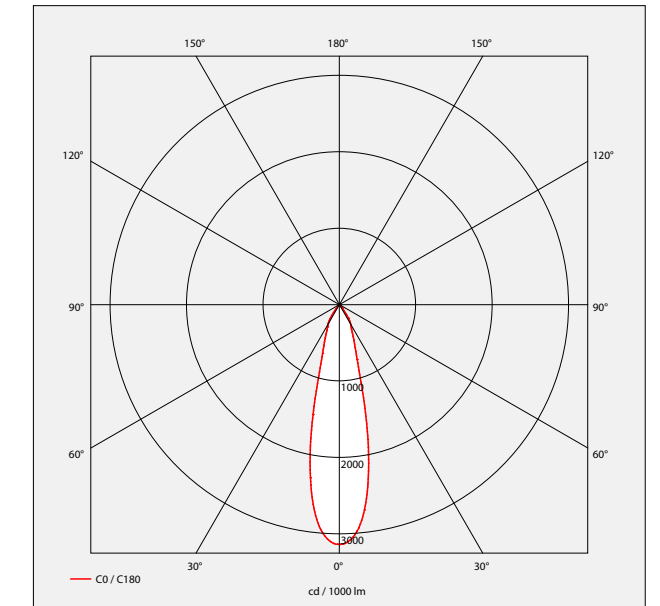
PR 3008 LED - PAR 46

LIGHT DISTRIBUTION

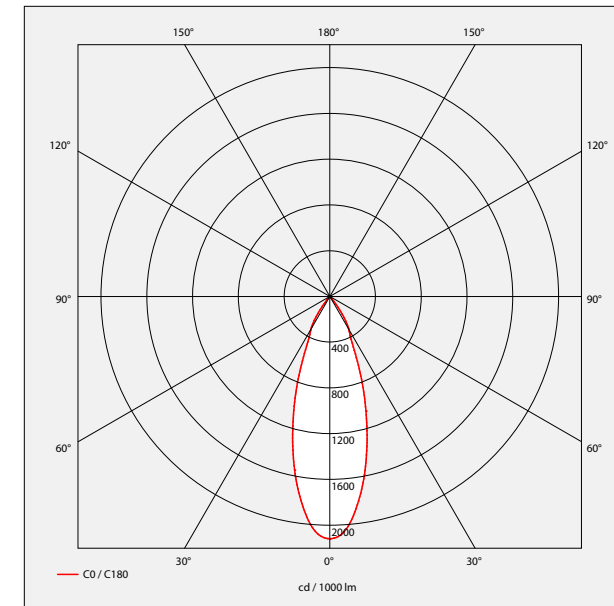
Beams 20°
LOR 90,8%



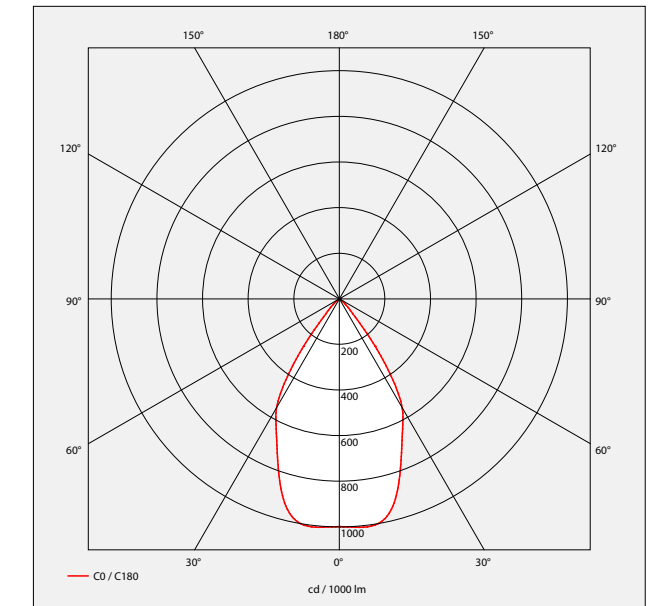
Beams 30°
LOR 88,8%



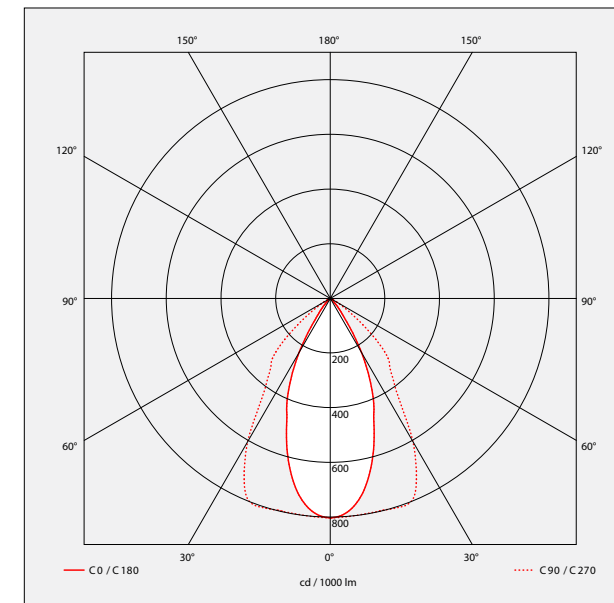
Beams 40°
LOR 88,4%



Beams 60°
LOR 93,3%



Beams ELL
LOR 87,1%



Performance of specialized lighting modules

ITEM	SECTION	POWER	CONSUMPTION	LUMINOUS FLUX	SYSTEM EFFICIENCY	COLOUR TEMPERATURE	CRI	EFFICIENCY ENERGY CLASS
PR 3008 LED 3600-927	Bakery	24,1 W	26,8 W	3567 lumens	133,2 lm/W	2700 K	90	-
PR 3008 LED 2700-930	Butchery	29,4 W	32,7 W	2733 lumens	83,7 lm/W	3000 K	90	-

High efficiency performance of the components (HE) CRI 90 with R9>80

ITEM	POWER	CONSUMPTION	LUMINOUS FLUX	SYSTEM EFFICIENCY	COLOUR TEMPERATURE	CRI	EFFICIENCY ENERGY CLASS
PR 3008 LED HE 3000-930	16,8 W	18,7 W	3010 lumens	161,3 lm/W	3000 K	90	E
PR 3008 LED HE 3000-935	16,8 W	18,7 W	2991 lumens	160,2 lm/W	3500 K	90	E
PR 3008 LED HE 3000-940	16,8 W	18,7 W	3015 lumens	161,5 lm/W	4000 K	90	E
PR 3008 LED HE 4000-930	24,1 W	26,8 W	4016 lumens	150 lm/W	3000 K	90	E
PR 3008 LED HE 4000-935	24,1 W	26,8 W	3991 lumens	149 lm/W	3500 K	90	E
PR 3008 LED HE 4000-940	24,1 W	26,8 W	4023 lumens	150,2 lm/W	4000 K	90	E

ACCENT LIGHTING

LED PROJECTORS 48V





PR 5084-A LED



LED PROJECTORS

- Orientable projector for LED SPOT module, maximum 1 498 lumens
- CRI of 95
- MacAdam Ellipse : 2 SDCM
- Available in 3 000 K, 3 500 K and 4 000 K
- 50 000 hours lamp life (L80B10)
- Luminous efficiency of system up to 95,3 lm/W
- 3-circuits track adaptor with integrated driver
- Housing made of painted powdered aluminium
- Static heat sink
- Optical silicone lens
- **Weight** : Approx. 0,5 kg
- **Driver(s)** : Fixed, Dimmable DALI, Casambi, Connect
- **Option(s)** : Elliptical optics, Honeycomb diffuser (N.AB)

Convertisseur(s)



Standards

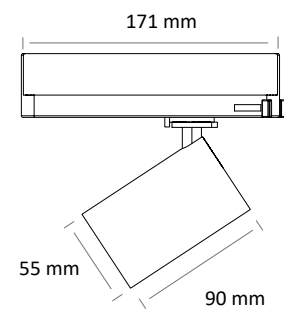
Class II | IP 20 | 650°

Beam(s)



See Table

Dimensions



PR 5084-L LED



LED PROJECTORS

- Orientable projector for LED SPOT module, maximum 1 498 lumens
- CRI of 95
- MacAdam Ellipse : 2 SDCM
- Available in 3 000 K, 3 500 K and 4 000 K
- 50 000 hours lamp life (L80B10)
- Luminous efficiency of system up to 95,3 lm/W
- 3-circuits track adaptor with integrated driver
- Housing made of painted powdered aluminium
- Static heat sink
- Optical silicone lens
- **Weight** : Approx. 0,5 kg
- **Driver(s)** : Fixed, Dimmable DALI
- **Option(s)** : Elliptical optics, Honeycomb diffuser

Driver(s)



Standards

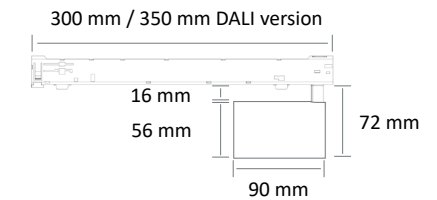
Class II | IP 20 | 650°

Beam(s)



See Table

Dimensions



ITEM	CONSUMPTION	LUMINOUS FLUX	SYSTEM EFFICIENCY	COLOUR TEMPERATURE	CRI	BEAM	DALI OPTION	EFFICIENCY ENERGY CLASS
PR 5084-A LED 600-930	9W	600 lumens	66,4 lm/W	3000 K	95	11°/25°/35°	NO	F
PR 5084-A LED 600-935	9W	600 lumens	66,4 lm/W	3500 K	95	11°/25°/35°	NO	F
PR 5084-A LED 650-940	9W	663 lumens	73,4 lm/W	4000 K	95	11°/25°/35°	NO	E
PR 5084-A LED 700-930	11,2W	717 lumens	63,7 lm/W	3000 K	95	11°/25°/35°	NO	F
PR 5084-A LED 700-935	11,2W	717 lumens	63,7 lm/W	3500 K	95	11°/25°/35°	NO	F
PR 5084-A LED 800-940	11,2W	793 lumens	70,5 lm/W	4000 K	95	11°/25°/35°	NO	E
PR 5084-A LED 900-930	15,9W	893 lumens	55,9 lm/W	3000 K	95	11°/25°/35°	YES	F
PR 5084-A LED 900-935	15,9W	893 lumens	55,9 lm/W	3500 K	95	11°/25°/35°	YES	F
PR 5084-A LED 1000-940	15,9W	987 lumens	61,8 lm/W	4000 K	95	11°/25°/35°	YES	E
PR 5084-A LED 800-930	8,9W	787 lumens	87,8 lm/W	3000 K	95	15°/25°/35°	NO	E
PR 5084-A LED 800-935	8,9W	828 lumens	92,4 lm/W	3500 K	95	15°/25°/35°	NO	D
PR 5084-A LED 850-940	8,9W	854 lumens	95,3 lm/W	4000 K	95	15°/25°/35°	NO	D
PR 5084-A LED 950-930	11W	965 lumens	87,7 lm/W	3000 K	95	15°/25°/35°	NO	E
PR 5084-A LED 1000-935	11W	1015 lumens	92,3 lm/W	3500 K	95	15°/25°/35°	NO	D
PR 5084-A LED 1050-940	11W	1047 lumens	95,2 lm/W	4000 K	95	15°/25°/35°	NO	D
PR 5084-A LED 1250-930	15,4W	1248 lumens	80,9 lm/W	3000 K	95	15°/25°/35°	YES	E
PR 5084-A LED 1300-935	15,4W	1312 lumens	85,1 lm/W	3500 K	95	15°/25°/35°	YES	D
PR 5084-A LED 1350-940	15,4W	1354 lumens	87,8 lm/W	4000 K	95	15°/25°/35°	YES	D
PR 5084-A LED 1400-930	17,9W	1381 lumens	76,9 lm/W	3000 K	95	15°/25°/35°	YES	E
PR 5084-A LED 1450-935	17,9W	1452 lumens	80,9 lm/W	3500 K	95	15°/25°/35°	YES	D
PR 5084-A LED 1500-940	17,9W	1498 lumens	83,4 lm/W	4000 K	95	15°/25°/35°	YES	D

ITEM	CONSUMPTION	LUMINOUS FLUX	SYSTEM EFFICIENCY	COLOUR TEMPERATURE	CRI	BEAM	DALI OPTION	EFFICIENCY ENERGY CLASS
PR 5084-L LED 600-930	9W	600 lumens	66,4 lm/W	3000 K	95	11°/25°/35°	NO	E
PR 5084-L LED 600-935	9W	600 lumens	66,4 lm/W	3500 K	95	11°/25°/35°	NO	NC
PR 5084-L LED 650-940	9W	663 lumens	73,4 lm/W	4000 K	95	11°/25°/35°	NO	D
PR 5084-L LED 700-930	11,2W	717 lumens	63,7 lm/W	3000 K	95	11°/25°/35°	NO	E
PR 5084-L LED 700-935	11,2W	717 lumens	63,7 lm/W	3500 K	95	11°/25°/35°	NO	NC
PR 5084-L LED 800-940	11,2W	793 lumens	70,5 lm/W	4000 K	95	11°/25°/35°	NO	D
PR 5084-L LED 900-930	15,9W	893 lumens	55,9 lm/W	3000 K	95	11°/25°/35°	YES	E
PR 5084-L LED 900-935	15,9W	893 lumens	55,9 lm/W	3500 K	95	11°/25°/35°	YES	NC
PR 5084-L LED 1000-940	15,9W	987 lumens	61,8 lm/W	4000 K	95	11°/25°/35°	YES	D
PR 5084-L LED 800-930	8,9W	787 lumens	87,8 lm/W	3000 K	95	15°/25°/35°	NO	E
PR 5084-L LED 800-935	8,9W	828 lumens	92,4 lm/W	3500 K	95	15°/25°/35°	NO	NC
PR 5084-L LED 850-940	8,9W	854 lumens	95,3 lm/W	4000 K	95	15°/25°/35°	NO	D
PR 5084-L LED 950-930	11W	965 lumens	87,7 lm/W	3000 K	95	15°/25°/35°	NO	E
PR 5084-L LED 1000-935	11W	1015 lumens	92,3 lm/W	3500 K	95	15°/25°/35°	NO	NC
PR 5084-L LED 1050-940	11W	1047 lumens	95,2 lm/W	4000 K	95	15°/25°/35°	NO	D
PR 5084-L LED 1250-930	15,4W	1248 lumens	80,9 lm/W	3000 K	95	15°/25°/35°	YES	E
PR 5084-L LED 1300-935	15,4W	1312 lumens	85,1 lm/W	3500 K	95	15°/25°/35°	YES	NC
PR 5084-L LED 1350-940	15,4W	1354 lumens	87,8 lm/W	4000 K	95	15°/25°/35°	YES	D
PR 5084-L LED 1400-930	17,9W	1381 lumens	76,9 lm/W	3000 K	95	15°/25°/35°	YES	E
PR 5084-L LED 1450-935	17,9W	1452 lumens	80,9 lm/W	3500 K	95	15°/25°/35°	YES	NC
PR 5084-L LED 1500-940	17,9W	1498 lumens	83,4 lm/W	4000 K	95	15°/25°/35°	YES	D

PR 5084-H ZOOM LED



LED PROJECTORS

- Orientable projector for LED SPOT module, maximum 1 498 lumens
- CRI of 95
- MacAdam Ellipse : 2 SDCM
- Available in 3 000 K, 3 500 K and 4 000 K
- 50 000 hours lamp life (L80B10)
- Luminous efficiency of system up to 95,3 lm/W
- 3-circuits track adaptor with integrated driver
- Housing made of painted powdered aluminium
- Static heat sink
- Optical silicone lens
- **Weight** : Approx. 0,5 kg
- **Driver(s)** : Fixed, Dimmable DALI

Driver(s)



Standards

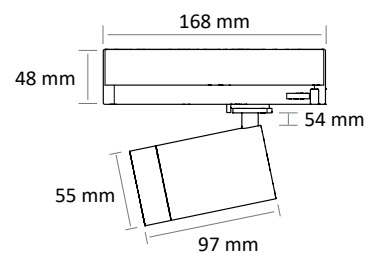
Class II | IP 20 | 650°

Beam(s)



See Table

Dimensions



Colour(s)



ITEM	CONSUMPTION	LUMINOUS FLUX	SYSTEM EFFICIENCY	COLOUR TEMPERATURE	CRI	BEAM	OPTION DALI	EFFICIENCY ENERGY CLASS
PR 5084-H-ZOOM LED 800-930	8,9W	787 lumens	87,8 lm/W	3000 K	95	14° à 46°	NO	E
PR 5084-H-ZOOM LED 800-935	8,9W	828 lumens	92,4 lm/W	3500 K	95	14° à 46°	NO	D
PR 5084-H-ZOOM LED 850-940	8,9W	854 lumens	95,3 lm/W	4000 K	95	14° à 46°	NO	D
PR 5084-H-ZOOM LED 950-930	11W	965 lumens	87,7 lm/W	3000 K	95	14° à 46°	NO	E
PR 5084-H-ZOOM LED 1000-935	11W	1015 lumens	92,3 lm/W	3500 K	95	14° à 46°	NO	D
PR 5084-H-ZOOM LED 1050-940	11W	1047 lumens	95,2 lm/W	4000 K	95	14° à 46°	NO	D
PR 5084-H-ZOOM LED 1250-930	15,4W	1248 lumens	80,9 lm/W	3000 K	95	14° à 46°	YES	E
PR 5084-H-ZOOM LED 1300-935	15,4W	1312 lumens	85,1 lm/W	3500 K	95	14° à 46°	YES	D
PR 5084-H-ZOOM LED 1350-940	15,4W	1354 lumens	87,8 lm/W	4000 K	95	14° à 46°	YES	D
PR 5084-H-ZOOM LED 1400-930	17,9W	1381 lumens	76,9 lm/W	3000 K	95	14° à 46°	YES	E
PR 5084-H-ZOOM LED 1450-935	17,9W	1452 lumens	80,9 lm/W	3500 K	95	14° à 46°	YES	D
PR 5084-H-ZOOM LED 1500-940	17,9W	1498 lumens	83,4 lm/W	4000 K	95	14° à 46°	YES	D

Beam adjustment



Beam adjustable by rotation of the front ring of the projector

PR 5084-D LED 48V



LED PROJECTORS

- Orientable projector for LED SPOT module, maximum 1 498 lumens
- CRI of 95
- MacAdam Ellipse : 2 SDCM
- Available in 3 000 K, 3 500 K and 4 000 K
- 50 000 hours lamp life (L80B10)
- Luminous efficiency of system up to 101,1 lm/W
- 48V rail adapter with integrated driver
- Housing made of powder die-cast aluminium
- Static heat sink
- Optical silicone lens
- **Weight** : Approx. 0,5 kg
- **Driver(s)** : Fixed, Dimmable DALI
- **Option(s)** : Elliptical optics, Honeycomb diffuser

Driver(s)



Standards

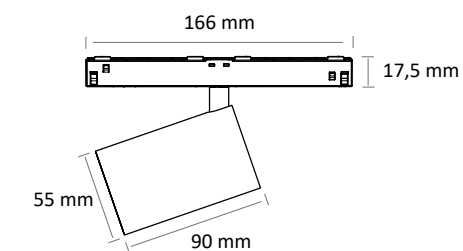
Class II | IP 20 | 650°

Beam(s)



See Table

Dimensions



Colour(s)



ITEM	CONSUMPTION	LUMINOUS FLUX	SYSTEM EFFICIENCY	COLOUR TEMPERATURE	CRI	BEAM	EFFICIENCY ENERGY CLASS
PR 5084-D LED 48V 700-930	10,6W	717 lumens	67,7 lm/W	3000 K	95	11°/25°/35°	E
PR 5084-D LED 48V 700-935	10,6W	717 lumens	67,7 lm/W	3500 K	95	11°/25°/35°	D
PR 5084-D LED 48V 800-940	10,6W	793 lumens	74,9 lm/W	4000 K	95	11°/25°/35°	D
PR 5084-D LED 48V 900-930	15,4W	893 lumens	57,9 lm/W	3000 K	95	11°/25°/35°	E
PR 5084-D LED 48V 1000-935	15,4W	893 lumens	57,9 lm/W	3500 K	95	11°/25°/35°	D
PR 5084-D LED 48V 1000-940	15,4W	987 lumens	64 lm/W	4000 K	95	11°/25°/35°	D
PR 5084-D LED 48V 1000-930	10,3W	965 lumens	93,7 lm/W	3000 K	95	11°/25°/35°	E
PR 5084-D LED 48V 1000-935	10,3W	1015 lumens	98 lm/W	3500 K	95	11°/25°/35°	D
PR 5084-D LED 48V 1050-940	10,3W	1047 lumens	101,1 lm/W	4000 K	95	11°/25°/35°	D
PR 5084-D LED 48V 1250-930	15W	1248 lumens	82,9 lm/W	3000 K	95	15°/25°/35°	E
PR 5084-D LED 48V 1300-935	15W	1312 lumens	87,1 lm/W	3500 K	95	15°/25°/35°	D
PR 5084-D LED 48V 1350-940	15W	1354 lumens	89,9 lm/W	4000 K	95	15°/25°/35°	D
PR 5084-D LED 48V 1400-930	17,5W	1381 lumens	78,8 lm/W	3000 K	95	15°/25°/35°	E
PR 5084-D LED 48V 1450-935	17,5W	1452 lumens	82,8 lm/W	3500 K	95	15°/25°/35°	D
PR 5084-D LED 48V 1500-940	17,5W	1498 lumens	85,5 lm/W	4000 K	95	15°/25°/35°	D

WALL WASHERS





LE SNACKING

PR 5051-D LED



Colour(s):



WALL WASHERS LED

- Orientable track suspended luminaire, LED SPOT module, maximum 4 685 lumens
- CRI of 80 or 90
- MacAdam Ellipse : 2 SDCM
- Available in 2 500 K, 3 000 K, 3 500 K or 4 000 K
- 50 000 hours lamp life (L80B10)
- Luminous efficiency of system up to 152,2 lm/W
- 3-circuits track adaptor
- Housing made of cast aluminium
- Static heat sink
- **Weight** : Approx. 1,5 kg
- **Driver(s)** : Fixed, Dimmable DALI, Casambi, Connect

Driver(s)



Standards

Class I | IP 20 | 650°

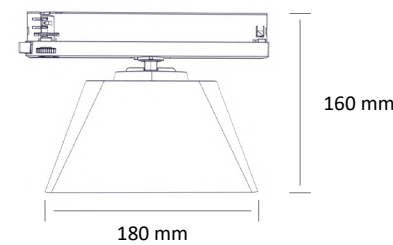
Dimensions



Beam(s)



Driver(s)



Performance of specialized lighting modules

ITEM	SECTION	POWER	CONSUMPTION	LUMINOUS FLUX	SYSTEM EFFICIENCY	COLOUR TEMPERATURE	CRI	SYSTEM EFFICIENCY CLASS
PR 5051-D LED 2200-925	Bakery	23,7 W	27,9 W	2171 lumens	77,9 lm/W	2500 K	90	-
PR 5051-D LED 2300-930	Butchery	23,7 W	27,9 W	2158 lumens	74,4 lm/W	3000 K	90	-

High efficiency performance of the components (HE) CRI 90 with R9>80

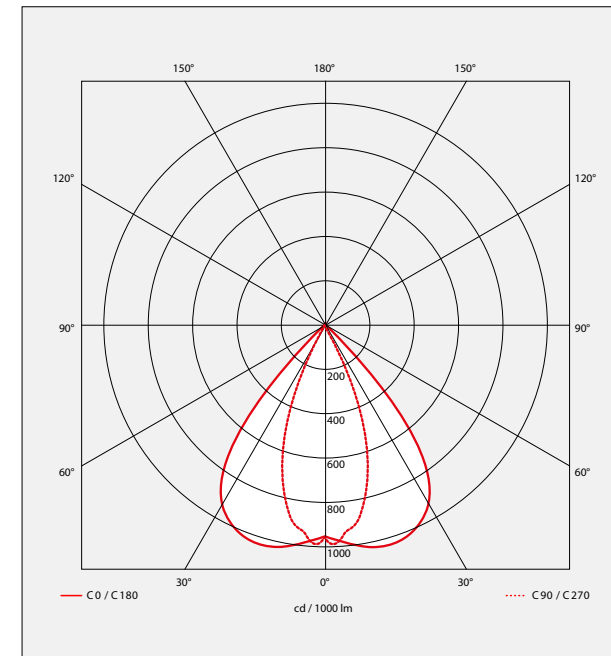
ITEM	POWER	CONSUMPTION	LUMINOUS FLUX	SYSTEM EFFICIENCY	COLOUR TEMPERATURE	CRI	SYSTEM EFFICIENCY CLASS
PR 5051-D LED HE 3000-930	16,8 W	18,7 W	3010 lumens	161,3 lm/W	3000 K	90	E
PR 5051-D LED HE 3000-935	16,8 W	18,7 W	2991 lumens	160,2 lm/W	3500 K	90	E
PR 5051-D LED HE 3000-940	16,8 W	18,7 W	3015 lumens	161,5 lm/W	4000 K	90	E
PR 5051-D LED HE 4000-930	24,1 W	26,8 W	4016 lumens	150 lm/W	3000 K	90	E
PR 5051-D LED HE 4000-935	24,1 W	26,8 W	3991 lumens	149 lm/W	3500 K	90	E
PR 5051-D LED HE 4000-940	24,1 W	26,8 W	4023 lumens	150,2 lm/W	4000 K	90	E

PR 5051-D LED

■ LIGHT DISTRIBUTION

Beam : 44x80°
Efficiency 96,5%

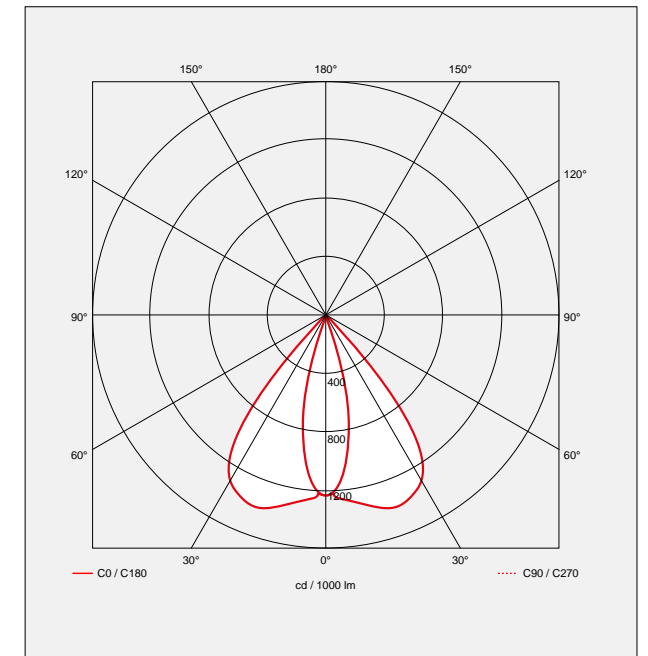
ELL



Elliptical :
Ideal for visual and wall-washer lighting.

Beam 30x79°
Efficiency 96,3%

UELL



Ultra-elliptical :
Designed for specific lighting of wall shelving.
The installation must be between 3 and 3.5 m high.

LS 5017-E LED



Colour(s)



Light distribution



SYM DASY



WALL WASHERS LED

- Track suspended luminaire for LINEAR LED module(s), maximum 4 579 lumens
- CRI of 80
- MacAdam Ellipse : 3 SDCM
- Available in 3 000 K and 4 000 K
- 50 000 hours lamp life (L80B20)
- Luminous efficiency of system up to 160 lm/W
- 3 circuits track adaptor
- Housing made of prelacquered steel
- Cluster optical with lens, made of polymethyl methacrylate (PMMA)
- Static heat sink
- Optical compartment protected against shocks and dust
- Weight** : Approx. 1,4 kg
- Driver(s)** : Fixed, Dimmable DALI, Casambi, Connect
- Option(s)** : Asymmetrical Double (DASY)

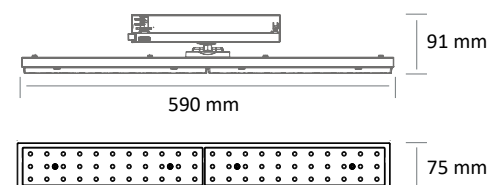
Driver(s)



Standards

Class II | IP 20 | 650° | IK 10

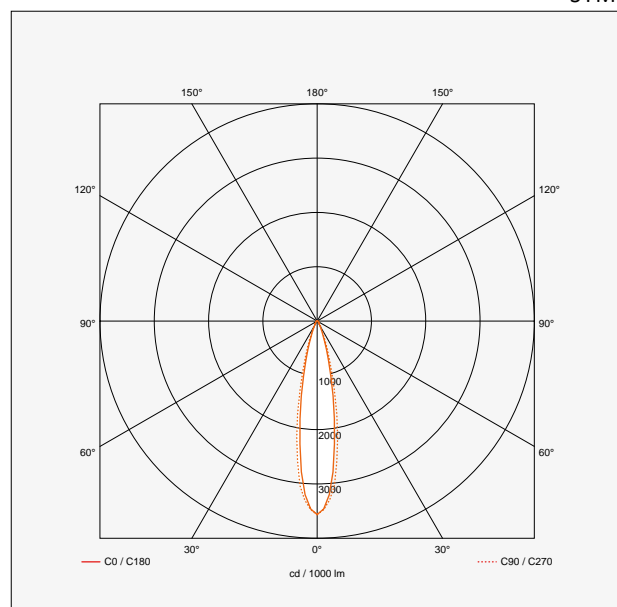
Dimensions



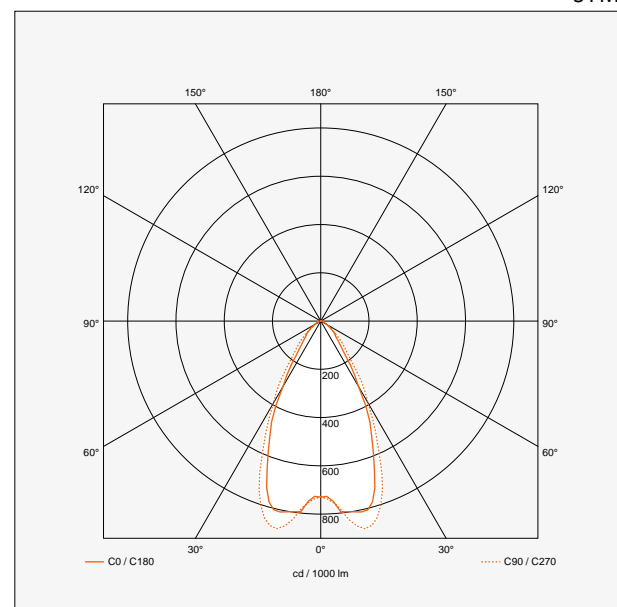
ITEM	NB OF MODULES	POWER	CONSUMPTION	LUMINOUS FLUX	SYSTEM EFFICIENCY	COLOUR TEMPERATURE	CRI	EFFICIENCY ENERGY CLASS
LS 5017-E LED 3100-830	2	18,7 W	20,1 W	3057 lumens	152 lm/W	3000 K	80	D
LS 5017-E LED 3100-840	2	18,7 W	20,1 W	3218 lumens	160 lm/W	4000 K	80	D
LS 5017-E LED 4400-830	2	28,9 W	30,1 W	4348 lumens	144,5 lm/W	3000 K	80	D
LS 5017-E LED 4400-840	2	28,9 W	30,1 W	4579 lumens	152 lm/W	4000 K	80	D

PHOTOMETRIES

LOR 82 %
Symmetric light distribution 30°

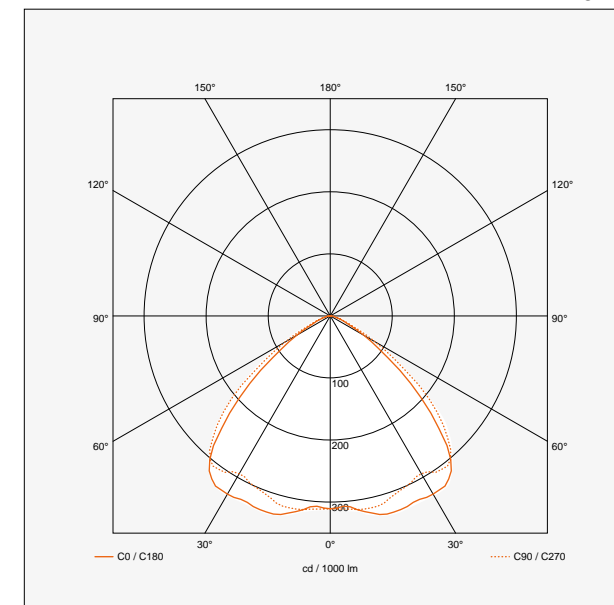


LOR 84 %
Symmetric light distribution 60° - BJB

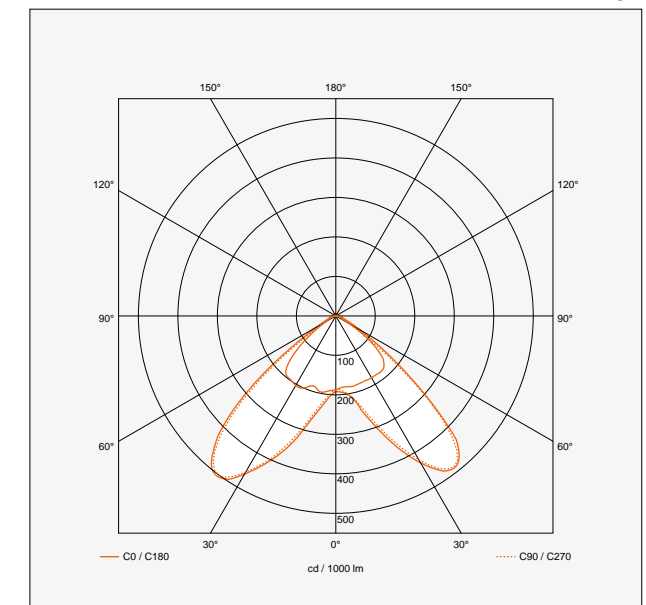


LS 5017-E LED

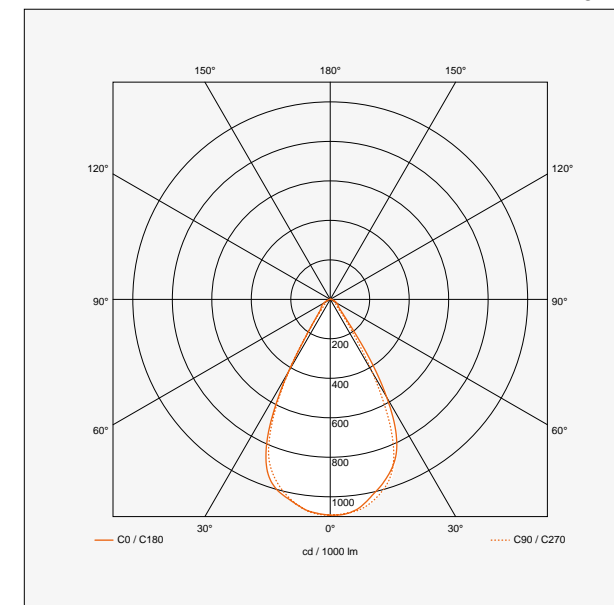
LOR 84 %
Symmetric light distribution 90° - BJB



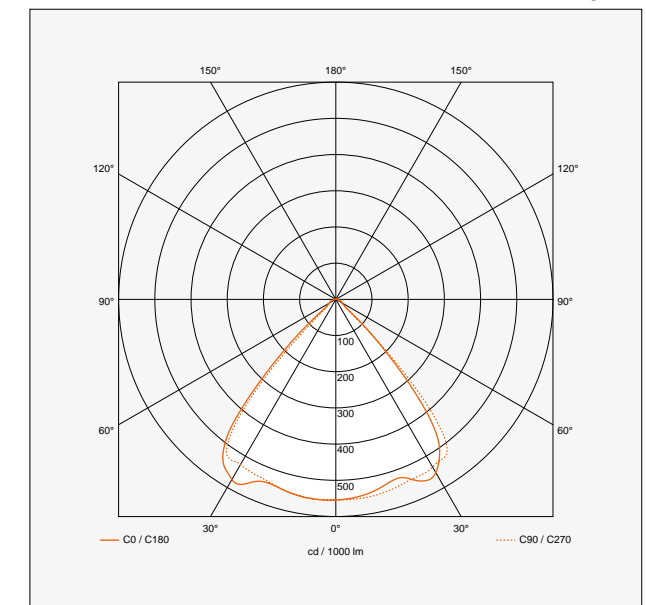
LOR 95 %
Double Asymmetric light distribution at 40°



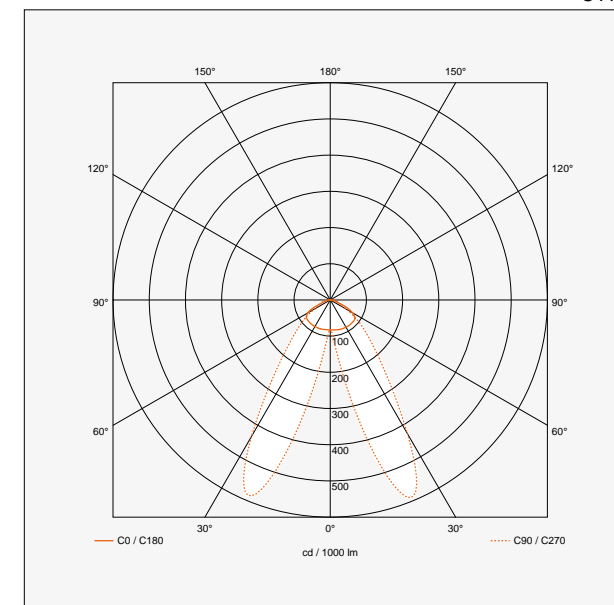
LOR 96 %
Symmetric light distribution 60° - LEDIL



LOR 97 %
Symmetric light distribution 90° - LEDIL



LOR 96 %
Double Asymmetric light distribution at 25°



LS 3945-B LED DASY



Colour(s)



Light distribution



DASY



WALL WASHERS LED

- Track suspended luminaire for LED SPOT module(s), maximum 11 876 lumens
- CRI of 80 or 90
- MacAdam Ellipse : 3 SDCM
- Available in 3 000 K and 4 000 K
- 50 000 hours lamp life (L80B10)
- Luminous efficiency of system up to 142 lm/W
- 3 circuits track adaptor
- Housing made of prelacquered steel
- Primary reflector made of injected plastic, Silver finish
- Secondary reflector made of Miro Silver available in Miro 8 (M8) or Miro 20 (M20) quality
- Static heat sink
- Weight** : Approx. 5 kg
- Number of module(s)** : 2
- Driver(s)** : Fixed, Dimmable DALI

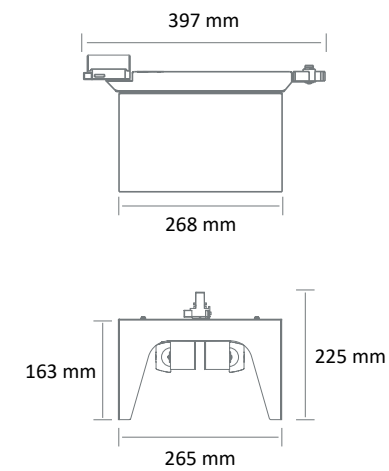
Driver(s)



Standards

Class I | IP 20 | 650°

Dimensions



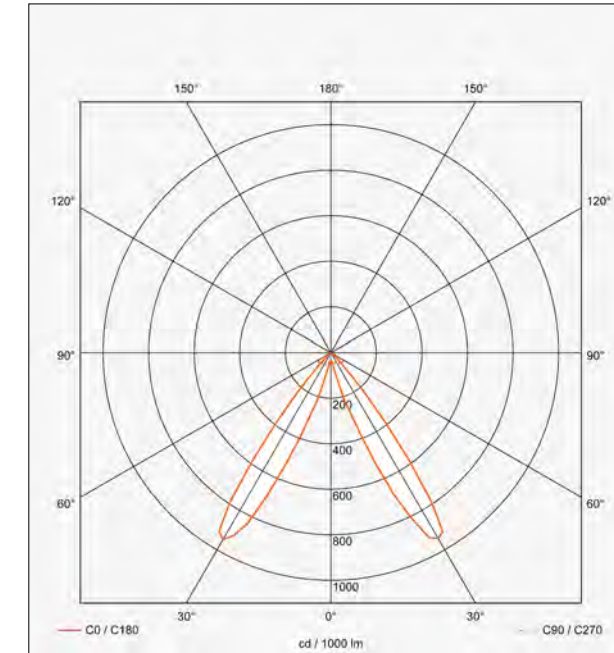
ITEM	CONSUMPTION	LUMINOUS FLUX	SYSTEM EFFICIENCY	COLOUR TEMPERATURE	CRI
LS 3945-B LED DASY 9000-830	2x31,9W	2x4422 lumens	138,5 lm/W	3 000 K	80
LS 3945-B LED DASY 9000-840	2x31,9W	2x4536 lumens	142 lm/W	4 000 K	80
LS 3945-B LED DASY 9000-930	2x41,1W	2x4531 lumens	110 lm/W	3 000 K	90
LS 3945-B LED DASY 9000-940	2x41,1W	2x4841 lumens	117,5 lm/W	4 000 K	90
LS 3945-B LED DASY 11000-830	2x41,6W	2x5566 lumens	133,5 lm/W	3 000 K	80
LS 3945-B LED DASY 11000-840	2x41,6W	2x5710 lumens	137 lm/W	4 000 K	80
LS 3945-B LED DASY 11000-930	2x53,9W	2x5557 lumens	103 lm/W	3 000 K	90
LS 3945-B LED DASY 11000-940	2x53,9W	2x5938 lumens	110 lm/W	4 000 K	90

LS 3945-B LED DASY

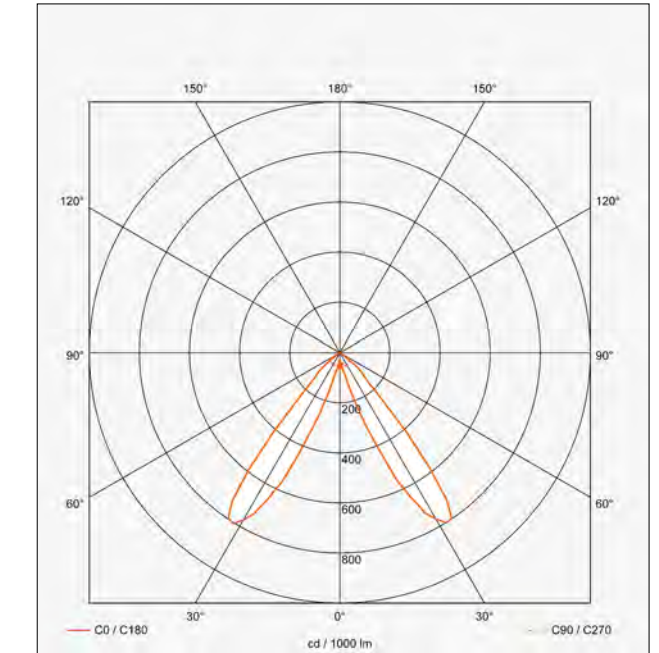
TECHNICALS INFORMATION

LIGHT DISTRIBUTION

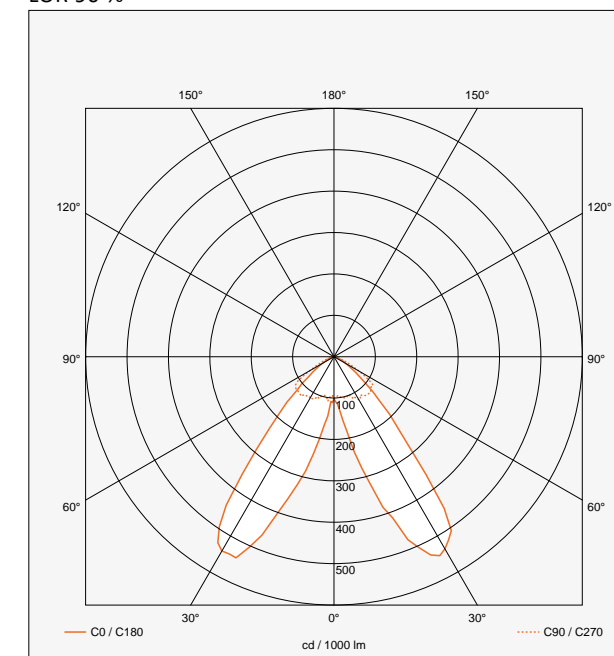
Type M8 top reflector*
LOR 90 %



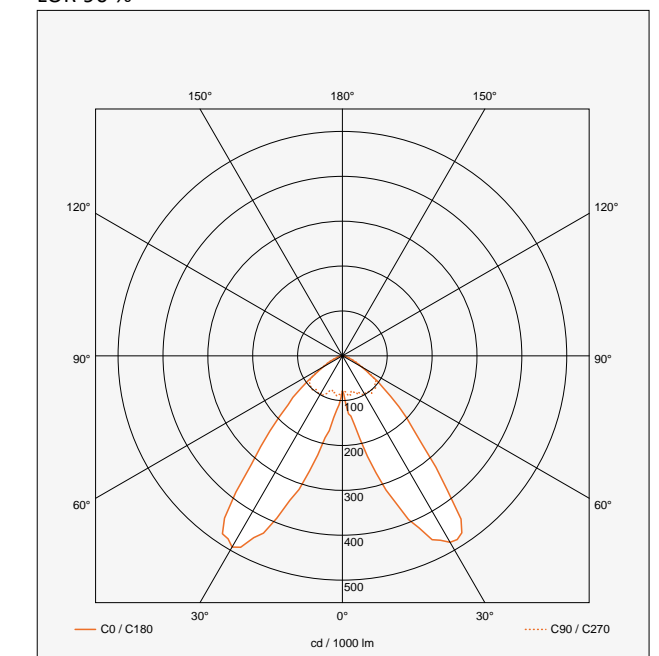
Type M8 low reflector**
LOR 90 %



Type M20 top reflector*
LOR 90 %



Type M20 low reflector**
LOR 90 %



* Type top : Advised reflector for track installation at 3m50 height

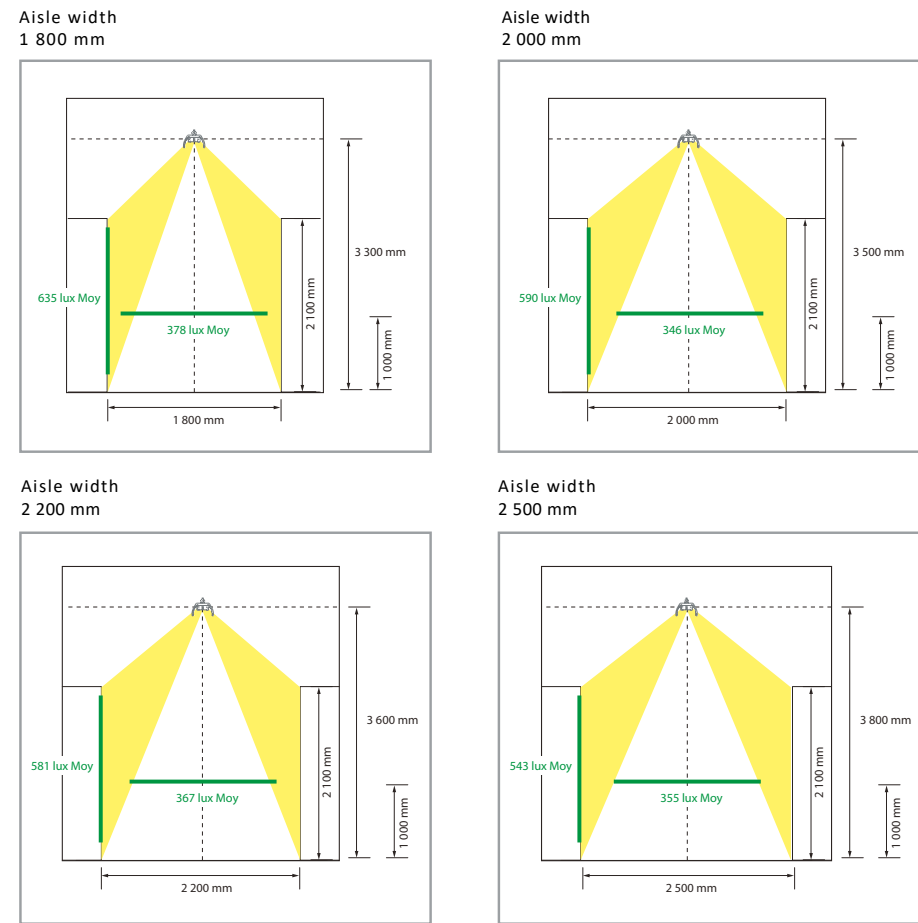
** Type low : Advised reflector for track installation between 2m80 and 3m20 height

ADVISED CONFIGURATION

(0,9 LIGHTING DEPRECIATION)

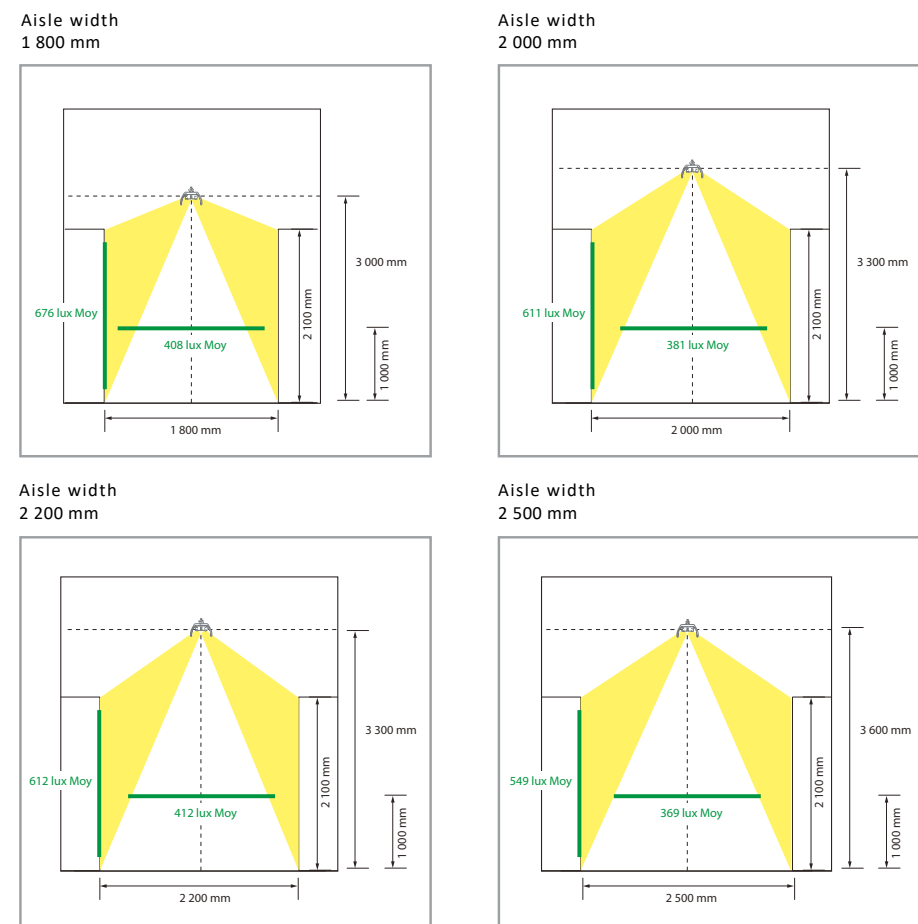
TYPE M8 TOP REFLECTOR
(TRACK INSTALLED AT 3M50 HEIGHT)

■ CONFIGURATION :
- 4 500 LUMENS



TYPE M8 LOW REFLECTOR
(TRACK INSTALLED BETWEEN 2M80 AND 3M20 HEIGHT)

■ CONFIGURATION :
- 4 500 LUMENS

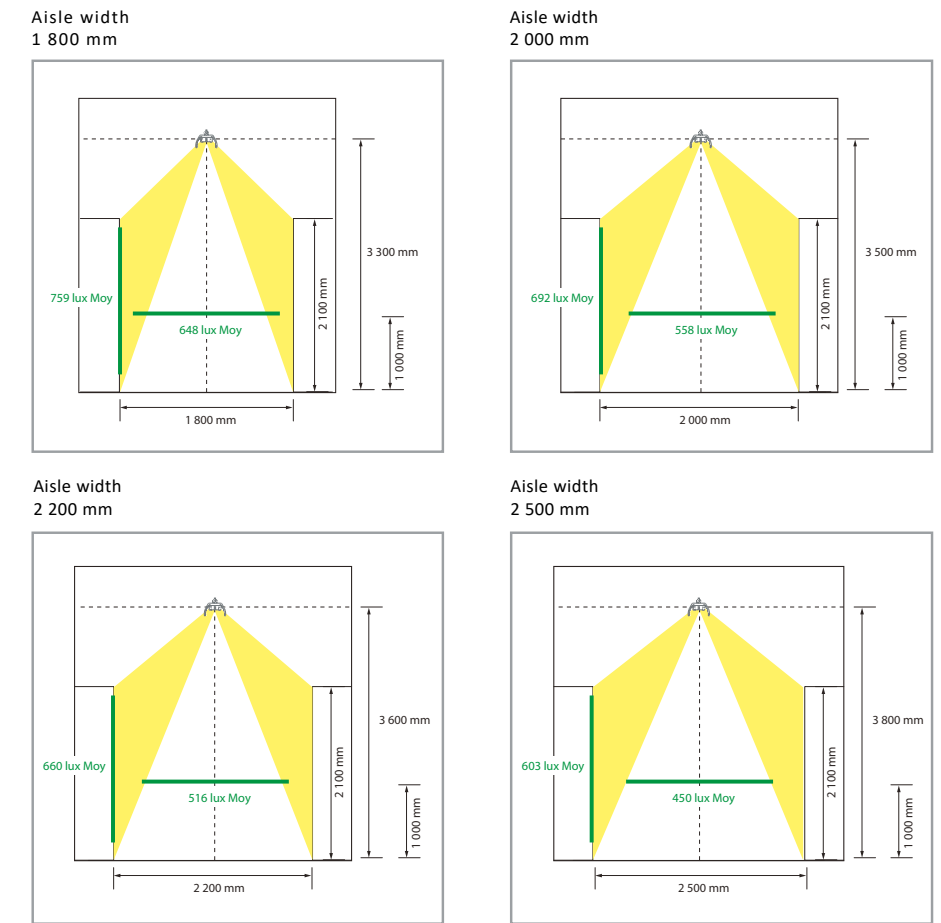


ADVISED CONFIGURATION

(0,9 LIGHTING DEPRECIATION)

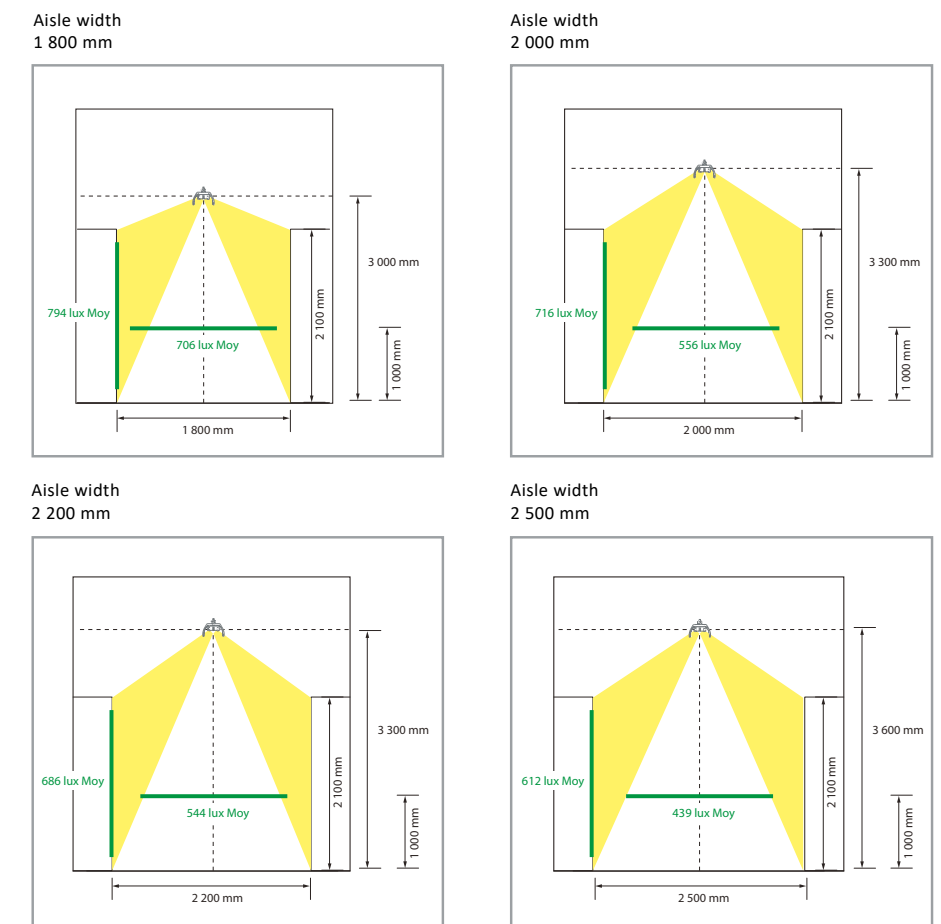
TYPE M20 TOP REFLECTOR
(TRACK INSTALLED AT 3M50 HEIGHT)

■ CONFIGURATION :
- 2 X 4 500 LUMENS



TYPE M20 LOW REFLECTOR
(TRACK INSTALLED BETWEEN 2M80 AND 3M20 HEIGHT)

■ CONFIGURATION :
- 2 X 4 500 LUMENS



LS 3945-E LED ASY



Colour(s)



Light distribution



ASY



WALL WASHERS LED

- Track suspended luminaire for LED SPOT module(s), maximum 5 710 lumens
- CRI of 80 or 90
- MacAdam Ellipse : 3 SDCM
- Available in 3 000 K and 4 000 K
- 50 000 hours lamp life (L80B10)
- Luminous efficiency of system up to 142 lm/W
- 3 circuits track adaptor
- Housing made of prelacquered steel
- Primary reflector made of injected plastic, Silver finish
- Secondary reflector made of Miro Silver available in Miro 8 (M8) or Miro 20 (M20) quality
- Static heat sink
- Weight** : Approx. 2,8 kg
- Number of module(s)** : 1
- Driver(s)** : Fixed, Dimmable DALI

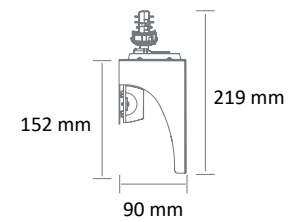
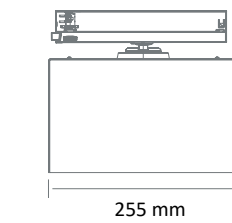
Driver(s)



Standards

Class I | IP 20 | 650°

Dimensions



LS 3945-E LED ASY

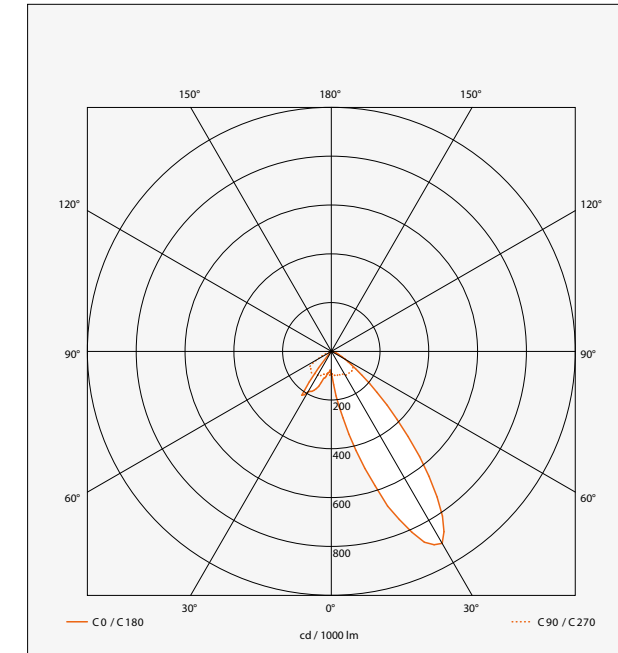
TECHNICALS INFORMATION

PERFORMANCES

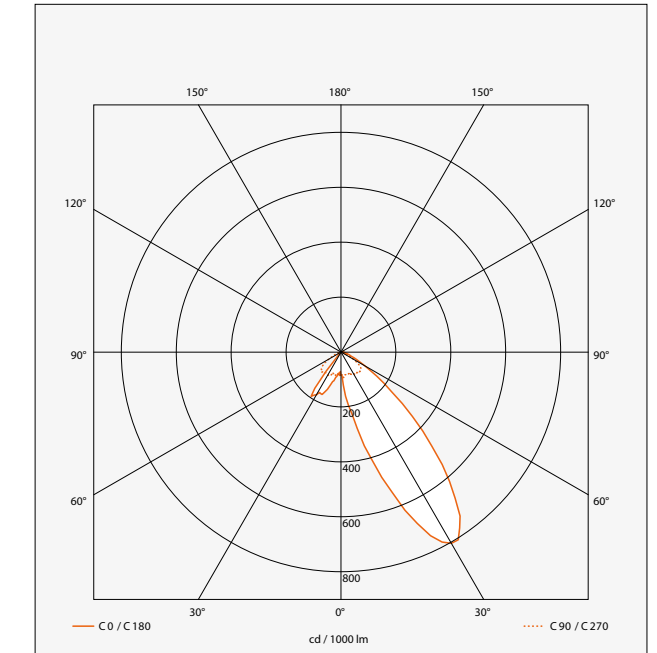
ITEM	CONSUMPTION	LUMINOUS FLUX	SYSTEM EFFICIENCY	COLOUR TEMPERATURE	CRI
LS 3945-E LED ASY 3500-930	31,9 W	3599 lumens	112,5 lm/W	3 000 K	90
LS 3945-E LED ASY 3500-940	31,9 W	3846 lumens	120,5 lm/W	4 000 K	90
LS 3945-E LED ASY 4500-830	31,9 W	4422 lumens	138,5 lm/W	3 000 K	80
LS 3945-E LED ASY 4500-840	31,9 W	4536 lumens	142 lm/W	4 000 K	80
LS 3945-E LED ASY 4500-930	41,6 W	4531 lumens	109 lm/W	3 000 K	90
LS 3945-E LED ASY 4500-940	41,6 W	4841 lumens	116 lm/W	4 000 K	90
LS 3945-E LED ASY 5500-830	41,6 W	5566 lumens	133,5 lm/W	3 000 K	80
LS 3945-E LED ASY 5500-840	41,6 W	5710 lumens	137 lm/W	4 000 K	80

LIGHT DISTRIBUTION

Type A reflector*
LOR 90 %



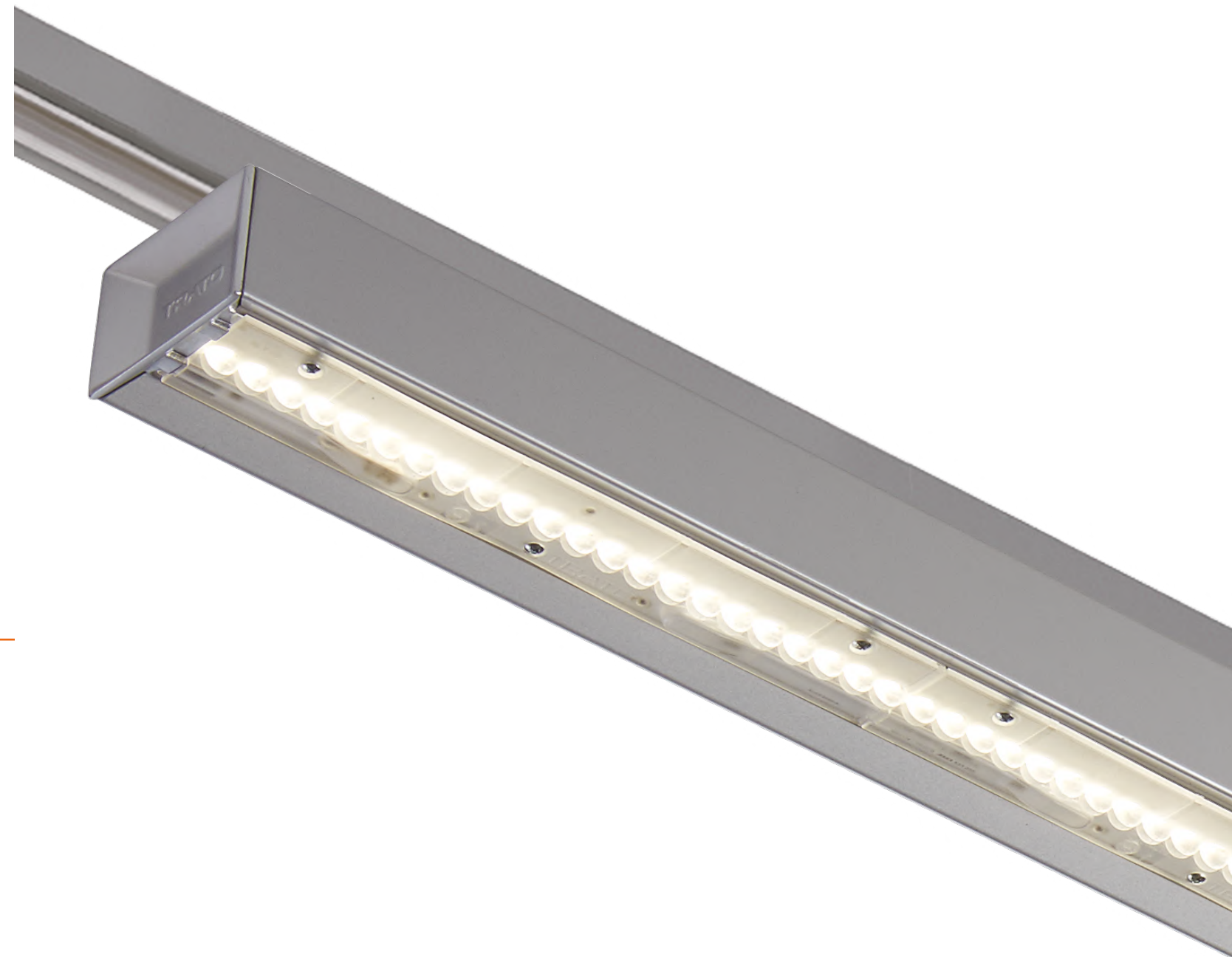
Type A reflector*
LOR 90 %



* Type A : Advised reflector for track installation between 2m80 and 3m20 height

GENERAL LIGHTING

LED LIGHTING
FIXTURES





▲ NEW GENERATION OPTICS ▲ TRATO MICROSTRUCTURED FREEFORM

▲ TRATO MICROSTRUCTURED FREEFORM OPTICS

Precision for performance

At TRATO, we know that **the synergy between quality optics and a high-performance LED module is the key to optimum luminous efficiency**. That's why we've developed a new generation of optic solutions combined with innovative linear LED modules, designed to meet the highest requirements on the market.

A breakthrough technology : the freeform microstructure

Our **TMF (TRATO Microstructured Freeform)** lenses use **advanced optical technology** based on geometric microstructuring, able to direct light with an **exceptional precision**.

Result :

- An **increased energy efficiency**,
- A **perfect chromatic homogeneity**,
- A **significant reduction of glare**,
- And a **superior visual comfort**, whatever of the observer's position.

Technical performance :

- Distributions available : **Symmetrical, Asymmetrical, Double Asymmetrical**
- **Color Over Angle (COA) correction** for homogeneous colour reproduction
- **Freeform technology** : targeted and controlled light distribution
- Optimised flows and **better thermal management**

▲ CUSTOM GEN4 LINEAR MODULES

Versatility, robustness and lighting excellence

Gen4 linear LED modules have been designed to adapt to a wide variety of projects, from the most economical to the most technical, while guaranteeing **exceptional durability**.

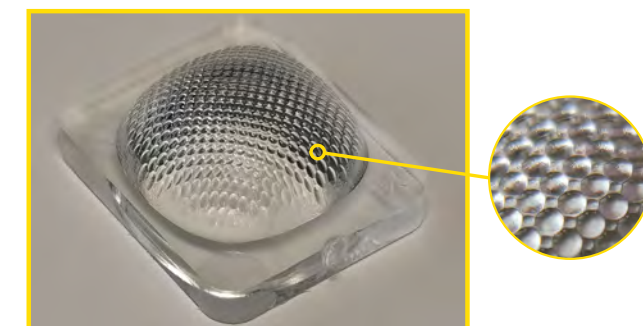
Two available versions :

- **Middle Flux – Affordable & Efficient**
Ideal for installations with restrictive budget without compromising performance. Versatile use.
- **High Flux – Premium & Superior Chromatic Rendering**
Designed for applications requiring a high colour rendering index (R9), such as textiles and decoration. Suitable for the retail sector.

Key benefits :

- **ENEC Certification**
- **5 years guarantee**
- **High luminous flux retention** over time
- **Conforms to the most strict performance and safety standards**

Geometric microstructuring of the lens



OPTIMUM SYNERGY : MODULE + OPTICS

Combining **TMF lenses** with **Gen4 LED modules** creates a **complete and intelligent** lighting solution. This complementarity allows to :

- **Maximise optical efficiency**,
- **Guarantee controlled light diffusion**,
- **And ensure chromatic consistency** across the entire beam.

ALL PRODUCTS COMPATIBLE WITH THE TMF LENS CONTAIN THE PICTOGRAM :



LS 5017-J LED



Colour(s)



Light distribution



SYM DASY ELL SI

TMF

SUSPENDED LUMINAIRE ■ LED

- Track suspended luminaire for LINEAR LED module(s), maximum 12 750 lumens
- CRI of 80
- MacAdam Ellipse : 3 SDCM
- Available in 3 000 K and 4 000 K
- Middle flux module 100 000 hours lamp life (L80B10), 50 000h (L90B10)
- High flux module 100 000 hours lamp life (L90B10)
- Luminous efficiency of system up to 186,5 lm/W
- 3 circuits track adaptor
- Housing made of prelacquered steel
- Cluster optical with lens, made of Polycarbonate (PC)
- Static heat sink
- Optical compartment protected against shocks and dust
- Weight** : Approx. 2 kg
- Driver(s)** : Fixe, Dimmable DALI, Casambi, Connect
- Option** : Rotation blocking in the axis and at 90 °
- Photobiological risk group RGO**
- ENEC-labelled component and driver
- Red rendering (R9) : R9>50 (High flux), R9>0 (Middle flux)

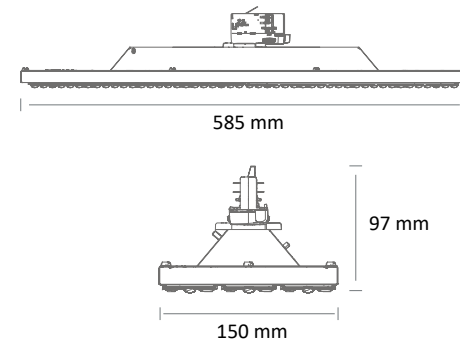
Driver(s)



Standards

Class I | IP 20 | 650° | IK 10

Dimensions



LS 5017-J LED

PERFORMANCES OF THE COMPONENTS HIGH FLUX

ITEM	NB OF MODULE(S)	CONSUMPTION	LUMINOUS FLUX	SYSTEM EFFICIENCY	COLOUR TEMPERATURE	CRI	EFFICIENCY ENERGY CLASS
LS 5017-J LED H 4600 HE-830	2	26,5 W	4640 lumens	175 lm/W	3000 K	80	C
LS 5017-J LED H 4600 HE-840	2	26,5 W	4740 lumens	178,7 lm/W	4000 K	80	C
LS 5017-J LED H 6600 HE-830	3	38,1 W	6960 lumens	182,6 lm/W	3000 K	80	C
LS 5017-J LED H 6600 HE-840	3	38,1 W	7110 lumens	186,5 lm/W	4000 K	80	C
LS 5017-J LED H 7000-830	2	40,8 W	7100 lumens	173,6 lm/W	3000 K	80	C
LS 5017-J LED H 7000-840	2	40,8 W	7240 lumens	177 lm/W	4000 K	80	C
LS 5017-J LED H 8000-830	2	48,4 W	8340 lumens	172,1 lm/W	3000 K	80	C
LS 5017-J LED H 8000-840	2	48,4 W	8500 lumens	175,4 lm/W	4000 K	80	C
LS 5017-J LED H 10500-830	3	59,4 W	10650 lumens	179,1 lm/W	3000 K	80	C
LS 5017-J LED H 10500-840	3	59,4 W	10860 lumens	182,6 lm/W	4000 K	80	C
LS 5017-J LED H 12000-830	3	71,1 W	12510 lumens	175,7 lm/W	3000 K	80	C
LS 5017-J LED H 12000-840	3	71,1 W	12750 lumens	179,1 lm/W	4000 K	80	C

PERFORMANCES OF THE COMPONENTS MIDDLE FLUX

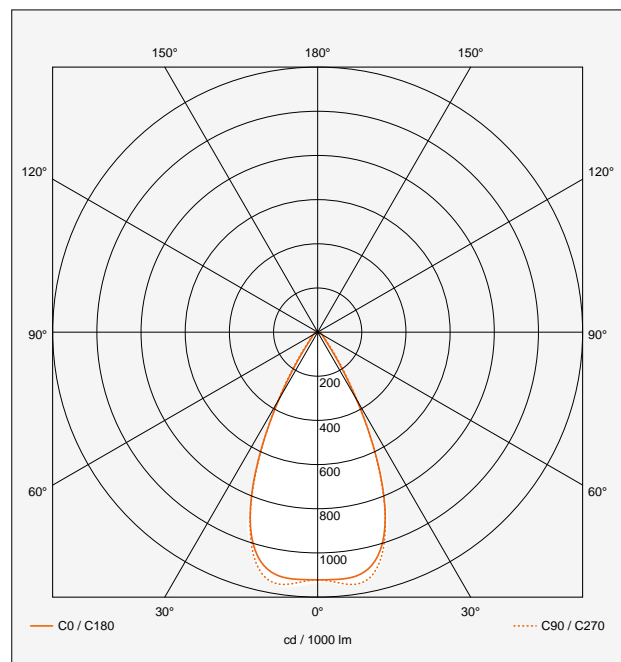
ITEM	NB OF MODULE(S)	CONSUMPTION	LUMINOUS FLUX	SYSTEM EFFICIENCY	COLOUR TEMPERATURE	CRI	EFFICIENCY ENERGY CLASS
LS 5017-J LED M 4600-830	2	26,4 W	4480 lumens	169,2 lm/W	3000 K	80	C
LS 5017-J LED M 4600-840	2	26,4 W	4680 lumens	176,8 lm/W	4000 K	80	C
LS 5017-J LED M 6600-830	3	38 W	6750 lumens	177,5 lm/W	3000 K	80	C
LS 5017-J LED M 6600-840	3	38 W	7080 lumens	186,2 lm/W	4000 K	80	C
LS 5017-J LED M 7000 HO-830	2	40,8 W	6840 lumens	167,6 lm/W	3000 K	80	C
LS 5017-J LED M 7000 HO-840	2	40,8 W	7160 lumens	175,4 lm/W	4000 K	80	C
LS 5017-J LED M 8500-830	3	48,8 W	8490 lumens	173,9 lm/W	3000 K	80	C
LS 5017-J LED M 8500-840	3	48,8 W	8880 lumens	181,9 lm/W	4000 K	80	C
LS 5017-J LED M 10500 HO-830	3	59,7 W	10260 lumens	171,7 lm/W	3000 K	80	C
LS 5017-J LED M 10500 HO-840	3	59,7 W	10740 lumens	179,7 lm/W	4000 K	80	C

■ LIGHT DISTRIBUTION

Semi-intensive light distribution
LOR 96 %



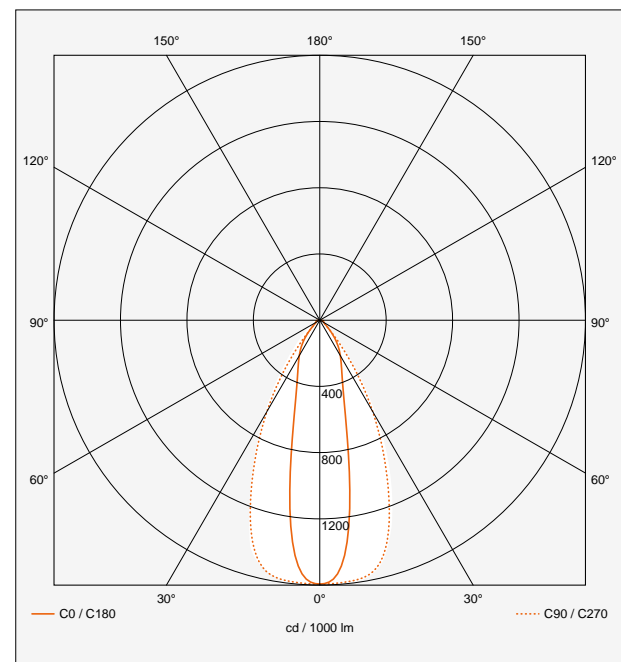
SI



Elliptical light distribution
LOR 96,5 %



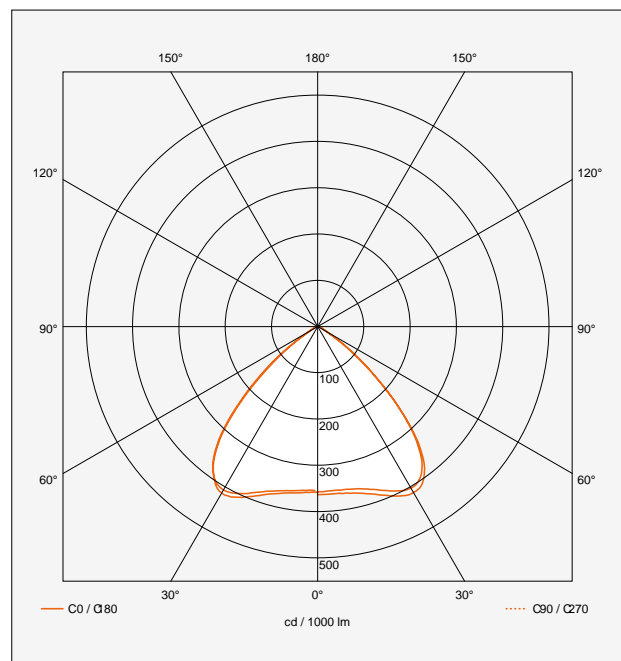
ELL



Symmetrical light distribution
LOR 97 %



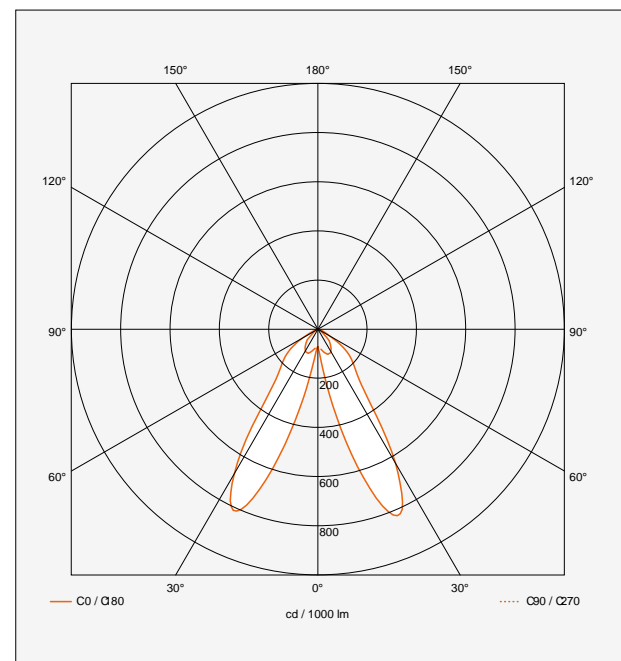
SYM



Double Asymmetric light distribution
LOR 97 %



DASY



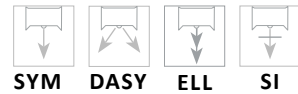
LS 5017-K LED



Colour(s)



Light distribution



TMF

SUSPENDED LUMINAIRE ■ LED

- Track suspended luminaire for LINEAR LED module, maximum 12 750 lumens
- CRI of 80
- MacAdam Ellipse : 3 SDCM
- Available in 3 000 K and 4 000 K
- Middle flux module 100 000 hours lamp life (L80B10), 50 000h (L90B10)
- High flux module 100 000 hours lamp life (L90B10)
- Luminous efficiency of system up to 186,5 lm/W
- 3 circuits track adaptor
- Housing made of prelacquered steel
- Cluster optical composed of lenses, polycarbonate (PC)
- Static heat sink
- Optical compartment protected against shocks and dust
- Driver(s)** : Fixed, Dimmable DALI, Casambi, Connect
- ENEC-labelled component and driver
- Red rendering (R9) : R9>50 (High flux), R9>0 (Middle flux)

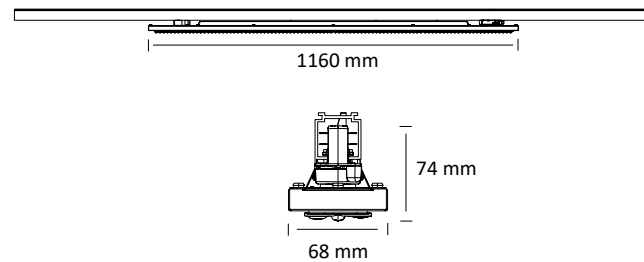
Driver(s)



Standards

Class I | IP 20 | 650° | IK 10

Dimensions



LS 5017-K LED

PERFORMANCES OF THE COMPONENTS HIGH FLUX

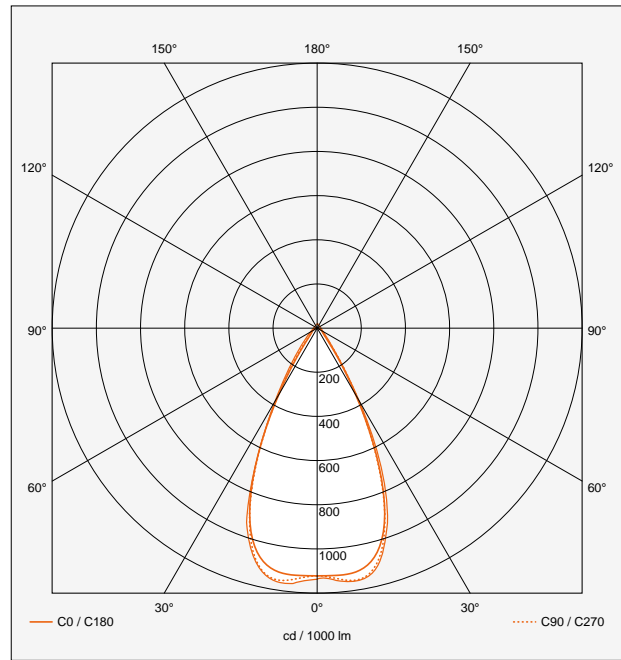
ITEM	NB OF MODULE(S)	CONSUMPTION	LUMINOUS FLUX	SYSTEM EFFICIENCY	COLOUR TEMPERATURE	CRI	EFFICIENCY ENERGY CLASS
LS 5017-K LED H 4600 HE-830	2	26,5 W	4640 lumens	175 lm/W	3000 K	80	C
LS 5017-K LED H 4600 HE-840	2	26,5 W	4740 lumens	178,7 lm/W	4000 K	80	C
LS 5017-K LED H 6600 HE-830	3	38,1 W	6960 lumens	182,6 lm/W	3000 K	80	C
LS 5017-K LED H 6600 HE-840	3	38,1 W	7110 lumens	186,5 lm/W	4000 K	80	C
LS 5017-K LED H 7000-830	2	40,8 W	7100 lumens	173,6 lm/W	3000 K	80	C
LS 5017-K LED H 7000-840	2	40,8 W	7240 lumens	177 lm/W	4000 K	80	C
LS 5017-K LED H 8000-830	2	48,4 W	8340 lumens	172,1 lm/W	3000 K	80	C
LS 5017-K LED H 8000-840	2	48,4 W	8500 lumens	175,4 lm/W	4000 K	80	C
LS 5017-K LED H 10500-830	3	59,4 W	10650 lumens	179,1 lm/W	3000 K	80	C
LS 5017-K LED H 10500-840	3	59,4 W	10860 lumens	182,6 lm/W	4000 K	80	C
LS 5017-K LED H 12000-830	3	71,1 W	12510 lumens	175,7 lm/W	3000 K	80	C
LS 5017-K LED H 12000-840	3	71,1 W	12750 lumens	179,1 lm/W	4000 K	80	C

PERFORMANCES OF THE COMPONENTS MIDDLE FLUX

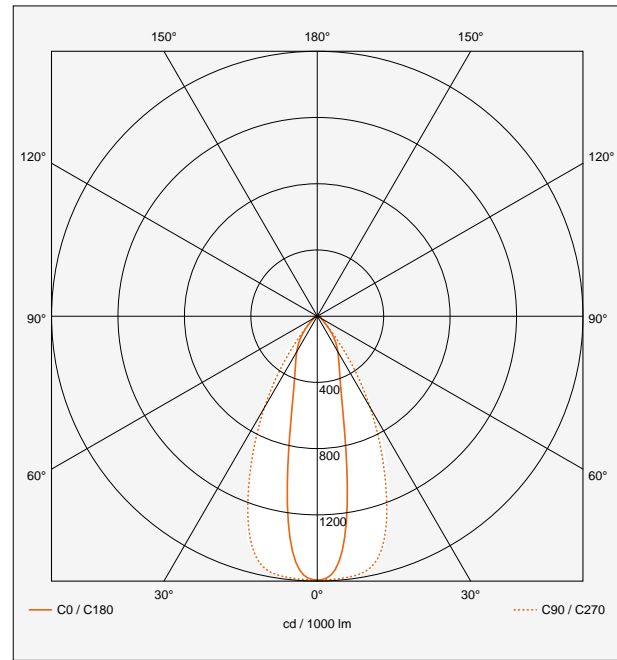
ITEM	NB OF MODULE(S)	CONSUMPTION	LUMINOUS FLUX	SYSTEM EFFICIENCY	COLOUR TEMPERATURE	CRI	EFFICIENCY ENERGY CLASS
LS 5017-K LED M 4600-830	2	26,4 W	4480 lumens	169,2 lm/W	3000 K	80	C
LS 5017-K LED M 4600-840	2	26,4 W	4680 lumens	176,8 lm/W	4000 K	80	C
LS 5017-K LED M 6600-830	3	38 W	6750 lumens	177,5 lm/W	3000 K	80	C
LS 5017-K LED M 6600-840	3	38 W	7080 lumens	186,2 lm/W	4000 K	80	C
LS 5017-K LED M 7000 HO-830	2	40,8 W	6840 lumens	167,6 lm/W	3000 K	80	C
LS 5017-K LED M 7000 HO-840	2	40,8 W	7160 lumens	175,4 lm/W	4000 K	80	C
LS 5017-K LED M 8500-830	3	48,8 W	8490 lumens	173,9 lm/W	3000 K	80	C
LS 5017-K LED M 8500-840	3	48,8 W	8880 lumens	181,9 lm/W	4000 K	80	C
LS 5017-K LED M 10500 HO-830	3	59,7 W	10260 lumens	171,7 lm/W	3000 K	80	C
LS 5017-K LED M 10500 HO-840	3	59,7 W	10740 lumens	179,7 lm/W	4000 K	80	C

TECHNICALS INFORMATION

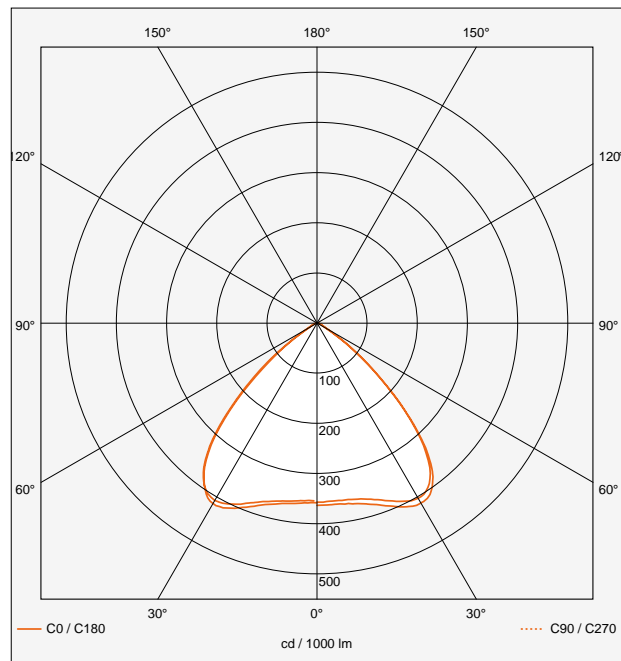
Mid-intensive
LOR 96 %



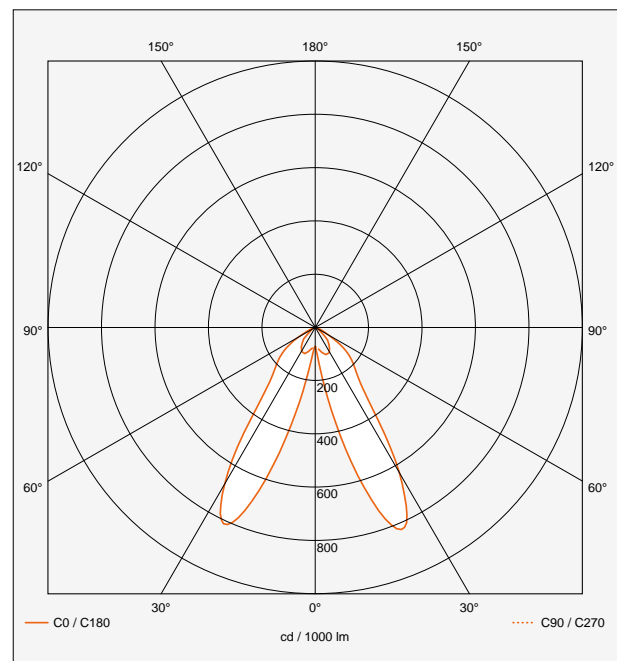
Elliptical
LOR 96,5 %



Symmetrical
LOR 97 %



Double asymmetrical:
LOR 97 %



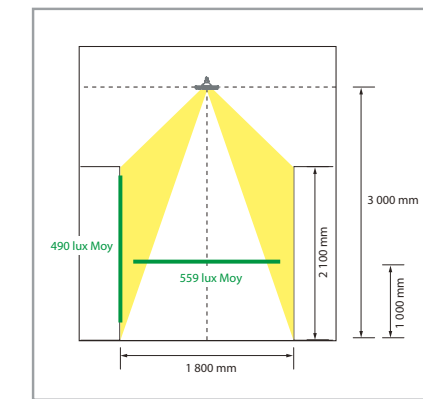
TECHNICALS INFORMATION

ADVISED CONFIGURATION

TYPE A REFLECTOR
(TRACK INSTALLED AT 3M HEIGHT)

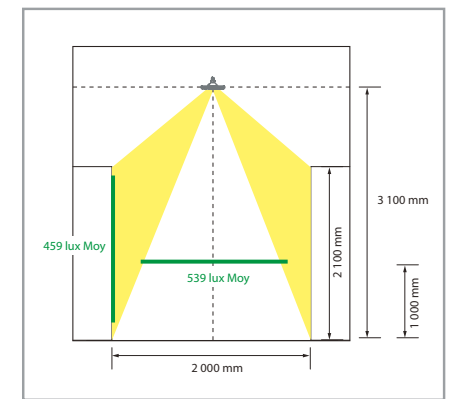
- CONFIGURATION :
- DASY 8000 LUMENS
- FACING : 1M40
- DE 0,7M À 2M10

Aisle width
1 800 mm

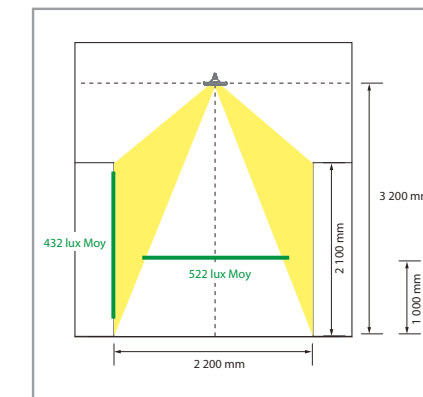


(level of illumination depreciated at 0.80)

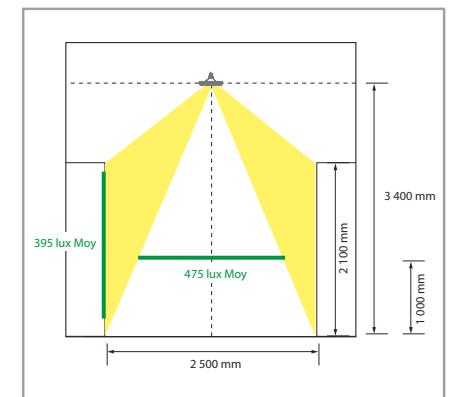
Aisle width
2 000 mm



Aisle width
2 200 mm



Aisle width
2 500 mm



LS 3976 LED



Colour(s)



Light distribution



TMF

SUSPENDED LUMINAIRE . LED

- Track suspended luminaire for LINEAR LED module, maximum 12 750 lumens
- CRI of 80
- MacAdam Ellipse : 3 SDCM
- Available in 3 000 K and 4 000 K
- Middle flux module 100 000 hours lamp life (L80B10), 50 000h (L90B10)
- High flux module 100 000 hours lamp life (L90B10)
- Luminous efficiency of system up to 186,5 lm/W
- 3 circuits track adaptor
- Housing made of prelacquered steel
- Cluster optical with lens, made of polycarbonate (PC)
- Endcaps made of injected polycarbonate
- Static heat sink
- Optical compartment protected against shocks and dust
- Weight** : Approx. 3 kg (1225 mm), 4,5 kg (1775 mm)
- Standard length** : 1 225 or 1 775 mm
- Driver(s)** : Fixed, Dimmable DALI, Casambi, Connect
- Option(s)** : Asymmetrical (ASY), Asymmetrical Double (DASY)
- Photobiological risk group 0**
- ENEC-labelled component and driver
- Red rendering (R9) : R9>50 (High flux), R9>0 (Middle flux)

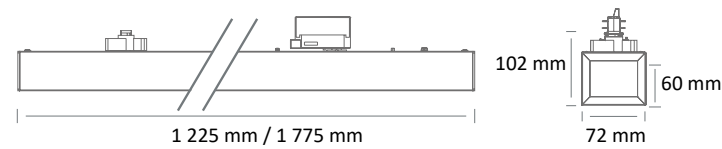
Driver(s)



Standards

Class I | IP 20 | 650° | IK 10 | RGO

Dimensions



LS 3976 LED

PERFORMANCES OF THE COMPONENTS HIGH FLUX

ITEM	NB OF MODULE(S)	CONSUMPTION	LUMINOUS FLUX	SYSTEM EFFICIENCY	COLOUR TEMPERATURE	CRI	EFFICIENCY ENERGY CLASS
LS 3976 PIVOT LED H 4600 HE-830	2	26,5 W	4640 lumens	175 lm/W	3000 K	80	C
LS 3976 PIVOT LED H 4600 HE-840	2	26,5 W	4740 lumens	178,7 lm/W	4000 K	80	C
LS 3976 PIVOT LED H 6600 HE-830	3	38,1 W	6960 lumens	182,6 lm/W	3000 K	80	C
LS 3976 PIVOT LED H 6600 HE-840	3	38,1 W	7110 lumens	186,5 lm/W	4000 K	80	C
LS 3976 PIVOT LED H 7000-830	2	40,8 W	7100 lumens	173,6 lm/W	3000 K	80	C
LS 3976 PIVOT LED H 7000-840	2	40,8 W	7240 lumens	177 lm/W	4000 K	80	C
LS 3976 PIVOT LED H 8000-830	2	48,4 W	8340 lumens	172,1 lm/W	3000 K	80	C
LS 3976 PIVOT LED H 8000-840	2	48,4 W	8500 lumens	175,4 lm/W	4000 K	80	C
LS 3976 PIVOT LED H 10500-830	3	59,4 W	10650 lumens	179,1 lm/W	3000 K	80	C
LS 3976 PIVOT LED H 10500-840	3	59,4 W	10860 lumens	182,6 lm/W	4000 K	80	C
LS 3976 PIVOT LED H 12000-830	3	71,1 W	12510 lumens	175,7 lm/W	3000 K	80	C
LS 3976 PIVOT LED H 12000-840	3	71,1 W	12750 lumens	179,1 lm/W	4000 K	80	C

PERFORMANCES OF THE COMPONENTS MIDDLE FLUX

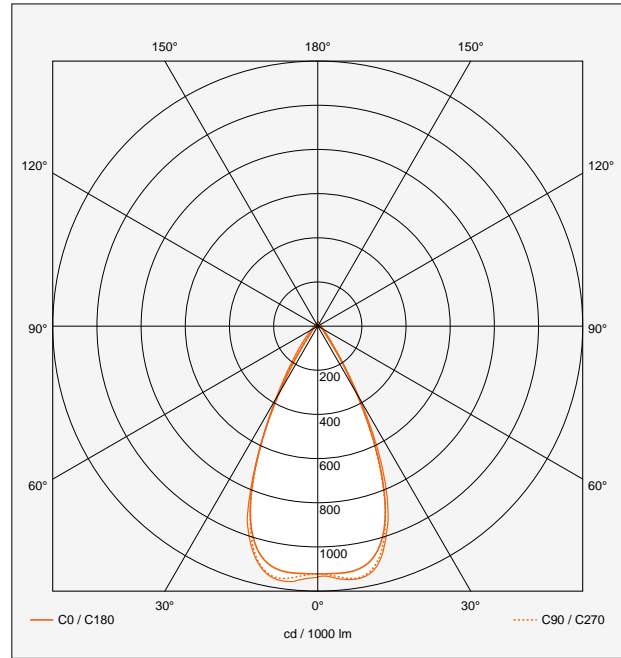
ITEM	NB OF MODULE(S)	CONSUMPTION	LUMINOUS FLUX	SYSTEM EFFICIENCY	COLOUR TEMPERATURE	CRI	EFFICIENCY ENERGY CLASS
LS 3976 PIVOT LED M 4600-830	2	26,4 W	4480 lumens	169,2 lm/W	3000 K	80	C
LS 3976 PIVOT LED M 4600-840	2	26,4 W	4680 lumens	176,8 lm/W	4000 K	80	C
LS 3976 PIVOT LED M 6600-830	3	38 W	6750 lumens	177,5 lm/W	3000 K	80	C
LS 3976 PIVOT LED M 6600-840	3	38 W	7080 lumens	186,2 lm/W	4000 K	80	C
LS 3976 PIVOT LED M 7000 HO-830	2	40,8 W	6840 lumens	167,6 lm/W	3000 K	80	C
LS 3976 PIVOT LED M 7000 HO-840	2	40,8 W	7160 lumens	175,4 lm/W	4000 K	80	C
LS 3976 PIVOT LED M 8500-830	3	48,8 W	8490 lumens	173,9 lm/W	3000 K	80	C
LS 3976 PIVOT LED M 8500-840	3	48,8 W	8880 lumens	181,9 lm/W	4000 K	80	C
LS 3976 PIVOT LED M 10500 HO-830	3	59,7 W	10260 lumens	171,7 lm/W	3000 K	80	C
LS 3976 PIVOT LED M 10500 HO-840	3	59,7 W	10740 lumens	179,7 lm/W	4000 K	80	C

■ LIGHT DISTRIBUTION

Average
LOR 96 %



MOY

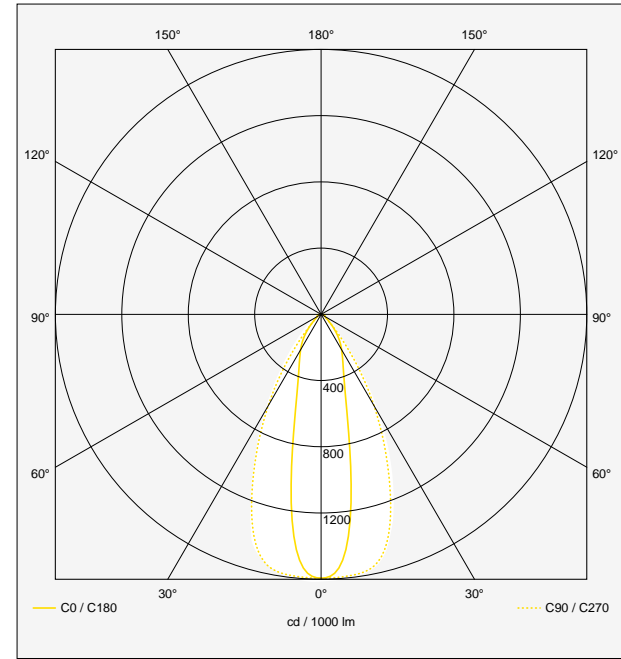


■ LIGHT DISTRIBUTION

Elliptical
LOR 96,5 %



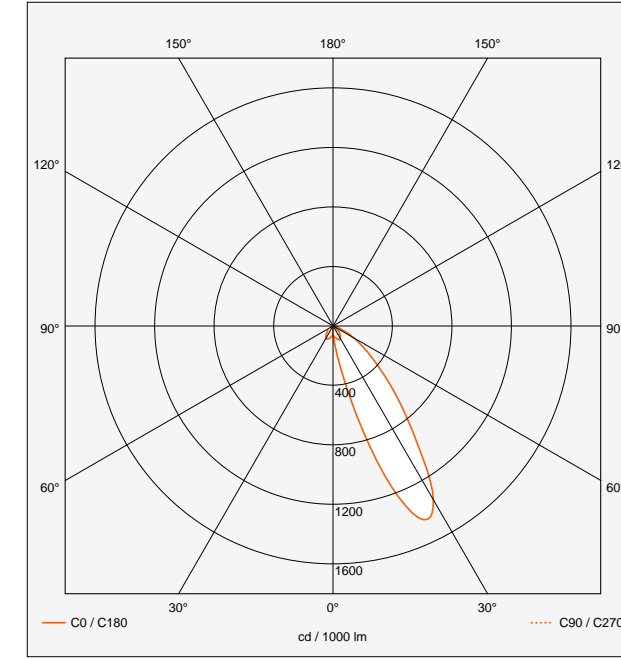
ELL



Asymmetrical:
LOR 94 %



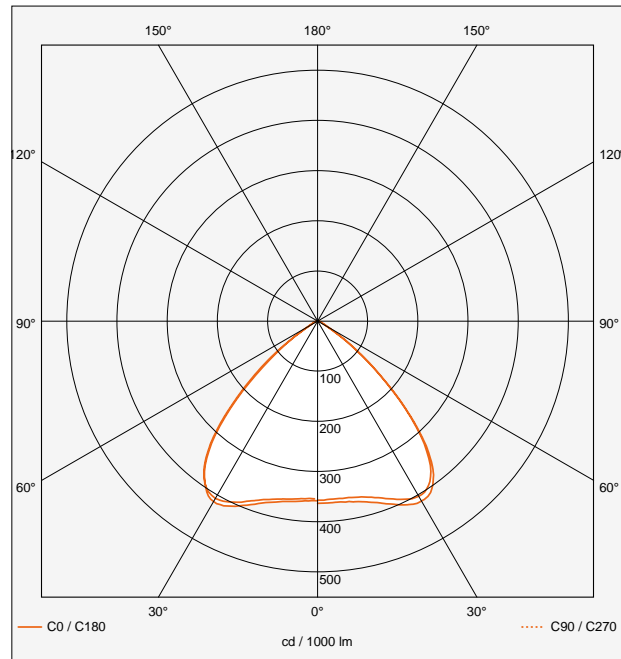
ASY



Symmetrical
LOR 97 %



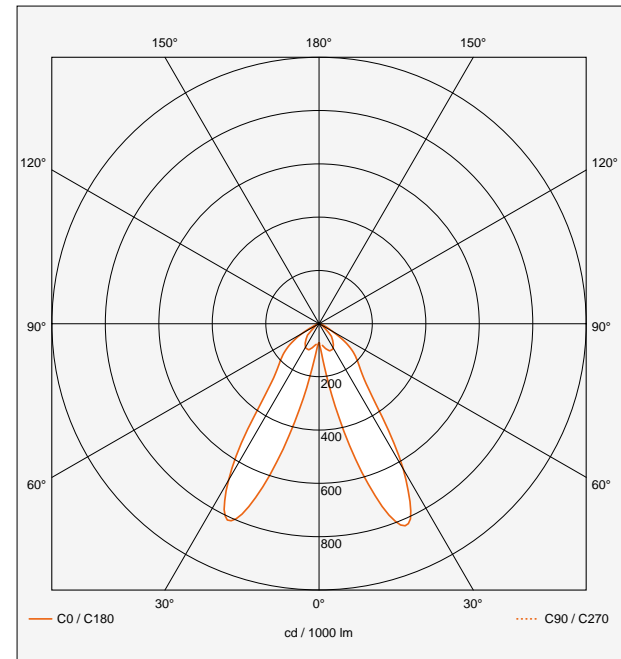
SYM



Double asymmetrical:
LOR 97 %



DASY



LS 3976 ASY LED



Colour(s)



Light distribution



ASY

TMF

SUSPENDED LUMINAIRE ■ LED

- Asymmetrical track suspended luminaire for LINEAR LED module, maximum 12 750 lumens
- CRI of 80
- MacAdam Ellipse : 3 SDCM
- Available in 3 000 K and 4 000 K
- Middle flux module 100 000 hours lamp life (L80B10), 50 000h (L90B10)
- High flux module 100 000 hours lamp life (L90B10)
- Luminous efficiency of system up to 186,5 lm/W
- 3 circuits track adaptor
- Housing made of prelacquered steel
- Cluster optical with lens, made of polycarbonate (PC) reflector made of Miro Silver available in Miro 8 (M8) or Miro 20 (M20) quality optical protector made of painted steel
- Endcaps made of injected polycarbonate
- Static heat sink
- Optical compartment protected against shocks and dust
- **Weight** : Approx. 3 kg (1225 mm), 4,5 kg (1775 mm)
- **Standard length** : 1 225 or 1 775 mm
- **Driver(s)** : Fixed, Dimmable DALI, Casambi, Connect
- **Photobiological risk group 0**
- ENEC-labelled module and converter
- Red rendering (R9) : R9>50 (High flux), R9>0 (Middle flux)

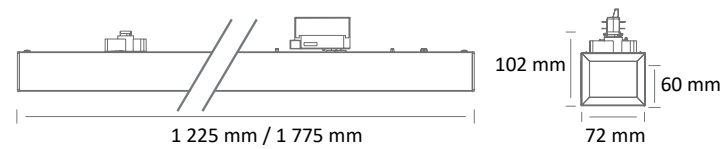
Driver(s)



Standards

Class I | IP 20 | 650° | IK 10 | RG0

Dimensions



LS 3976 ASY LED

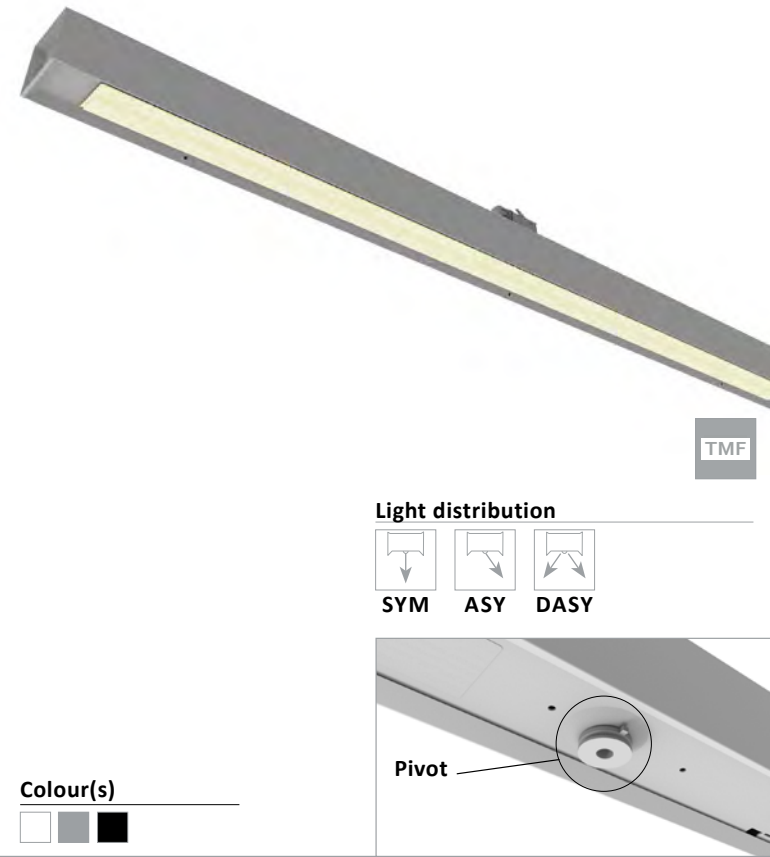
■ PERFORMANCES OF THE COMPONENTS HIGH FLUX

ITEM	NB OF MODULE(S)	CONSUMPTION	LUMINOUS FLUX	SYSTEM EFFICIENCY	COLOUR TEMPERATURE	CRI	EFFICIENCY ENERGY CLASS
LS 3976 ASY LED H 4600 HE-830	2	26,5 W	4640 lumens	175 lm/W	3000 K	80	C
LS 3976 ASY LED H 4600 HE-840	2	26,5 W	4740 lumens	178,7 lm/W	4000 K	80	C
LS 3976 ASY LED H 6600 HE-830	3	38,1 W	6960 lumens	182,6 lm/W	3000 K	80	C
LS 3976 ASY LED H 6600 HE-840	3	38,1 W	7110 lumens	186,5 lm/W	4000 K	80	C
LS 3976 ASY LED H 7000-830	2	40,8 W	7100 lumens	173,6 lm/W	3000 K	80	C
LS 3976 ASY LED H 7000-840	2	40,8 W	7240 lumens	177 lm/W	4000 K	80	C
LS 3976 ASY LED H 8000-830	2	48,4 W	8340 lumens	172,1 lm/W	3000 K	80	C
LS 3976 ASY LED H 8000-840	2	48,4 W	8500 lumens	175,4 lm/W	4000 K	80	C
LS 3976 ASY LED H 10500-830	3	59,4 W	10650 lumens	179,1 lm/W	3000 K	80	C
LS 3976 ASY LED H 10500-840	3	59,4 W	10860 lumens	182,6 lm/W	4000 K	80	C
LS 3976 ASY LED H 12000-830	3	71,1 W	12510 lumens	175,7 lm/W	3000 K	80	C
LS 3976 ASY LED H 12000-840	3	71,1 W	12750 lumens	179,1 lm/W	4000 K	80	C

■ PERFORMANCES OF THE COMPONENTS MIDDLE FLUX

ITEM	NB OF MODULE(S)	CONSUMPTION	LUMINOUS FLUX	SYSTEM EFFICIENCY	COLOUR TEMPERATURE	CRI	EFFICIENCY ENERGY CLASS
LS 3976 ASY LED M 4600-830	2	26,4 W	4480 lumens	169,2 lm/W	3000 K	80	C
LS 3976 ASY LED M 4600-840	2	26,4 W	4680 lumens	176,8 lm/W	4000 K	80	C
LS 3976 ASY LED M 6600-830	3	38 W	6750 lumens	177,5 lm/W	3000 K	80	C
LS 3976 ASY LED M 6600-840	3	38 W	7080 lumens	186,2 lm/W	4000 K	80	C
LS 3976 ASY LED M 7000 HO-830	2	40,8 W	6840 lumens	167,6 lm/W	3000 K	80	C
LS 3976 ASY LED M 7000 HO-840	2	40,8 W	7160 lumens	175,4 lm/W	4000 K	80	C
LS 3976 ASY LED M 8500-830	3	48,8 W	8490 lumens	173,9 lm/W	3000 K	80	C
LS 3976 ASY LED M 8500-840	3	48,8 W	8880 lumens	181,9 lm/W	4000 K	80	C
LS 3976 ASY LED M 10500 HO-830	3	59,7 W	10260 lumens	171,7 lm/W	3000 K	80	C
LS 3976 ASY LED M 10500 HO-840	3	59,7 W	10740 lumens	179,7 lm/W	4000 K	80	C

LS 3976 PIVOT LED



SUSPENDED LUMINAIRES - LED

- Luminaire suspended from the rail, with central pivot facilitating rotation, for LINEAR LED module, maximum 12 750 lumens
- CRI of 80
- MacAdam Ellipse : 3 SDCM
- Available in 3 000 K and 4 000 K
- Middle flux module 100 000 hours lamp life (L80B10), 50 000h (L90B10)
- High flux module 100 000 hours lamp life (L90B10)
- Luminous efficiency of system up to 186,5 lm/W
- 3 circuits track adaptor
- Housing made of prelacquered steel
- Cluster optical with lens, made of polycarbonate (PC) reflector made of Miro Silver available in Miro 8 (M8) quality optical protector made of painted steel
- Endcaps made of injected polycarbonate
- Static heat sink
- Optical compartment protected against shocks and dust
- **Weight** : Approx. 3 kg (1225 mm), 4,5 kg (1775 mm)
- **Standard length** : 1 225 or 1 775 mm
- **Driver(s)** : Fixed, Dimmable DALI, Casambi, Connect
- **Photobiological risk group 0**
- ENEC-labelled module and converter
- Red rendering (R9) : R9>50 (High flux), R9>0 (Middle flux)

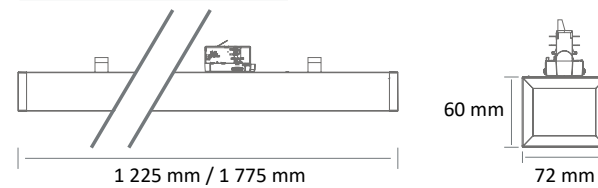
Driver(s)



Standards

Class I | IP 20 | 650° | IK 10 | RGO

Dimensions



LS 3976 PIVOT LED

PERFORMANCES OF THE COMPONENTS HIGH FLUX

ITEM	NB OF MODULE(S)	CONSUMPTION	LUMINOUS FLUX	SYSTEM EFFICIENCY	COLOUR TEMPERATURE	CRI	EFFICIENCY ENERGY CLASS
LS 3976 PIVOT LED H 4600 HE-830	2	26,5 W	4640 lumens	175 lm/W	3000 K	80	C
LS 3976 PIVOT LED H 4600 HE-840	2	26,5 W	4740 lumens	178,7 lm/W	4000 K	80	C
LS 3976 PIVOT LED H 6600 HE-830	3	38,1 W	6960 lumens	182,6 lm/W	3000 K	80	C
LS 3976 PIVOT LED H 6600 HE-840	3	38,1 W	7110 lumens	186,5 lm/W	4000 K	80	C
LS 3976 PIVOT LED H 7000-830	2	40,8 W	7100 lumens	173,6 lm/W	3000 K	80	C
LS 3976 PIVOT LED H 7000-840	2	40,8 W	7240 lumens	177 lm/W	4000 K	80	C
LS 3976 PIVOT LED H 8000-830	2	48,4 W	8340 lumens	172,1 lm/W	3000 K	80	C
LS 3976 PIVOT LED H 8000-840	2	48,4 W	8500 lumens	175,4 lm/W	4000 K	80	C
LS 3976 PIVOT LED H 10500-830	3	59,4 W	10650 lumens	179,1 lm/W	3000 K	80	C
LS 3976 PIVOT LED H 10500-840	3	59,4 W	10860 lumens	182,6 lm/W	4000 K	80	C
LS 3976 PIVOT LED H 12000-830	3	71,1 W	12510 lumens	175,7 lm/W	3000 K	80	C
LS 3976 PIVOT LED H 12000-840	3	71,1 W	12750 lumens	179,1 lm/W	4000 K	80	C

PERFORMANCES OF THE COMPONENTS MIDDLE FLUX

ITEM	NB OF MODULE(S)	CONSUMPTION	LUMINOUS FLUX	SYSTEM EFFICIENCY	COLOUR TEMPERATURE	CRI	EFFICIENCY ENERGY CLASS
LS 3976 PIVOT LED M 4600-830	2	26,4 W	4480 lumens	169,2 lm/W	3000 K	80	C
LS 3976 PIVOT LED M 4600-840	2	26,4 W	4680 lumens	176,8 lm/W	4000 K	80	C
LS 3976 PIVOT LED M 6600-830	3	38 W	6750 lumens	177,5 lm/W	3000 K	80	C
LS 3976 PIVOT LED M 6600-840	3	38 W	7080 lumens	186,2 lm/W	4000 K	80	C
LS 3976 PIVOT LED M 7000 HO-830	2	40,8 W	6840 lumens	167,6 lm/W	3000 K	80	C
LS 3976 PIVOT LED M 7000 HO-840	2	40,8 W	7160 lumens	175,4 lm/W	4000 K	80	C
LS 3976 PIVOT LED M 8500-830	3	48,8 W	8490 lumens	173,9 lm/W	3000 K	80	C
LS 3976 PIVOT LED M 8500-840	3	48,8 W	8880 lumens	181,9 lm/W	4000 K	80	C
LS 3976 PIVOT LED M 10500 HO-830	3	59,7 W	10260 lumens	171,7 lm/W	3000 K	80	C
LS 3976 PIVOT LED M 10500 HO-840	3	59,7 W	10740 lumens	179,7 lm/W	4000 K	80	C

LS 3954 LED

LED LIGHTING FIXTURES

- Track suspended luminaire for LINEAR LED module, maximum 12 600 lumens
- CRI of 80
- MacAdam Ellipse : 3 SDCM
- Available in 3 000 K and 4 000 K
- 50 000 hours lamp life (L90B10)
- Luminous efficiency of system up to 183,3 lm/W
- 3 circuits track adaptor
- Housing made of prelacquered steel
- Opal diffuser (DO) made of extruded polycarbonate
- Endcaps made of injected polycarbonate
- Static heat sink
- Weight** : Approx. 3,5 kg (1170 mm), 5 kg (1740 mm)
- Standard length** : 1170 or 1740 mm
- Driver(s)** : Fixed, Dimmable DALI, Casambi, Connect
- Option(s)** : Asymmetrical (ASY), Asymmetrical Double (DASY)

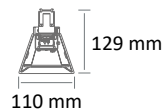
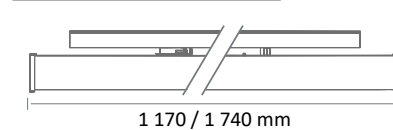
Driver(s)



Standards

Class I | IP 20 (luminaire) | 650° | IK 06

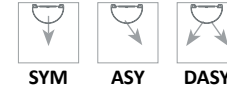
Dimensions



Colour(s)



Light distribution



LS 3954 LED ASY

LED LIGHTING FIXTURES

- Asymmetrical track suspended luminaire for LINEAR LED module, maximum 12 600 lumens
- CRI of 80
- MacAdam Ellipse : 3 SDCM
- Available in 3 000 K and 4 000 K
- 50 000 hours lamp life (L90B10)
- Luminous efficiency of system up to 183,3 lm/W
- 3 circuits track adaptor
- Housing made of prelacquered steel
- Opal diffuser (DO) made of extruded plexiglas
- Endcaps made of injected polycarbonate
- Static heat sink
- Weight** : Approx. 3,5 kg (1170 mm), 5 kg (1740 mm)
- Standard length** : 1170 or 1740 mm
- Driver(s)** : Fixed, Dimmable DALI, Casambi, Connect

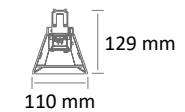
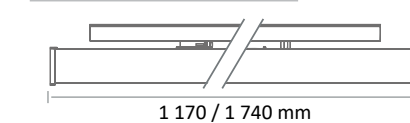
Convertisseur(s)



Standards

Class I | IP 20 (luminaire) | 650°

Dimensions



Colour(s)



Light distribution

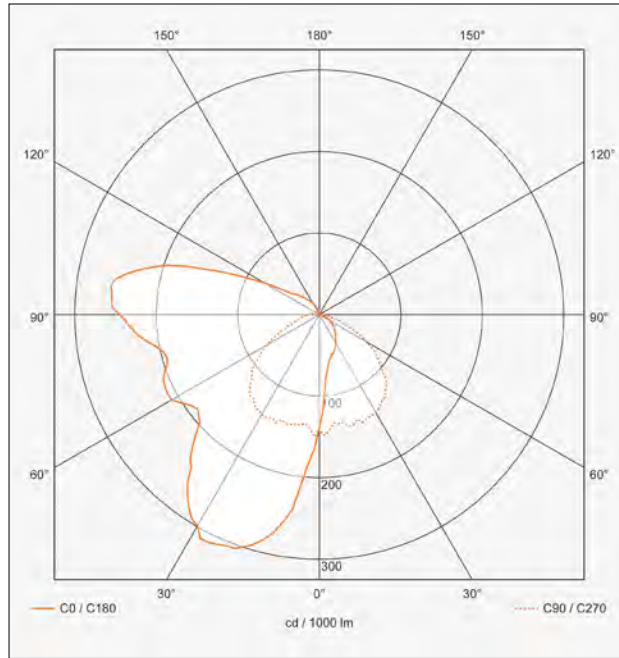


ITEM	NB OF MODULE(S)	CONSUMPTION	LUMINOUS FLUX	SYSTEM EFFICIENCY	COLOUR TEMPERATURE	CRI	EFFICIENCY ENERGY CLASS
LS 3954 LED 4600-830	2	30W	4800 lumens	160 lm/W	3000 K	80	C
LS 3954 LED 4600-840	2	30W	5040 lumens	168 lm/W	4000 K	80	C
LS 3954 LED 6600-830	3	38,4W	6390 lumens	166,4 lm/W	3000 K	80	C
LS 3954 LED 6600-840	3	38,4W	6720 lumens	175 lm/W	4000 K	80	C
LS 3954 LED 7000-830	2	41,3W	6860 lumens	166,1 lm/W	3000 K	80	C
LS 3954 LED 7000-840	2	41,3W	7200 lumens	174,3 lm/W	4000 K	80	C
LS 3954 LED 8000-830	2	48,6W	8000 lumens	164,6 lm/W	3000 K	80	C
LS 3954 LED 8000-840	2	48,6W	8400 lumens	172,8 lm/W	4000 K	80	C
LS 3954 LED 8500-830	3	53,9W	8820 lumens	163,6 lm/W	3000 K	80	C
LS 3954 LED 8500-840	3	53,9W	9270 lumens	172 lm/W	4000 K	80	C
LS 3954 LED 10500-830	3	59,8W	10290 lumens	172 lm/W	3000 K	80	C
LS 3954 LED 10500-840	3	59,8W	10800 lumens	180,6 lm/W	4000 K	80	C
LS 3954 LED 12000-830	3	71,4W	12000 lumens	168 lm/W	3000 K	80	C
LS 3954 LED 12000-840	3	71,4W	12600 lumens	176,5 lm/W	4000 K	80	C
LS 3954 LED 4600 HE-830	2	26,7W	4480 lumens	167,5 lm/W	3000 K	80	C
LS 3954 LED 4600 HE-840	2	26,7W	4700 lumens	175,7 lm/W	4000 K	80	C
LS 3954 LED 6600 HE-830	3	38,4W	6720 lumens	174,8 lm/W	3000 K	80	C
LS 3954 LED 6600 HE-840	3	38,4W	7050 lumens	183,3 lm/W	4000 K	80	C
LS 3954 LED 7000 HO-830	2	44,6W	6960 lumens	156 lm/W	3000 K	80	C
LS 3954 LED 7000 HO-840	2	44,6W	7300 lumens	163,7 lm/W	4000 K	80	C
LS 3954 LED 10500 HO-830	3	65,5W	10440 lumens	159,4 lm/W	3000 K	80	C
LS 3954 LED 10500 HO-840	3	65,5W	10950 lumens	167,2 lm/W	4000 K	80	C

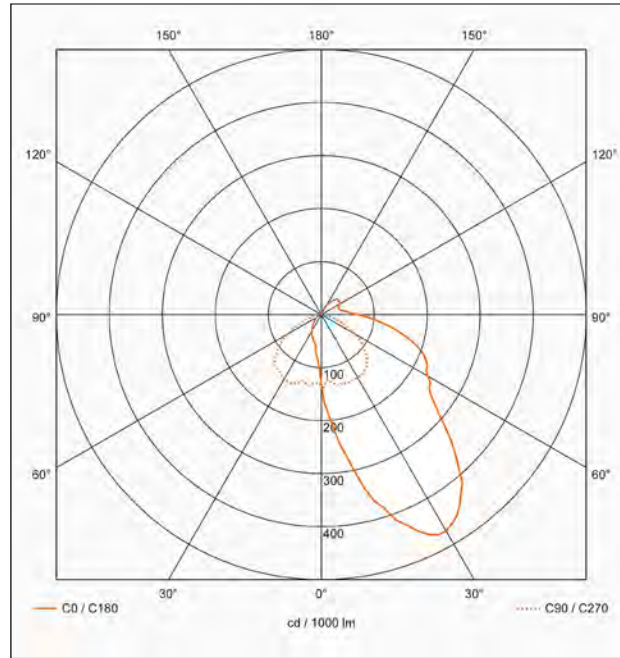
ITEM	NB OF MODULE(S)	CONSUMPTION	LUMINOUS FLUX	SYSTEM EFFICIENCY	COLOUR TEMPERATURE	CRI	EFFICIENCY ENERGY CLASS
LS 3954 ASY LED 4600-830	2	30W	4800 lumens	160 lm/W	3000 K	80	C
LS 3954 ASY LED 4600-840	2	30W	5040 lumens	168 lm/W	4000 K	80	C
LS 3954 ASY LED 6600-830	3	38,4W	6390 lumens	166,4 lm/W	3000 K	80	C
LS 3954 ASY LED 6600-840	3	38,4W	6720 lumens	175 lm/W	4000 K	80	C
LS 3954 ASY LED 7000-830	2	41,3W	6860 lumens	166,1 lm/W	3000 K	80	C
LS 3954 ASY LED 7000-840	2	41,3W	7200 lumens	174,3 lm/W	4000 K	80	C
LS 3954 ASY LED 8000-830	2	48,6W	8000 lumens	164,6 lm/W	3000 K	80	C
LS 3954 ASY LED 8000-840	2	48,6W	8400 lumens	172,8 lm/W	4000 K	80	C
LS 3954 ASY LED 8500-830	3	53,9W	8820 lumens	163,6 lm/W	3000 K	80	C
LS 3954 ASY LED 8500-840	3	53,9W	9270 lumens	172 lm/W	4000 K	80	C
LS 3954 ASY LED 10500-830	3	59,8W	10290 lumens	172 lm/W	3000 K	80	C
LS 3954 ASY LED 10500-840	3	59,8W	10800 lumens	180,6 lm/W	4000 K	80	C
LS 3954 ASY LED 12000-830	3	71,4W	12000 lumens	168 lm/W	3000 K	80	C
LS 3954 ASY LED 12000-840	3	71,4W	12600 lumens	176,5 lm/W	4000 K	80	C
LS 3954 ASY LED 4600 HE-830	2	26,7W	4480 lumens	167,5 lm/W	3000 K	80	C
LS 3954 ASY LED 4600 HE-840	2	26,7W	4700 lumens	175,7 lm/W	4000 K	80	C
LS 3954 ASY LED 6600 HE-830	3	38,4W	6720 lumens	174,8 lm/W	3000 K	80	C
LS 3954 ASY LED 6600 HE-840	3	38,4W	7050 lumens	183,3 lm/W	4000 K	80	C
LS 3954 ASY LED 7000 HO-830	2	44,6W	6960 lumens	156 lm/W	3000 K	80	C
LS 3954 ASY LED 7000 HO-840	2	44,6W	7300 lumens	163,7 lm/W	4000 K	80	C
LS 3954 ASY LED 10500 HO-830	3	65,5W	10440 lumens	159,4 lm/W	3000 K	80	C
LS 3954 ASY LED 10500 HO-840	3	65,5W	10950 lumens	167,2 lm/W	4000 K	80	C

LIGHT DISTRIBUTION

Asymmetrical : ASY - 1
LOR: 91 %



Asymmetrical : ASY - 2
LOR: 91 %



LS 5076 LED PIVOT



Colour(s)



APPAREILS LED

- Track suspended luminaire for LINEAR LED module, maximum 8 400 lumens
- CRI of 80
- MacAdam Ellipse : 3 SDCM
- Available in 3 000 K and 4 000 K
- 50 000 hours lamp life (L90B10)
- Luminous efficiency of system up to 175,7 lm/W
- 3 circuits track adaptor
- Housing made of prelacquered steel
- Opal diffuser made of polycarbonate (DO)
- Endcaps made of injected polycarbonate
- Static heat sink
- Weight** : Approx. 3 kg (1162 mm)
- Standard length** : 1162 mm
- Driver(s)** : Fixed, Dimmable DALI, Casambi, Connect
- Option(s)** : Asymmetric (ASY)

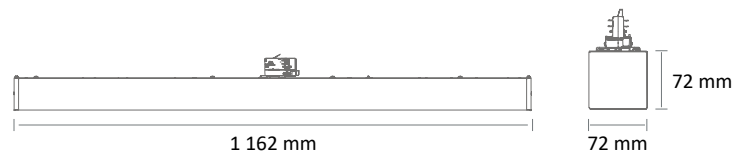
Driver(s)



Standards

Class I | IP 20 | 650° | IK 10

Dimensions



LS 5145 LED



Colour(s)



Light distribution



SYM

LED LIGHTING FIXTURES

- Track suspended luminaire for LINEAR LED module, maximum 4574 lumens
- CRI of 80
- MacAdam Ellipse : 3 SDCM
- Available in 3 000 K and 4 000 K
- 50 000 hours lamp life (L90B10)
- Luminous efficiency of system up to 157 lm/W
- 3 circuits track adaptor
- Housing made of prelacquered steel
- Endcaps made of injected polycarbonate
- Static heat sink
- Weight** : Approx. 2 kg (613 mm), 3 kg (1173 mm)
- Standard length** : 613 or 1173 mm
- Driver(s)** : Fixed, Dimmable DALI, Casambi, Connect
- Photobiological risk group 0**

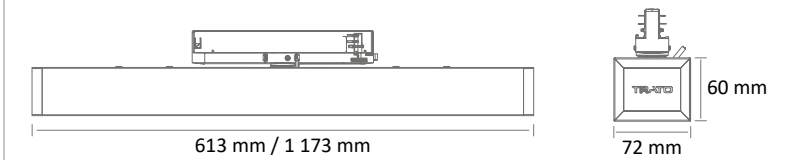
Driver(s)



Standards

Class I | IP 20 | 650° | RGO

Dimensions



ITEM	NB OF MODULE(S)	CONSUMPTION	LUMINOUS FLUX	SYSTEM EFFICIENCY	COLOUR TEMPERATURE	CRI	EFFICIENCY ENERGY CLASS
LS 5076 LED 4600-830	2	30W	4800 lumens	160 lm/W	3000 K	80	C
LS 5076 LED 4600-840	2	30W	5040 lumens	168 lm/W	4000 K	80	C
LS 5076 LED 7000-830	2	41,3W	6860 lumens	166,1 lm/W	3000 K	80	C
LS 5076 LED 7000-840	2	41,3W	7200 lumens	174,3 lm/W	4000 K	80	C
LS 5076 LED 8000-830	2	48,6W	8000 lumens	164,6 lm/W	3000 K	80	C
LS 5076 LED 8000-840	2	48,6W	8400 lumens	172,8 lm/W	4000 K	80	C
LS 5076 LED 4600 HE-830	2	26,7W	4480 lumens	167,5 lm/W	3000 K	80	C
LS 5076 LED 4600 HE-840	2	26,7W	4700 lumens	175,7 lm/W	4000 K	80	C
LS 5076 LED 7000 HO-830	2	44,6W	6960 lumens	156 lm/W	3000 K	80	C
LS 5076 LED 7000 HO-840	2	44,6W	7300 lumens	163,7 lm/W	4000 K	80	C

ITEM	NB DE MODULE(S)	CONSUMPTION	LUMINOUS FLUX	SYSTEM EFFICIENCY	COLOUR TEMPERATURE	CRI	EFFICIENCY ENERGY CLASS
LS 5145 LED 2200-830	1	15 W	2173 lumens	144 lm/W	3000 K	80	D
LS 5145 LED 2400-840	1	15 W	2287 lumens	151 lm/W	4000 K	80	D
LS 5145 LED 4400-830	2	29 W	4345 lumens	150 lm/W	3000 K	80	D
LS 5145 LED 4400-840	2	29 W	4574 lumens	157 lm/W	4000 K	80	D

LS 2316-A LED



TRACK SUSPENDED LUMINAIRE

- Track suspended luminaire for LINEAR LED module, maximum 3 500 lumens
- MacAdam Ellipse : 3 SDCM
- Available in 3 000 K and 4 000 K
- 50 000 hours lamp life (L80B10)
- Luminous efficiency of system up to 116 lm/W
- Micro prismatic Diffuser
- Housing made of painted steel
- Static heat sink
- Weight** : Approx. 2,6 Kg
- Driver(s)** : Fixed, Dimmable DALI, Casambi, Connect

Convertisseur(s)



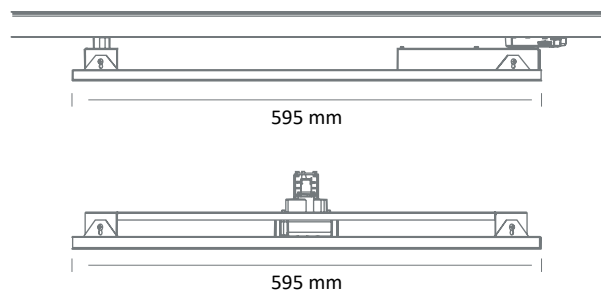
Standards

Class I | IP 20 | 650°

Beam(s)



Dimensions



Colour(s)



ITEM	CONSUMPTION	LUMINOUS FLUX	SYSTEM EFFICIENCY	COLOUR TEMPERATURE	CRI	EFFICIENCY ENERGY CLASS
LS 2316-A LED 3500-830	30 W	3350 lumens	111 lm/W	3000 K	80	C
LS 2316-A LED 3500-840	30 W	3500 lumens	116 lm/W	4000 K	80	C

LS 2316-C LED



TRACK SUSPENDED LUMINAIRE

- Track suspended luminaire for LINEAR LED module, maximum 3 500 lumens
- MacAdam Ellipse : 3 SDCM
- Available in 3 000 K and 4 000 K
- 50 000 hours lamp life (L80B10)
- Luminous efficiency of system up to 116 lm/W
- Micro prismatic Diffuser
- Housing made of painted steel
- Static heat sink
- Weight** : Approx. 2,8 kg
- Driver(s)** : Fixed, Dimmable DALI, Casambi, Connect

Convertisseur(s)



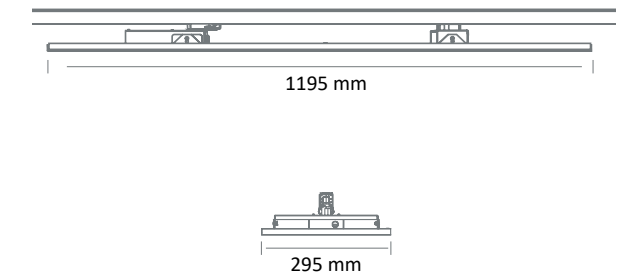
Standards

Class I | IP 20 | 650°

Beam(s)



Dimensions

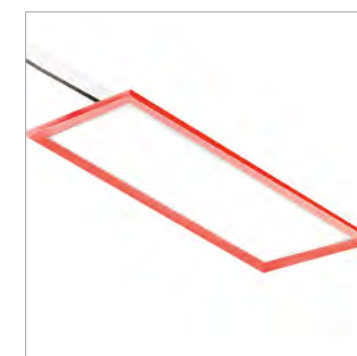


Colour(s)



ITEM	CONSUMPTION	LUMINOUS FLUX	SYSTEM EFFICIENCY	COLOUR TEMPERATURE	CRI	EFFICIENCY ENERGY CLASS
LS 2316-C LED 3500-830	30 W	3350 lumens	111 lm/W	3000 K	80	C
LS 2316-C LED 3500-840	30 W	3500 lumens	116 lm/W	4000 K	80	C

Option(s)



Colored frame available on demande

LS 5121-A LED



WALL WASHERS LED

- Track suspended luminaire for LINEAR LED module(s), maximum 2 364 lumens
- CRI of 80
- MacAdam Ellipse : 3 SDCM
- Available in 3 000 K and 4 000 K
- 50 000 hours lamp life (L80B10)
- Luminous efficiency of system up to 145 lm/W
- Optic composed of a lens and an individual reflector for each module
- 3 circuits track adaptor
- Housing made of prelacquered steel
- Static heat sink
- Standard body length** : 300 mm
- Driver(s)** : Fixed, Dimmable DALI, Casambi, Connect

Driver(s)



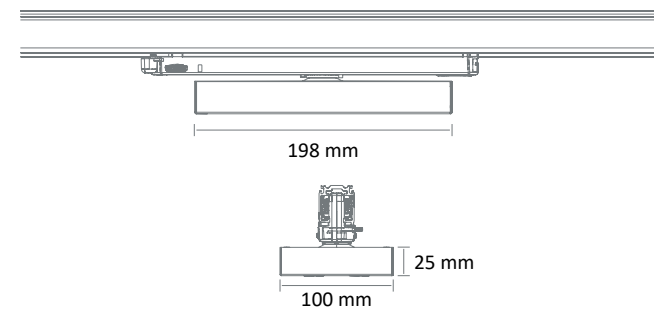
Standards

Class I | IP 20 | 650°

Beam(s)



Dimensions



Colour(s)



ITEM	CONSUMPTION	LUMINOUS FLUX	SYSTEM EFFICIENCY	COLOUR TEMPERATURE	CRI	EFFICIENCY ENERGY CLASS
LS 5121-A LED 2200-830	16,3W	2259 lumens	138,6 lm/W	3000 K	80	C
LS 5121-A LED 2200-840	16,3W	2364 lumens	145 lm/W	4000 K	80	C

LS 5121-D LED



WALL WASHERS LED

- Track suspended luminaire for LINEAR LED module(s), maximum 1 636 lumens
- CRI of 90
- MacAdam Ellipse : 3 SDCM
- Available in 3 000 K and 4 000 K
- 50 000 hours lamp life (L80B10)
- Luminous efficiency of system up to 122,3 lm/W
- Optic composed of a lens and an individual reflector for each module
- 3 circuits track adaptor
- Housing made of prelacquered steel
- Static heat sink
- UGR < 19 for tertiary use
- Standard body length** : 160 mm
- Driver(s)** : Fixed, Dimmable DALI, Casambi, Connect

Driver(s)



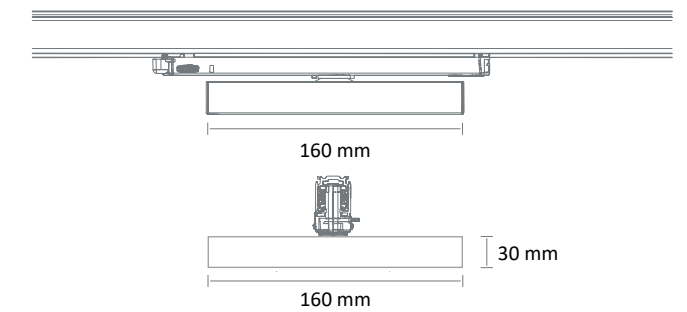
Standards

Class I | IP 20 | 650°

Beam(s)



Dimensions



Colour(s)



ITEM	CONSUMPTION	LUMINOUS FLUX	SYSTEM EFFICIENCY	COLOUR TEMPERATURE	CRI	EFFICIENCY ENERGY CLASS
LS 5121-D LED 1600-930	13,4W	1567 lumens	117,2 lm/W	3000 K	90	C
LS 5121-D LED 1600-940	13,4W	1636 lumens	122,3 lm/W	4000 K	90	C

LS 5121-F LED



WALL WASHERS LED

- Track suspended luminaire for LINEAR LED module(s), maximum 4 378 lumens
- CRI of 80
- MacAdam Ellipse : 3 SDCM
- Available in 3 000 K and 4 000 K
- 50 000 hours lamp life (L80B10)
- Luminous efficiency of system up to 168,5 lm/W
- Optic composed of a lens and an individual reflector for each module
- 3 circuits track adaptor
- Housing made of prelacquered steel
- Static heat sink
- Standard body length** : 300 mm
- Driver(s)** : Fixed, Dimmable DALI, Casambi, Connect

Driver(s)



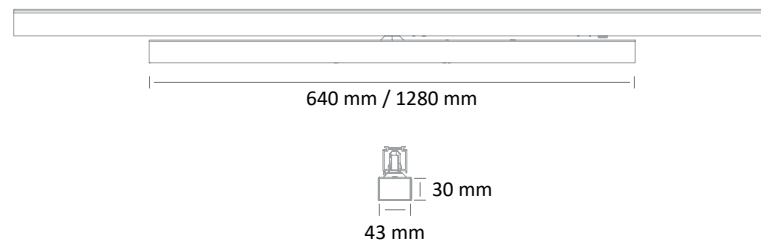
Standards

Class I | IP 20 | 650°

Beam(s)



Dimensions



Colour(s)



ITEM	LENGTH	CONSUMPTION	LUMINOUS FLUX	SYSTEM EFFICIENCY	COLOUR TEMPERATURE	CRI	EFFICIENCY ENERGY CLASS
LS 5121-F LED 2200-830	640 mm	16,3W	2259 lumens	138,6 lm/W	3000 K	80	C
LS 5121-F LED 2200-840	640 mm	16,3W	2364 lumens	145 lm/W	4000 K	80	C
LS 5121-F LED 4200-830	1280 mm	26W	4184 lumens	161,1 lm/W	3000 K	80	C
LS 5121-F LED 4200-840	1280 mm	26W	4378 lumens	168,5 lm/W	4000 K	80	C



PROMOTIONS

FORME 8.99€ VITALITE

NOTRE PRIX

VITALITE 8.99€ FORME

NOTRE PRIX

FORME 8.99€ VITALITE

NOTRE PRIX

VITALITE FORME

FORME VITALITE

VITALITE FORME

FORME VITALITE

VITALITE FORME

FORME VITALITE

VITALITE FORME

FORME VITALITE

VITALITE FORME

FORME VITALITE

VITALITE FORME

FORME VITALITE

VITALITE FORME

FORME VITALITE

VITALITE FORME

PROMOTIONS

PROMOTIONS

ANTIPLAQUE

NOTRE PRIX

ANTIPLAQUE

NOTRE PRIX

ANTIPLAQUE

NOTRE PRIX

ANTIPLAQUE

NOTRE PRIX

ANTIPLAQUE

NOTRE PRIX

ANTIPLAQUE

NOTRE PRIX

ANTIPLAQUE

NOTRE PRIX

PROMOTIONS

SOINS DENTAIRES

TRACKS

48V TRACKS

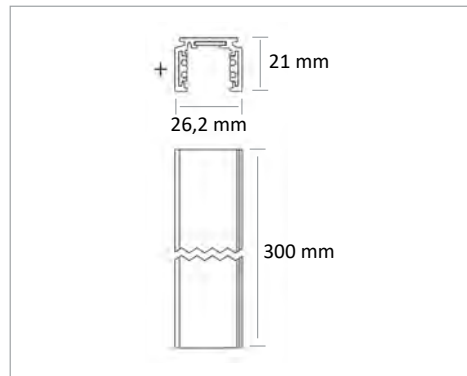
LED TRACKS

- Available lengths: 1, 2 or 3 metres
- Option(s) : Compatible with 1-10V or DALI grading systems

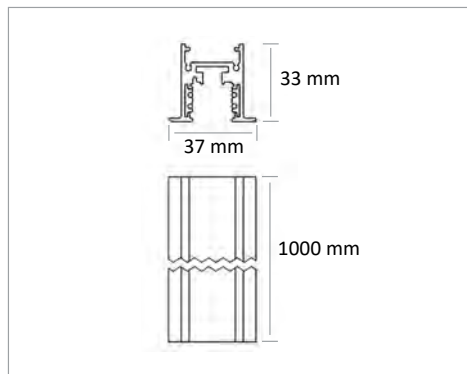
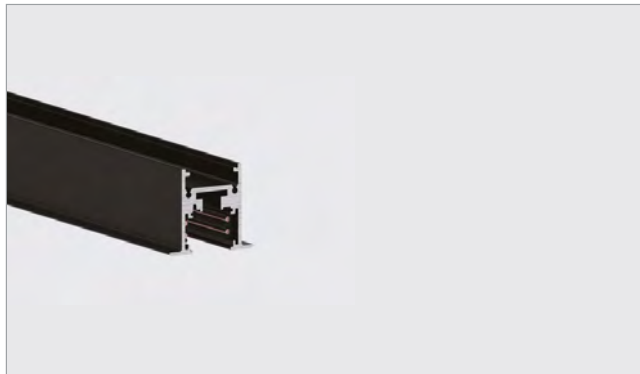
The electronic power supply to switch from 230V to 48V is not included in the rail and will be in form of a box to be placed in the ceiling or the furniture.



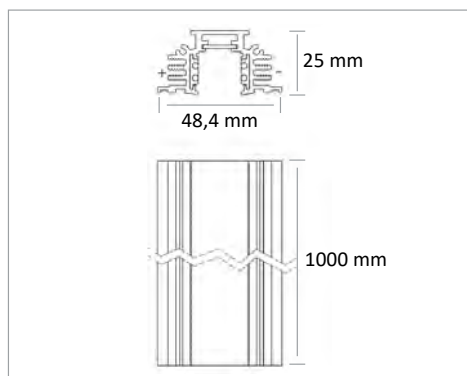
1. ST1 - STANDARD



2. ST8 - RECESSED



3. ST3 - TRIMLESS



48V TRACKS

ACCESSORIES

Short suspension stirrup



Long junction stirrup



Left power



Online junction connector



90-degree outdoor hard-angle connector



Flexible angle connector



Solid end



End cap with grommet



Trimless tip



Trimless mounting bracket



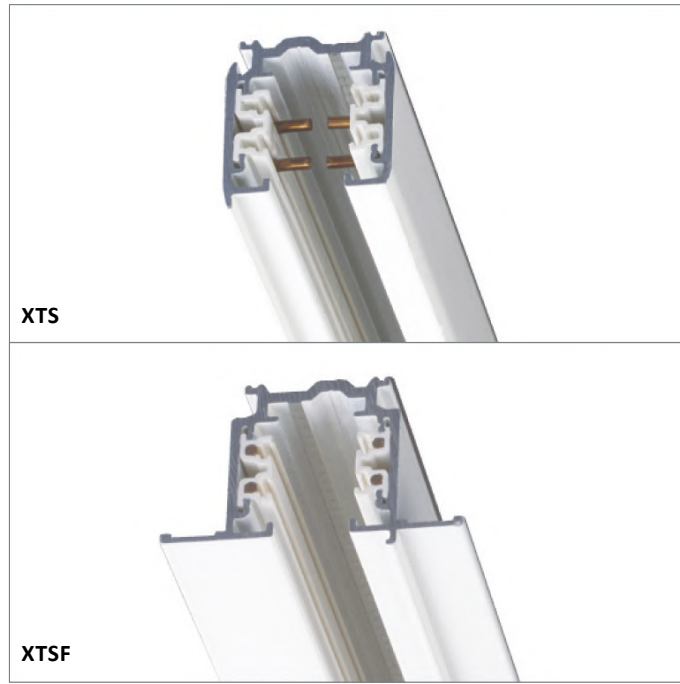
Trimless mechanical joint



Clamp S



230V 3-CIRCUIT TRACKS



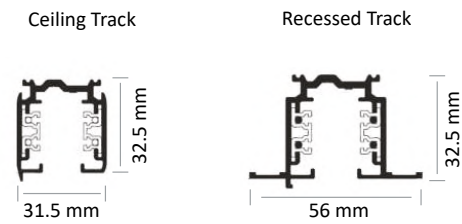
Colours



TRACK LIGHTING LUMINAIRES - 3-CIRCUIT TRACKS

ITEM	LENGTH
Ceiling Track	
XTS 4100	1 meter
XTS 4200	2 meters
XTS 4300	3 meters
XTS 4400	4 meters
Recessed Track	
XTSF 4100	1 meter
XTSF 4200	2 meters
XTSF 4300	3 meters
XTSF 4400	4 meters

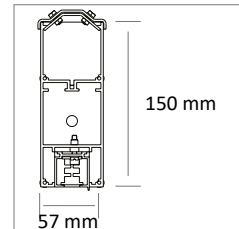
Dimensions



OPTIONS FOR CEILING TRACK (XTS)



BENDING

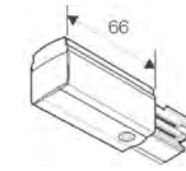


Integration into a profile SE 3516

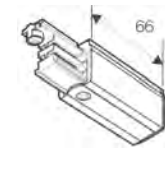
230V 3-CIRCUIT TRACKS

ACCESSORIES

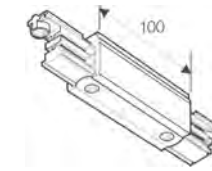
Left end feed - XTS 11



Right end feed - XTS 12



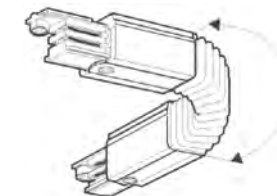
Middle feed - XTS 14



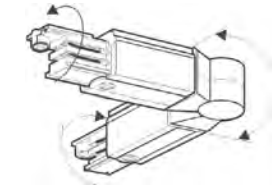
Connector - XTS 21



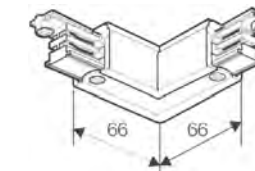
Flexible corner connector - XTS 23



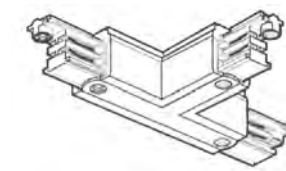
Adjustable corner connector - XTS 24



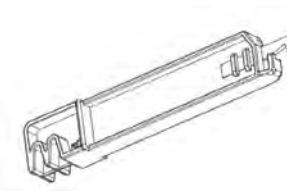
Left L-connector - XTS 34 - XTS 35



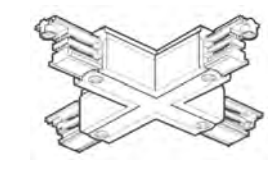
T-Connector - XTS 36 - XTS 37 - XTS 39



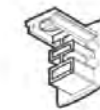
Bending tool for power wires - XTSV 12



X-connector - XTS 38



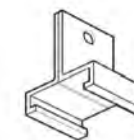
End cap - XTS 41



Ceiling bracket - SKB 12



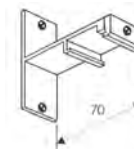
Suspension bracket - SKB 16



Support - SKB 18



Wall bracket - SKB 21



Kit bracket + rope 6 meters - 142626



230V H TRACKS



Colour(s)

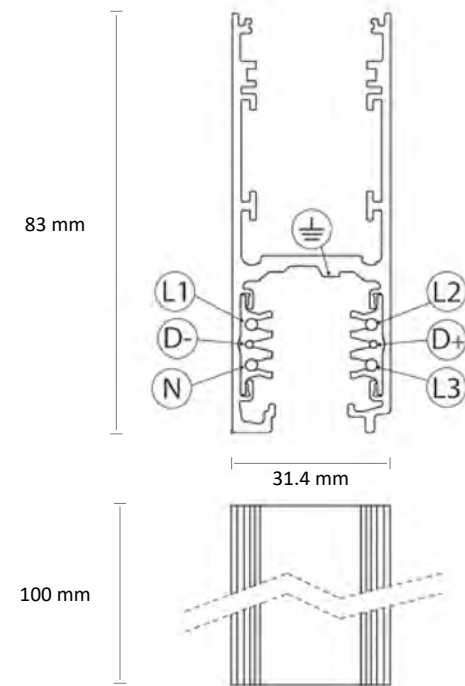


LED TRACKS

- Available lengths : 1, 2, 3 ou 4 meters
- Option(s) : Compatible with 1-10V or DALI grading systems

The electronic power supply to switch from 230V to 48V is not included in the rail and will be in form of a box to be placed in the ceiling or the furniture.

Dimensions



ACCESSORIES

Cap



Conductor cutting tool



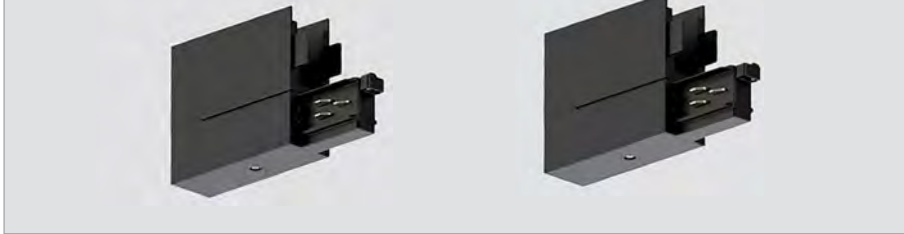
Indirect opal basin



Indirect opal basin which protrudes



External power supply



230V H TRACKS

Central power supply



Online connector



L connector



L connector



T connector



T connector



T connector



T connector



X connector



Online stirrup



Suspension stirrup hole $\varnothing 6$



Suspension stirrup



230V TRIMLESS TRACKS



Couleur(s)

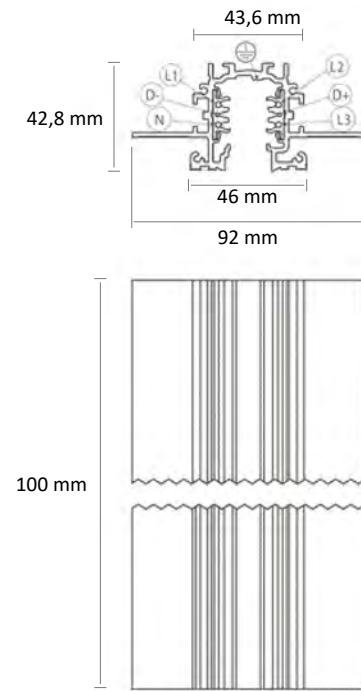


RAILS LED

- Available lengths : 1, 2, 3 ou 4 meters
- Option(s) : Compatible with 1-10V or DALI grading systems

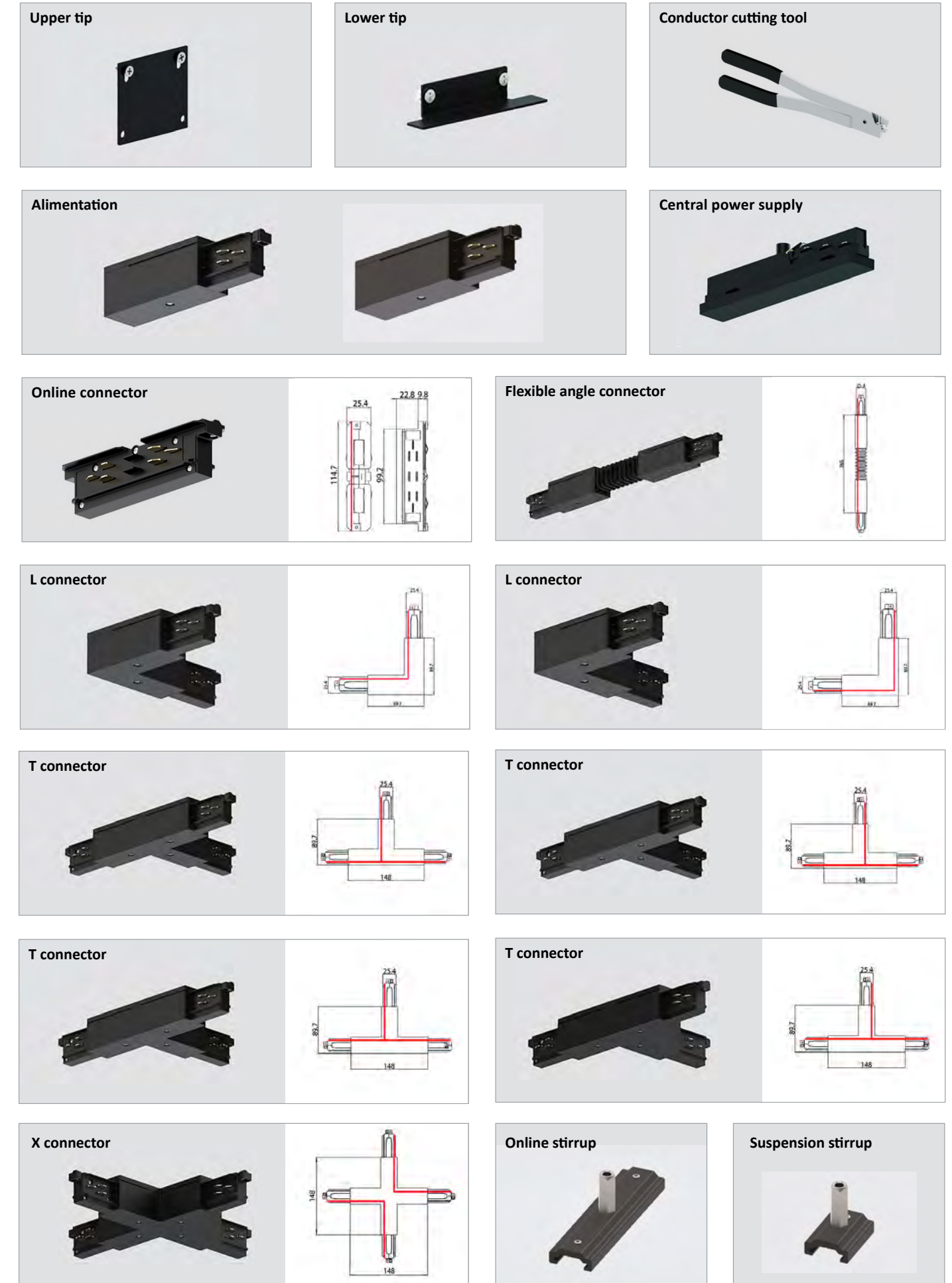
The electronic power supply to switch from 230V to 48V is not included in the rail and will be in form of a box to be placed in the ceiling or the furniture.

Dimensions

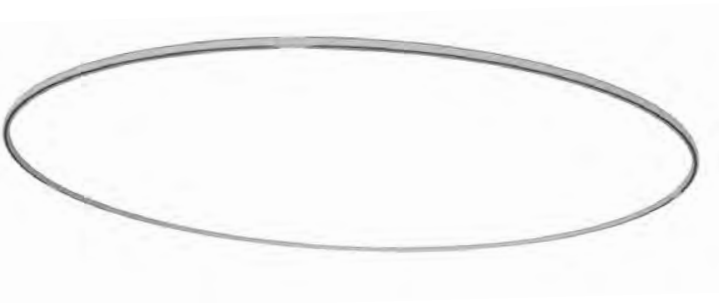


230V TRIMLESS TRACKS

ACCESSOIRES



CURVED 3-CIRCUIT TRACKS



Colours



CURVED 3-CIRCUIT TRACKS

- Available diameters : 4000mm, 5000mm, 6000mm
- Curved 3-circuit tracks is delivered in kit form with power supplies and electrical connections provided
- Quarter and half circle configuration possible

ACCESSORY

Suspension bracket



CONTINUOUS ROWS





▲ NEW GENERATION OPTICS ▲ TRATO MICROSTRUCTURED FREEFORM

▲ TRATO MICROSTRUCTURED FREEFORM OPTICS

Precision for performance

At TRATO, we know that **the synergy between quality optics and a high-performance LED module is the key to optimum luminous efficiency**. That's why we've developed a new generation of optic solutions combined with innovative linear LED modules, designed to meet the highest requirements on the market.

A breakthrough technology : the freeform microstructure

Our **TMF (TRATO Microstructured Freeform)** lenses use **advanced optical technology** based on geometric microstructuring, able to direct light with an **exceptional precision**.

Result :

- An **increased energy efficiency**,
- A **perfect chromatic homogeneity**,
- A **significant reduction of glare**,
- And a **superior visual comfort**, whatever of the observer's position.

Technical performance :

- Distributions available : **Symmetrical, Asymmetrical, Double Asymmetrical**
- **Color Over Angle (COA) correction** for homogeneous colour reproduction
- **Freeform technology** : targeted and controlled light distribution
- Optimised flows and **better thermal management**

▲ CUSTOM GEN4 LINEAR MODULES

Versatility, robustness and lighting excellence

Gen4 linear LED modules have been designed to adapt to a wide variety of projects, from the most economical to the most technical, while guaranteeing **exceptional durability**.

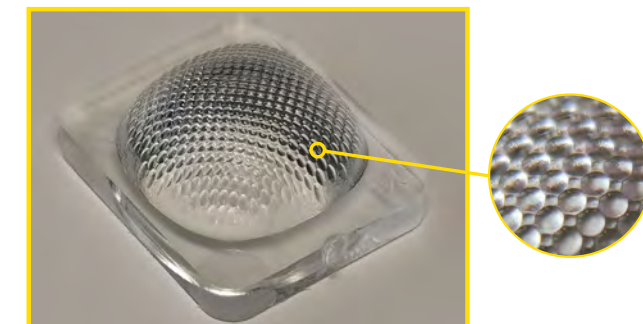
Two available versions :

- **Middle Flux – Affordable & Efficient**
Ideal for installations with restrictive budget without compromising performance. Versatile use.
- **High Flux – Premium & Superior Chromatic Rendering**
Designed for applications requiring a high colour rendering index (R9), such as textiles and decoration. Suitable for the retail sector.

Key benefits :

- **ENEC Certification**
- **5 years guarantee**
- **High luminous flux retention** over time
- **Conforms to the most strict performance and safety standards**

Geometric microstructuring of the lens



OPTIMUM SYNERGY : MODULE + OPTICS

Combining **TMF lenses** with **Gen4 LED modules** creates a **complete and intelligent** lighting solution. This complementarity allows to :

- **Maximise optical efficiency**,
- **Guarantee controlled light diffusion**,
- **And ensure chromatic consistency** across the entire beam.

ALL PRODUCTS COMPATIBLE WITH THE TMF LENS CONTAIN THE PICTOGRAM :



LC 5141 LED

CONTINUOUS ROWS LED

- Suspended continuous row lighting for LINEAR LED module, maximum 12 750 lumens
- CRI of 80
- MacAdam Ellipse : 3 SDCM
- Available in 3 000 K and 4 000 K
- Middle flux module 100 000 hours lamp life (L80B10), 50 000h (L90B10)
- High flux module 100 000 hours lamp life (L90B10)
- Luminous efficiency of system up to 186,5 lm/W
- Available in single module, in continuous row or discontinuous row lighting
- Housing made of prelacquered steel
- Cluster optical with lens, made of polycarbonate (PC)
- Static heat sink
- Optical compartment protected against shocks and dust
- Mechanical junction without tools
- Trunking length : 1700 mm and 3400 mm
- Board length : 1700 mm
- If built-in sensor: trunking length 1800 mm et 3500 mm
- Board length with sensor : 1800 mm
- **Driver(s)** : Fixed, Dimmable DALI, Casambi, Connect
- **Accessories** : Line departure kit, suspension bracket, socket supply kit, closing cover
- **Option(s)** : Lighting sensor and-or movement detection (CEL), Independent Unit lighting Security (BAES), Possibility of adding a socket on the shaft or a spotlight
- **Photobiological risk group 0**
- ENEC-labelled module and converter
- Red rendering (R9) : R9>50 (High flux), R9>0 (Middle flux)

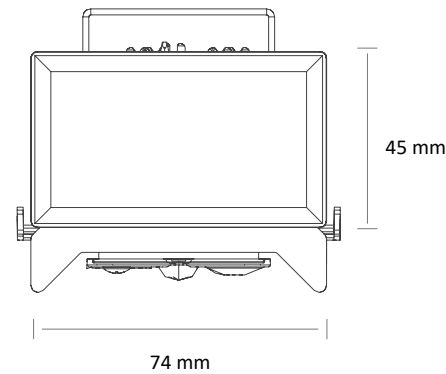
Driver(s)



Standards

Class I | IP 20 | 650° | RG0

Dimensions



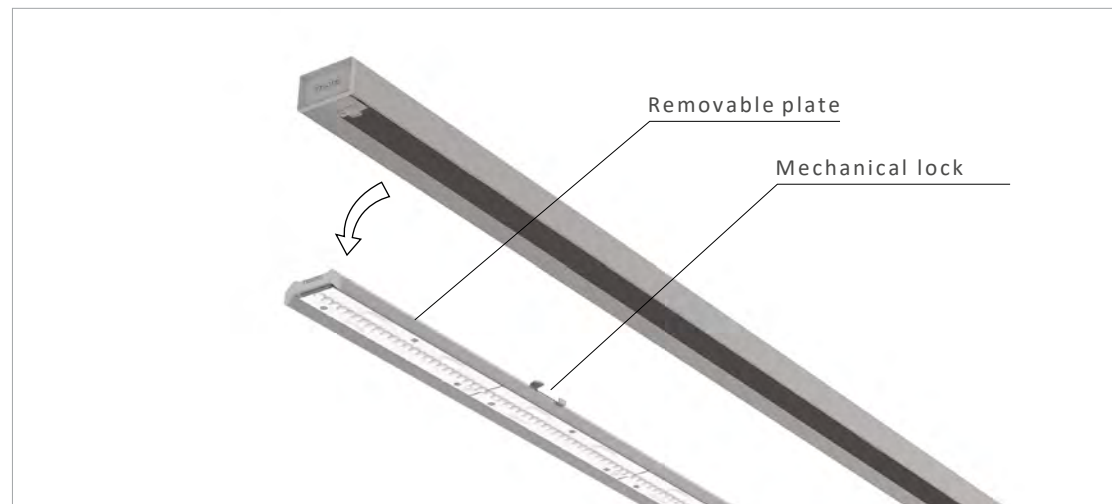
Colour(s)



Light distribution



Accessories



LC 5141 LED

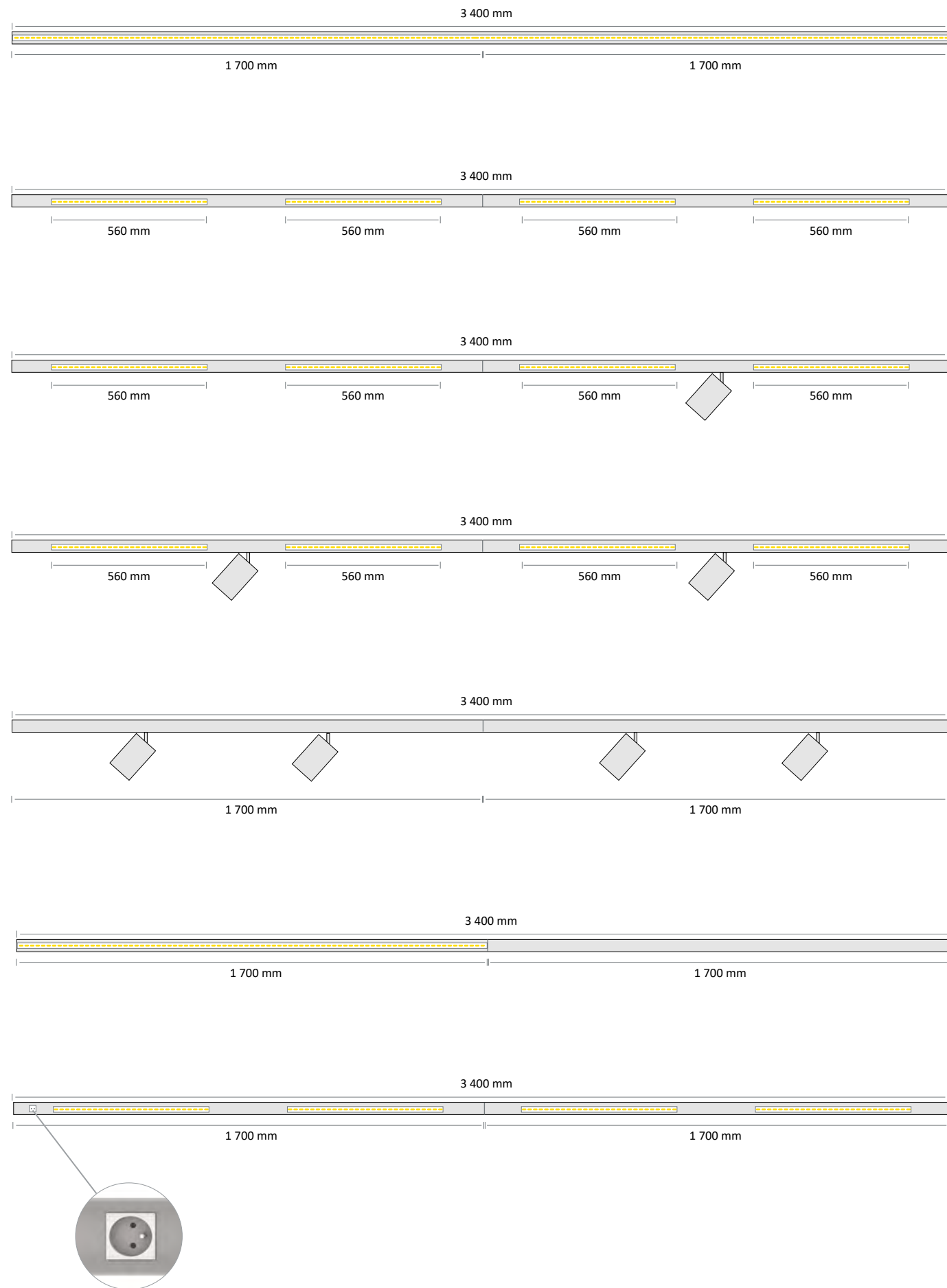
PERFORMANCES OF THE COMPONENTS HIGH FLUX

ITEM	NB OF MODULE(S)	CONSUMPTION	LUMINOUS FLUX	SYSTEM EFFICIENCY	COLOUR TEMPERATURE	CRI	EFFICIENCY ENERGY CLASS
PLATINE 5141 LED M 4600 HE-830	2	26,5 W	4640 lumens	175 lm/W	3000 K	80	C
PLATINE 5141 LED M 4600 HE-840	2	26,5 W	4740 lumens	178,7 lm/W	4000 K	80	C
PLATINE 5141 LED M 6600 HE-830	3	38,1 W	6960 lumens	182,6 lm/W	3000 K	80	C
PLATINE 5141 LED M 6600 HE-840	3	38,1 W	7110 lumens	186,5 lm/W	4000 K	80	C
PLATINE 5141 LED M 7000-830	2	40,8 W	7100 lumens	173,6 lm/W	3000 K	80	C
PLATINE 5141 LED M 7000-840	2	40,8 W	7240 lumens	177 lm/W	4000 K	80	C
PLATINE 5141 LED M 8000-830	2	48,4 W	8340 lumens	172,1 lm/W	3000 K	80	C
PLATINE 5141 LED M 8000-840	2	48,4 W	8500 lumens	175,4 lm/W	4000 K	80	C
PLATINE 5141 LED M 10500-830	3	59,4 W	10650 lumens	179,1 lm/W	3000 K	80	C
PLATINE 5141 LED M 10500-840	3	59,4 W	10860 lumens	182,6 lm/W	4000 K	80	C
PLATINE 5141 LED M 12000-830	3	71,1 W	12510 lumens	175,7 lm/W	3000 K	80	C
PLATINE 5141 LED M 12000-840	3	71,1 W	12750 lumens	179,1 lm/W	4000 K	80	C

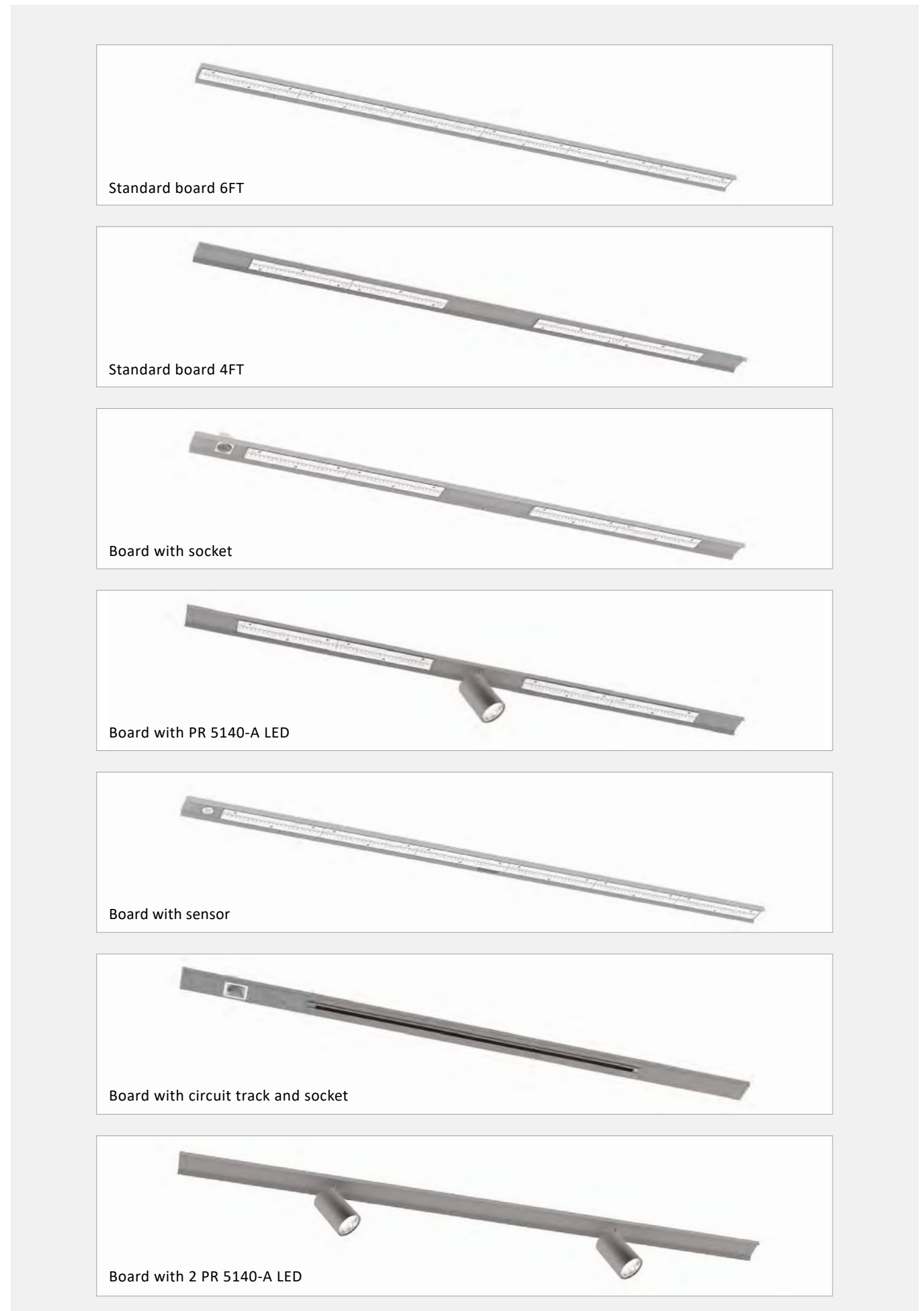
PERFORMANCES OF THE COMPONENTS MIDDLE FLUX

ITEM	NB OF MODULE(S)	CONSUMPTION	LUMINOUS FLUX	SYSTEM EFFICIENCY	COLOUR TEMPERATURE	CRI	EFFICIENCY ENERGY CLASS
PLATINE 5141 LED M 4600-830	2	26,4 W	4480 lumens	169,2 lm/W	3000 K	80	C
PLATINE 5141 LED M 4600-840	2	26,4 W	4680 lumens	176,8 lm/W	4000 K	80	C
PLATINE 5141 LED M 6600-830	3	38 W	6750 lumens	177,5 lm/W	3000 K	80	C
PLATINE 5141 LED M 6600-840	3	38 W	7080 lumens	186,2 lm/W	4000 K	80	C
PLATINE 5141 LED M 7000 HO-830	2	40,8 W	6840 lumens	167,6 lm/W	3000 K	80	C
PLATINE 5141 LED M 7000 HO-840	2	40,8 W	7160 lumens	175,4 lm/W	4000 K	80	C
PLATINE 5141 LED M 8500-830	3	48,8 W	8490 lumens	173,9 lm/W	3000 K	80	C
PLATINE 5141 LED M 8500-840	3	48,8 W	8880 lumens	181,9 lm/W	4000 K	80	C
PLATINE 5141 LED M 10500 HO-830	3	59,7 W	10260 lumens	171,7 lm/W	3000 K	80	C
PLATINE 5141 LED M 10500 HO-840	3	59,7 W	10740 lumens	179,7 lm/W	4000 K	80	C

■ EXAMPLES OF CONFIGURATIONS

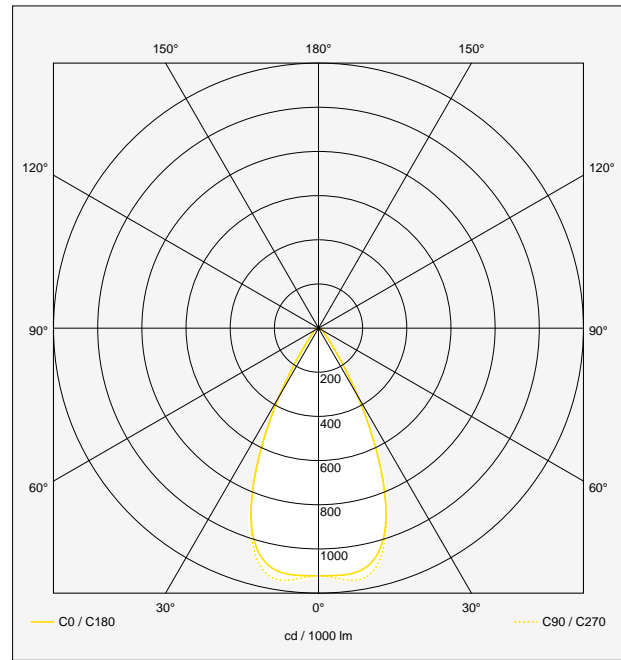


■ CONFIGURATION POSSIBILITIES

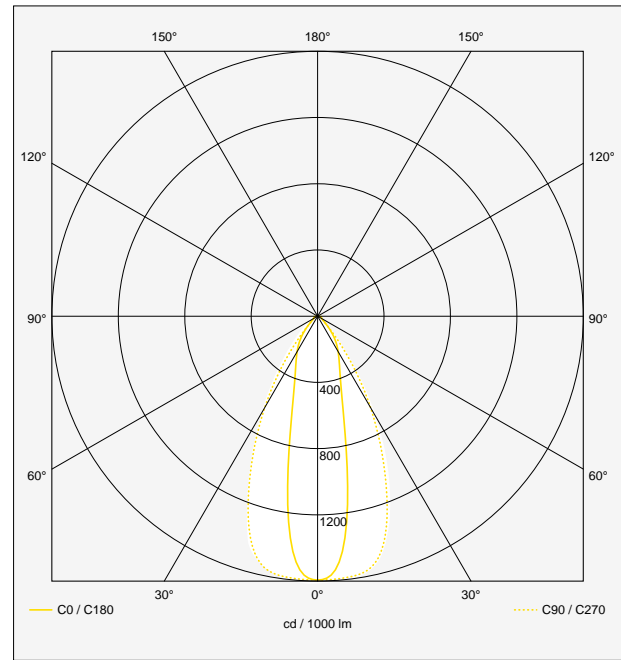


■ LIGHT DISTRIBUTION

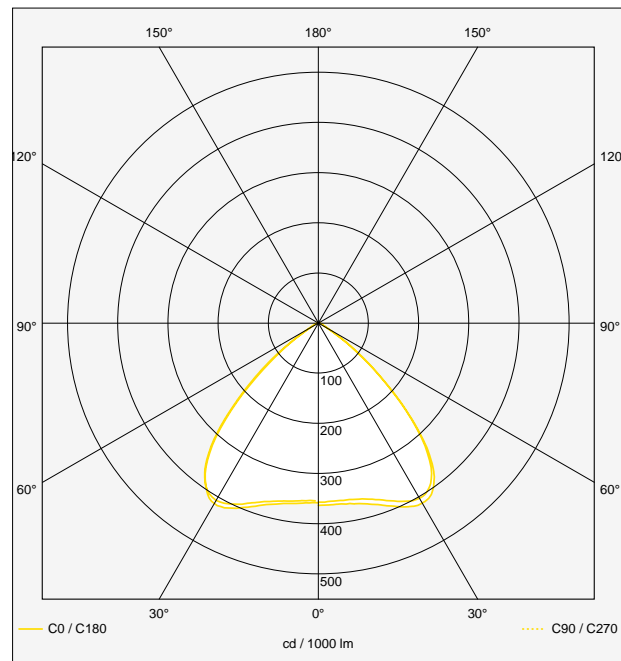
Mid-intensive
LOR 96 %



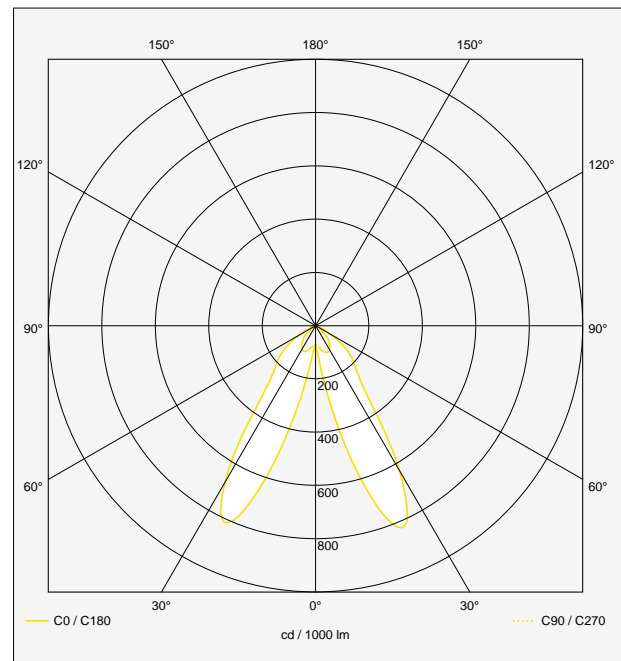
Elliptical
LOR 96,5 %



Symmetrical
LOR 97 %

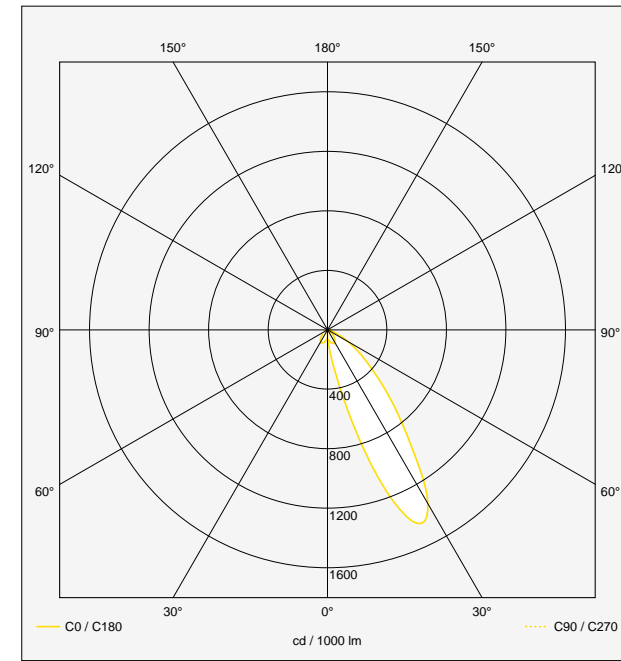


Double asymmetrical:
LOR 97 %



■ LIGHT DISTRIBUTION

Asymmetrical:
LOR 92 %



ACCENT LIGHTING - PR 5140-A LED

- Orientable projector for LED SPOT module, maximum 4 657 lumens
- CRI of 80 or 90
- MacAdam Ellipse : 2 SDCM
- Available in 2 700 K, 3 000 K, 3 500 K and 4 000 K
- 50 000 hours lamp life (L80B10)
- Luminous efficiency of system up to 161,5 lm/W
- 3-circuits track adaptor with integrated driver
- Head of spot made of die-cast aluminium
- Aluminium reflective optics

- **Weight** : Approx. 0,9 kg
- **Driver(s)** : Fixed, Dimmable DALI, Casambi, Connect
- **Option(s)** : Elliptical reflector (ELL), Shutter (VOL), Concealed in-rail converter (Ghost)
- Photobiological risk group 1



Colour(s)



Driver(s)



Standards

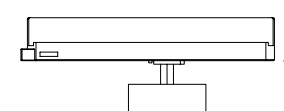
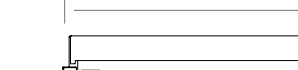
Class II | IP 20 | 650° | RG1

Beam(s)



Dimensions

166 mm (Fixed) / 263 mm (DALI)



LC 3976 LED EVO



TMF

Colour(s)



Light distribution



SYM ASY DASY ELL SI

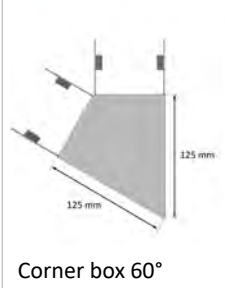
Accessories



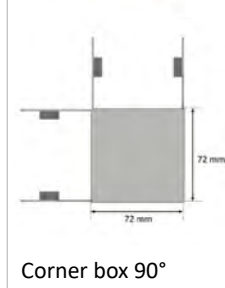
Suspension bracket



Line endcap



Corner box 60°



Corner box 90°

CONTINUOUS ROWS - LED

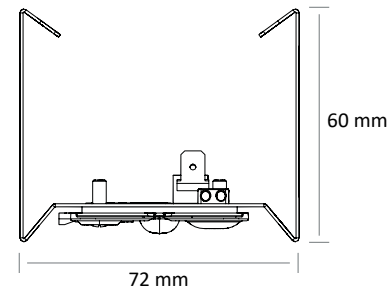
- Suspended continuous row lighting for LINEAR LED module, maximum 25 500 lumens
- CRI of 80
- MacAdam Ellipse : 3 SDCM
- Available in 3 000 K and 4 000 K
- Middle flux module 100 000 hours lamp life (L80B10), 50 000h (L90B10)
- High flux module 100 000 hours lamp life (L90B10)
- Luminous efficiency of system up to 186,5 lm/W
- Available in single module, in continuous row or discontinuous row lighting
- Housing made of prelacquered steel
- Cluster optical with lens, made of polycarbonate (PC)
- Endcaps and suspension brackets are available in accessories
- Static heat sink
- Optical compartment protected against shocks and dust
- Sliding suspension brackets, distance between brackets maximum 3 500 mm
- Mechanical junction without tools
- **Weight** : Approx. 4 kg (1 750 mm), 8 kg (3 500 mm)
- **Standards housing lengths** : 1 750 mm, 3 500 mm
- **Driver(s)** : Fixed, Dimmable DALI, Casambi, Connect
- **Option(s)** : Lighting sensor and-or movement detection (CEL), Independent Unit lighting Security (BAES)
- **Photobiological risk group 0**
- ENEC-labelled component and driver
- Red rendering (R9) : R9>50 (High flux), R9>0 (Middle flux)

Driver(s)



Standards

Class I | IP 20 | 650° | IK 10 | RG0



LC 3976 LED EVO

PERFORMANCES OF THE COMPONENTS HIGH FLUX

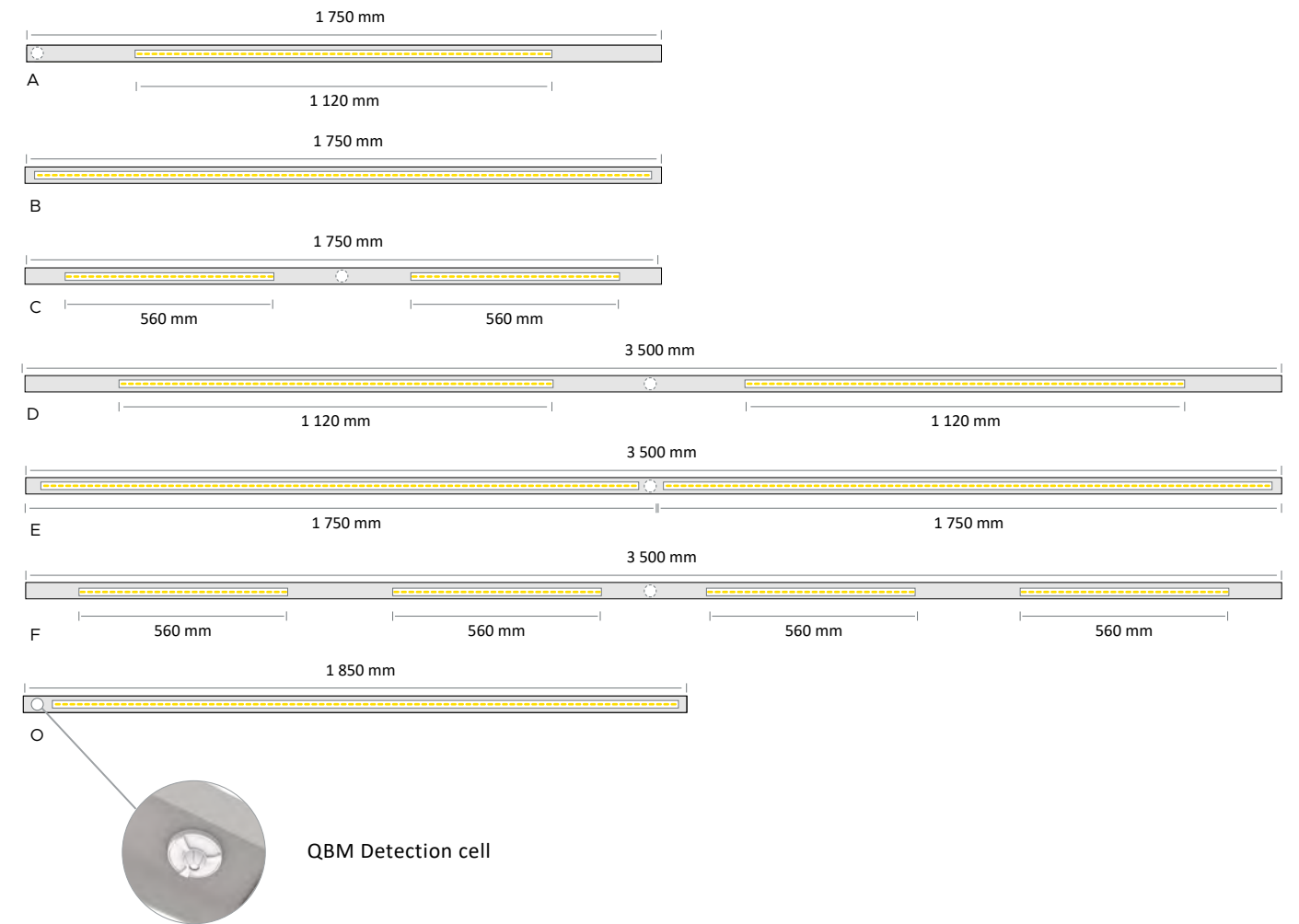
ITEM	LENGHT (MM)	CONFIGURATIONS	NB OF MODULE(S)	CONSUMPTION	LUMINOUS FLUX	SYSTEM EFFICIENCY	COLOUR TEMPERATURE	CRI	EFFICIENCY ENERGY CLASS
LC 3976 LED M 4600 HE-830	1 750	A / C / I / J	2	26,5 W	4 640 lumens	175 lm/W	3000 K	80	C
LC 3976 LED M 4600 HE-840	1 750	A / C / I / J	2	26,5 W	4 740 lumens	178,7 lm/W	4000 K	80	C
LC 3976 LED MM 4600 HE-830	3 500	D / F / K / L	4	53 W	9 280 lumens	175 lm/W	3000 K	80	C
LC 3976 LED MM 4600 HE-840	3 500	D / F / K / L	4	53 W	9 480 lumens	178,7 lm/W	4000 K	80	C
LC 3976 LED M 6600 HE-830	1 750	B / O / G / M* / P	3	38,1 W	6 960 lumens	182,6 lm/W	3000 K	80	C
LC 3976 LED M 6600 HE-840	1 750	B / O / G / M* / P	3	38,1 W	7 110 lumens	186,5 lm/W	4000 K	80	C
LC 3976 LED MM 6600 HE-830	3 500	E / H / N*	6	76,2 W	13 920 lumens	182,6 lm/W	3000 K	80	C
LC 3976 LED MM 6600 HE-840	3 500	E / H / N*	6	76,2 W	14 220 lumens	186,5 lm/W	4000 K	80	C
LC 3976 LED M 7000-830	1 750	A / C / I / J	2	40,8 W	7 100 lumens	173,6 lm/W	3000 K	80	C
LC 3976 LED M 7000-840	1 750	A / C / I / J	2	40,8 W	7 240 lumens	177 lm/W	4000 K	80	C
LC 3976 LED MM 7000-830	3 500	D / F / K / L	4	81,6 W	14 200 lumens	173,6 lm/W	3000 K	80	C
LC 3976 LED MM 7000-840	3 500	D / F / K / L	4	81,6 W	14 480 lumens	177 lm/W	4000 K	80	C
LC 3976 LED M 8000-830	1 750	A / C / I / J	2	48,4 W	8 340 lumens	172,1 lm/W	3000 K	80	C
LC 3976 LED M 8000-840	1 750	A / C / I / J	2	48,4 W	8 500 lumens	175,4 lm/W	4000 K	80	C
LC 3976 LED MM 8000-830	3 500	D / F / K / L	4	96,8 W	16 680 lumens	172,1 lm/W	3000 K	80	C
LC 3976 LED MM 8000-840	3 500	D / F / K / L	4	96,8 W	17 000 lumens	175,4 lm/W	4000 K	80	C
LC 3976 LED M 10500-830	1 750	B / O / G / M* / P	3	59,4 W	10 650 lumens	179,1 lm/W	3000 K	80	C
LC 3976 LED M 10500-840	1 750	B / O / G / M* / P	3	59,4 W	10 860 lumens	182,6 lm/W	4000 K	80	C
LC 3976 LED MM 10500-830	3 500	E / H / N*	6	118,8 W	21 300 lumens	179,1 lm/W	3000 K	80	C
LC 3976 LED MM 10500-840	3 500	E / H / N*	6	118,8 W	21 720 lumens	182,6 lm/W	4000 K	80	C
LC 3976 LED M 12000-830	1 750	B / O / G / M* / P	3	71,1 W	12 510 lumens	175,7 lm/W	3000 K	80	C
LC 3976 LED M 12000-840	1 750	B / O / G / M* / P	3	71,1 W	12 750 lumens	179,1 lm/W	4000 K	80	C
LC 3976 LED MM 12000-830	3 500	E / H / N*	6	142,2 W	25 020 lumens	175,7 lm/W	3000 K	80	C
LC 3976 LED MM 12000-840	3 500	E / H / N*	6	142,2 W	25 500 lumens	179,1 lm/W	4000 K	80	C

PERFORMANCES OF THE COMPONENTS MIDDLE FLUX

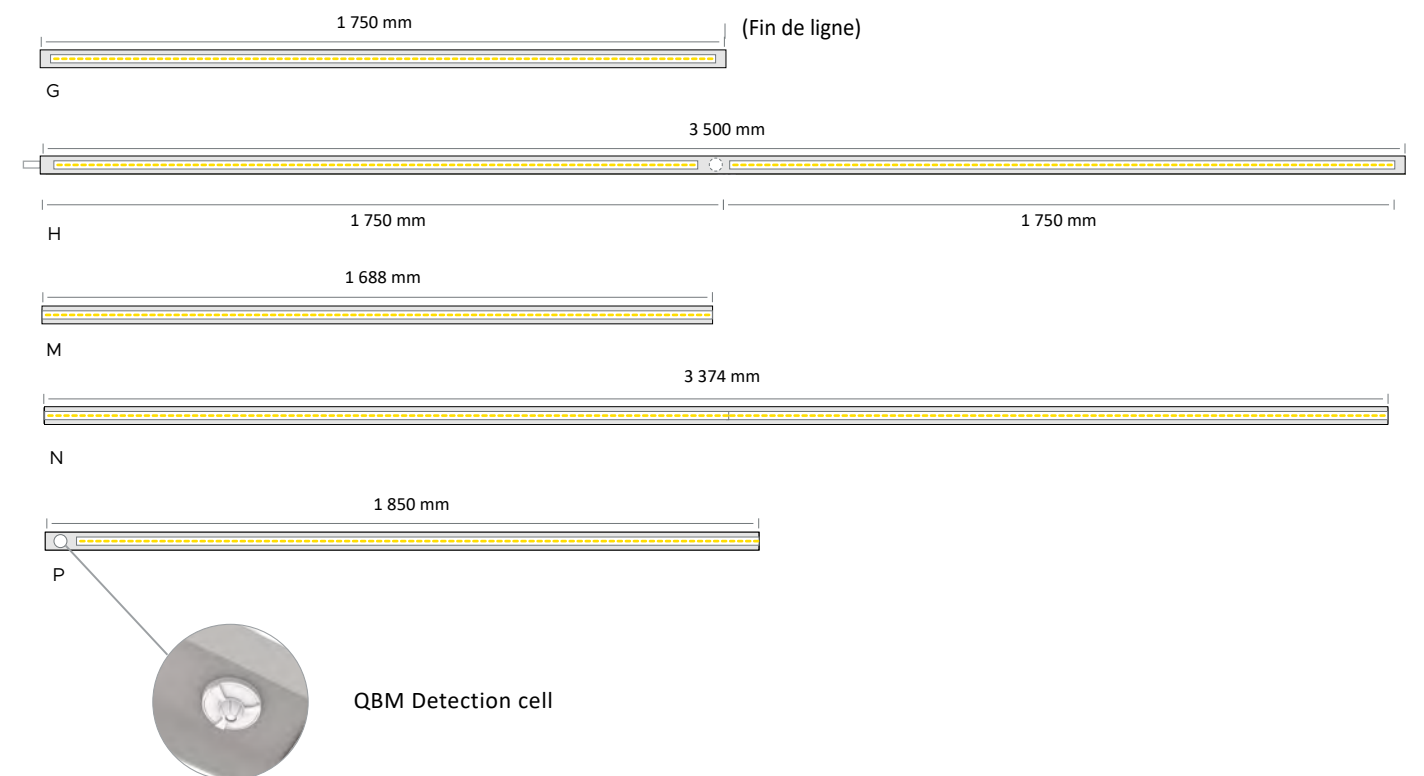
ITEM	LENGHT (MM)	CONFIGURATIONS	NB OF MODULE(S)	CONSUMPTION	LUMINOUS FLUX	SYSTEM EFFICIENCY	COLOUR TEMPERATURE	CRI	EFFICIENCY ENERGY CLASS
LC 3976 LED M 4600-830	1 750	A / C / I / J	2	26,4 W	4 480 lumens	169,2 lm/W	3000 K	80	C
LC 3976 LED M 4600-840	1 750	A / C / I / J	2	26,4 W	4 680 lumens	176,8 lm/W	4000 K	80	C
LC 3976 LED MM 4600-830	3 500	D / F / K / L	4	52,8 W	8 960 lumens	169,2 lm/W	3000 K	80	C
LC 3976 LED MM 4600-840	3 500	D / F / K / L	4	52,8 W	9 360 lumens	176,8 lm/W	4000 K	80	C
LC 3976 LED M 6600-830	1 750	B / O / G / M* / P	3	38 W	6 750 lumens	177,5 lm/W	3000 K	80	C
LC 3976 LED M 6600-840	1 750	B / O / G / M* / P	3	38 W	7 080 lumens	186,2 lm/W	4000 K	80	C
LC 3976 LED MM 6600-830	3 500	E / H / N*	6	76 W	13 500 lumens	177,5 lm/W	3000 K	80	C
LC 3976 LED MM 6600-840	3 500	E / H / N*	6	76 W	14 160 lumens	186,2 lm/W	4000 K	80	C
LC 3976 LED M 7000 HO-830	1 750	A / C / I / J	2	40,8 W	6 840 lumens	167,6 lm/W	3000 K	80	C
LC 3976 LED M 7000 HO-840	1 750	A / C / I / J	2	40,8 W	7 160 lumens	175,4 lm/W	4000 K	80	C
LC 3976 LED MM 7000 HO-830	3 500	D / F / K / L	4	81,6 W	13 680 lumens	167,6 lm/W	3000 K	80	C
LC 3976 LED MM 7000 HO-840	3 500	D / F / K / L	4	81,6 W	14 320 lumens	175,4 lm/W	4000 K	80	C
LC 3976 LED M 8500-830	1 750	B / O / G / M* / P	3	48,8 W	8 490 lumens	173,9 lm/W	3000 K	80	C
LC 3976 LED M 8500-840	1 750	B / O / G / M* / P	3	48,8 W	8 880 lumens	181,9 lm/W	4000 K	80	C
LC 3976 LED MM 8500-830	3 500	E / H / N*	6	97,6 W	16 980 lumens	173,9 lm/W	3000 K	80	C
LC 3976 LED MM 8500-840	3 500	E / H / N*	6	97,6 W	17760 lumens	181,9 lm/W	4000 K	80	C
LC 3976 LED M 10500 HO-830	1 750	B / O / G / M* / P	3	59,7 W	10 260 lumens	171,7 lm/W	3000 K	80	C
LC 3976 LED M 10500 HO-840	1 750	B / O / G / M* / P	3	59,7 W	10 740 lumens	179,7 lm/W	4000 K	80	C
LC 3976 LED MM 10500 HO-830	3 500	E / H / N*	6	119,4 W	20 520 lumens	171,7 lm/W	3000 K	80	C
LC 3976 LED MM 10500 HO-840	3 500	E / H / N*	6	119,4 W	21 480 lumens	179,7 lm/W	4000 K	80	C

CONFIGURATIONS

INDIVIDUAL MODULE

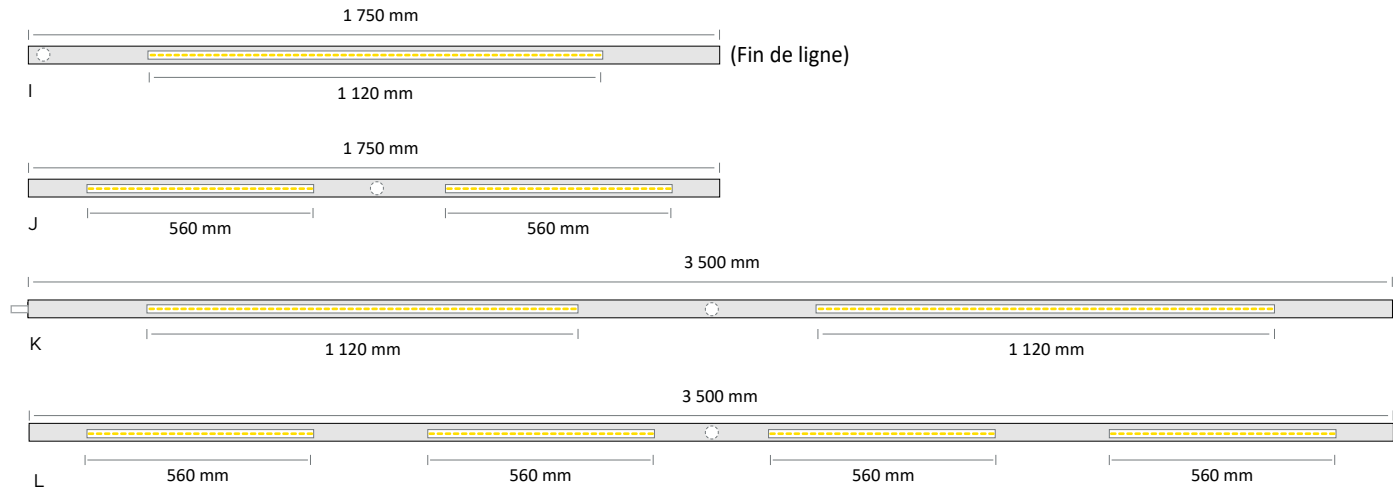


CONTINUOUS ROW



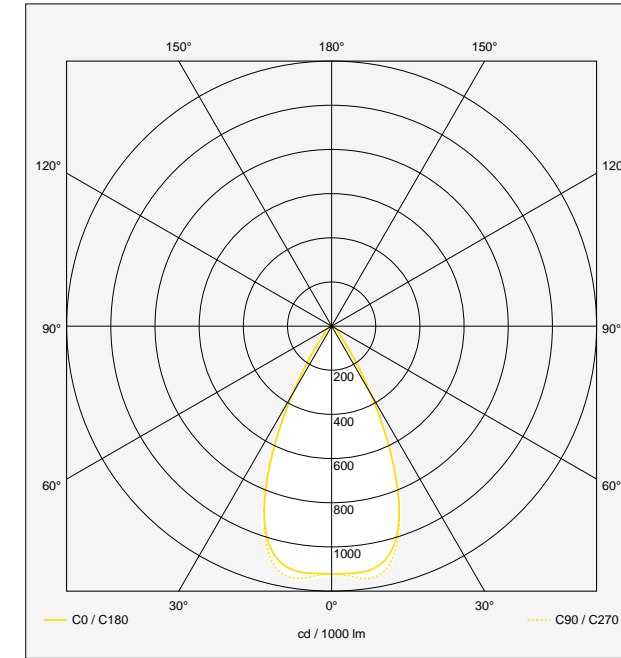
CONFIGURATIONS

DISCONTINUOUS ROW

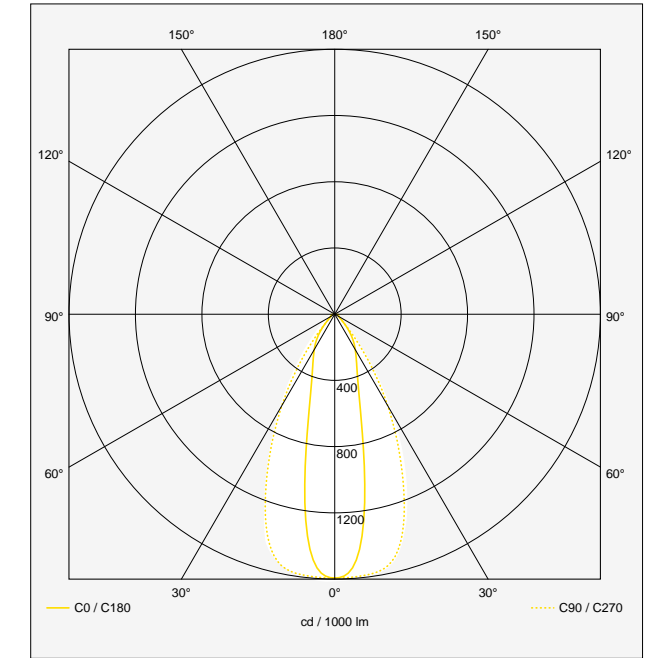


LIGHT DISTRIBUTION

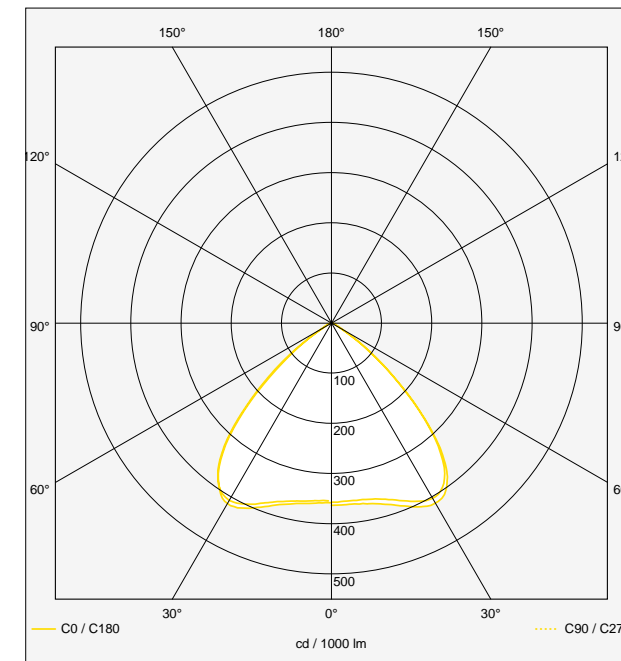
Mid-intensive
LOR 96 %



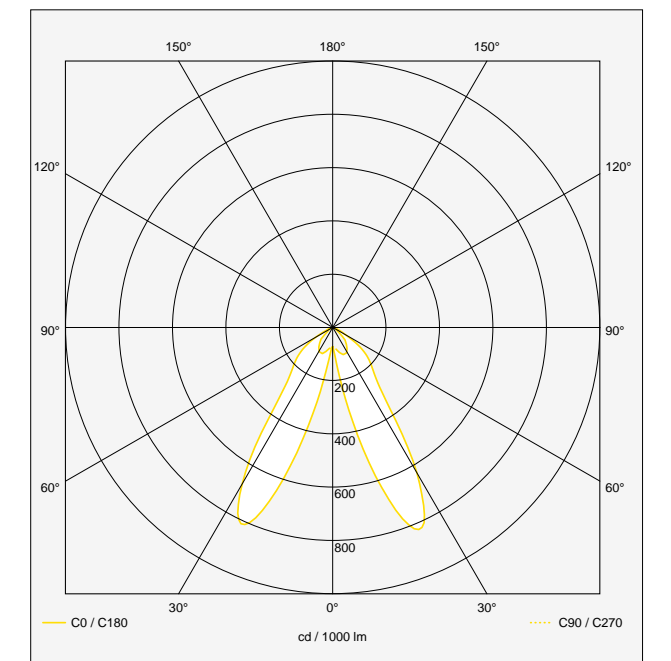
Elliptical
LOR 96,5 %



Symmetrical
LOR 97 %



Double asymmetrical:
LOR 97 %



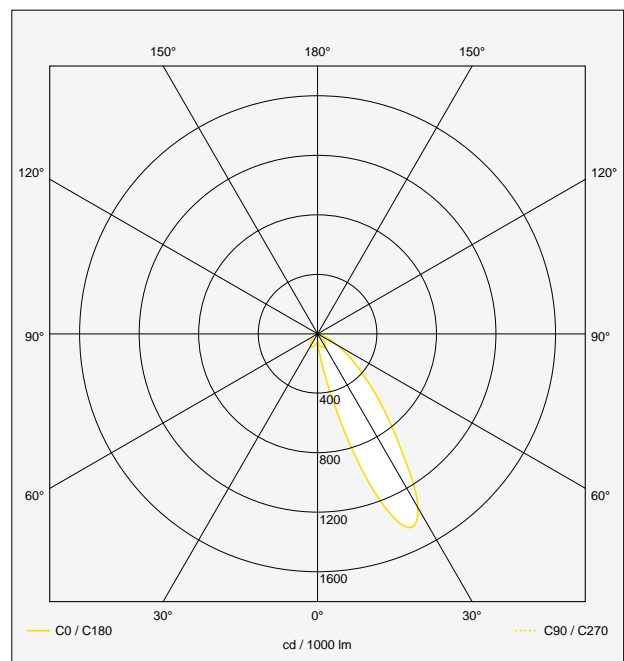
LC 3976 LED EVO

LIGHT DISTRIBUTION

Asymmetrical:
LOR 92 %



ASY



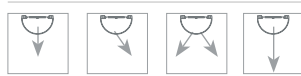
LC 3887 LED



Colour(s)



Light distribution



SYM ASY DASY INT



CONTINUOUS ROWS LED

- Suspended continuous row lighting for LINEAR LED module, maximum 22 488 lumens
- CRI of 80
- MacAdam Ellipse : 3SDCM
- Available in 3 000 K and 4 000 K
- 50 000 hours of Lamp life (L80B20)
- Luminous efficiency of system up to 177,3 lm/W
- Available in single module, in continuous row or discontinuous row lighting
- Housing made of prelacquered steel
- Innovative high output optical system, made of grooved extruded polymethyl methacrylate (PMMA), with prisms
- Easier maintenance thanks to extractable optical system without tools
- The end caps of the optical system are made of injected polycarbonate
- Endcaps and suspension brackets are available in accessories
- Static heat sink with an aluminium profile
- Dust-proof optical compartment (IP 60)
- Sliding suspension brackets, distance between brackets maximum 3 500 mm
- Mechanical junction without tools
- **Weight** : Approx. 4 kg (1750 mm), 9 kg (3500 mm)
- **Standards housing lengths** : 1 750 mm, 3 500 mm
- **Driver(s)** : Fixed, Dimmable DALI
- **Option(s)** : Lighting sensor and-or movement detection (CEL), Steel white louvre (GLB)

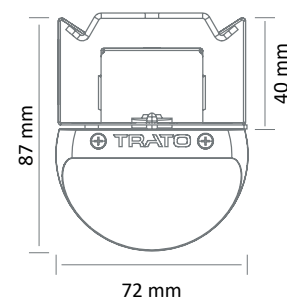
Driver(s)



Standards

Class I | IP20 (luminaire) / IP 60 (optical) | 650° IK07

Dimensions



LC 3887 LED

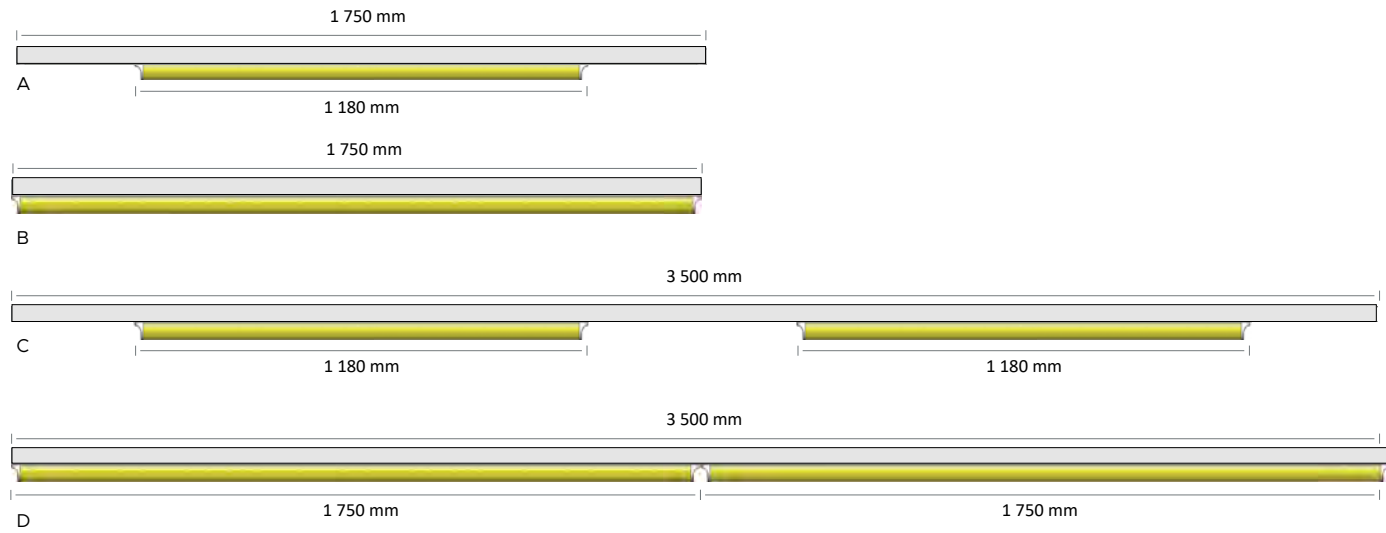
PERFORMANCES

ITEM	LENGTH (MM)	CONFIGURATIONS	NB DE MODULE(S)	CONSUMPTION	LUMINOUS FLUX	SYSTEM EFFICIENCY	COLOUR TEMPERATURE	CRI	EFFICIENCY ENERGY CLASS
LC 3887 LED M 4400-830	1 750*	A / G / I	2	28,4W	4441 lumens	156,1 lm/W	3000 K	80	C
LC 3887 LED M 4400-840	1 750*	A / G / I	2	28,4W	4670 lumens	164,2 lm/W	4000 K	80	C
LC 3887 LED MM 4400-830	3 500	C / H	4	56,8W	8882 lumens	156,1 lm/W	3000 K	80	C
LC 3887 LED MM 4400-840	3 500	C / H	4	56,8W	9340 lumens	164,2 lm/W	4000 K	80	C
LC 3887 LED M 6600-830	1 750*	B / E / J / K	3	40,3W	6661 lumens	165,3 lm/W	3000 K	80	C
LC 3887 LED M 6600-840	1 750*	B / E / J / K	3	40,3W	7004 lumens	173,8 lm/W	4000 K	80	C
LC 3887 LED MM 6600-830	3 500	D / F	6	80,6W	13322 lumens	165,3 lm/W	3000 K	80	C
LC 3887 LED MM 6600-840	3 500	D / F	6	80,6W	14008 lumens	173,8 lm/W	4000 K	80	C
LC 3887 LED M 7000-830	1 750*	A / G / I	2	44W	7128 lumens	162 lm/W	3000 K	80	C
LC 3887 LED M 7000-840	1 750*	A / G / I	2	44W	7495 lumens	170,3 lm/W	4000 K	80	C
LC 3887 LED MM 7000-830	3 500	C / H	4	88W	14256 lumens	162 lm/W	3000 K	80	C
LC 3887 LED MM 7000-840	3 500	C / H	4	88W	14990 lumens	170,3 lm/W	4000 K	80	C
LC 3887 LED M 8000-830	1 750*	A / G / I	2	51,8W	8251 lumens	159,3 lm/W	3000 K	80	C
LC 3887 LED M 8000-840	1 750*	A / G / I	2	47,9W	8080 lumens	168,7 lm/W	4000 K	80	C
LC 3887 LED MM 8000-830	3 500	C / H	4	103,6W	16502 lumens	159,3 lm/W	3000 K	80	C
LC 3887 LED MM 8000-840	3 500	C / H	4	95,8W	16160 lumens	168,7 lm/W	4000 K	80	C
LC 3887 LED M 8500-830	1 750*	B / E / J / K	3	49,5W	8347 lumens	168,6 lm/W	3000 K	80	C
LC 3887 LED M 8500-840	1 750*	B / E / J / K	3	49,5W	8777 lumens	177,3 lm/W	4000 K	80	C
LC 3887 LED MM 8500-830	3 500	D / F	6	99W	16694 lumens	168,6 lm/W	3000 K	80	C
LC 3887 LED MM 8500-840	3 500	D / F	6	99W	17554 lumens	177,3 lm/W	4000 K	80	C
LC 3887 LED M 10500-830	1 750*	B / E / J / K	3	64,6W	10692 lumens	165,5 lm/W	3000 K	80	C
LC 3887 LED M 10500-840	1 750*	B / E / J / K	3	64,6W	11244 lumens	174 lm/W	4000 K	80	C
LC 3887 LED MM 10500-830	3 500	D / F	6	129,2W	21384 lumens	165,5 lm/W	3000 K	80	C
LC 3887 LED MM 10500-840	3 500	D / F	6	129,2W	22488 lumens	174 lm/W	4000 K	80	C

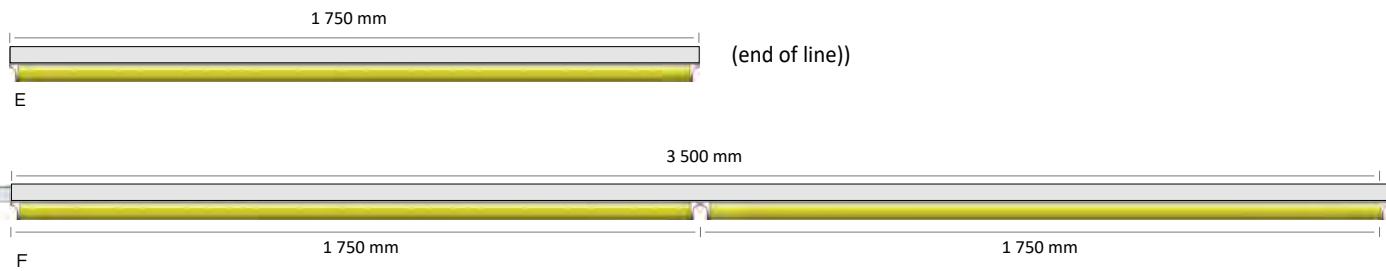
*I and K version in 3500 mm

CONFIGURATIONS

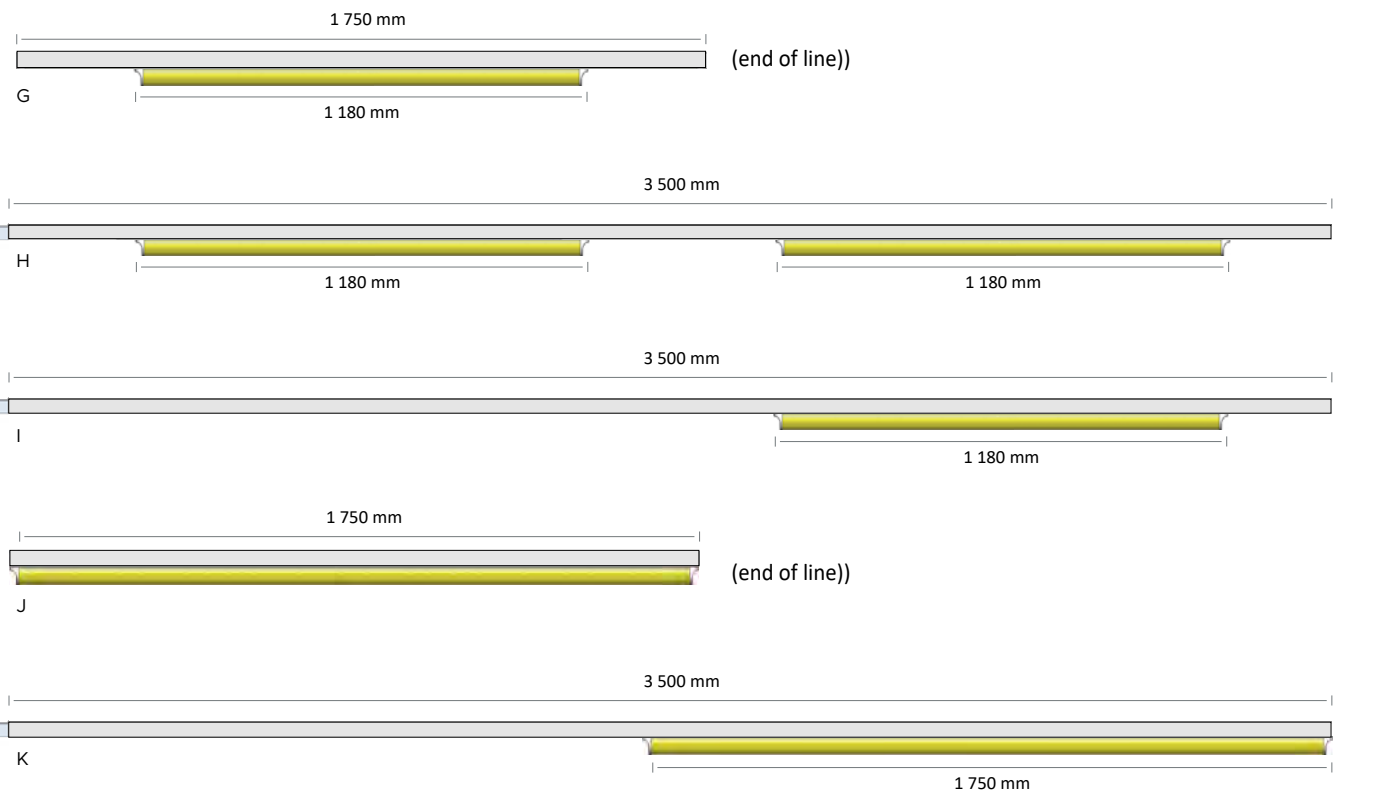
INDIVIDUAL MODULE



CONTINUOUS ROW

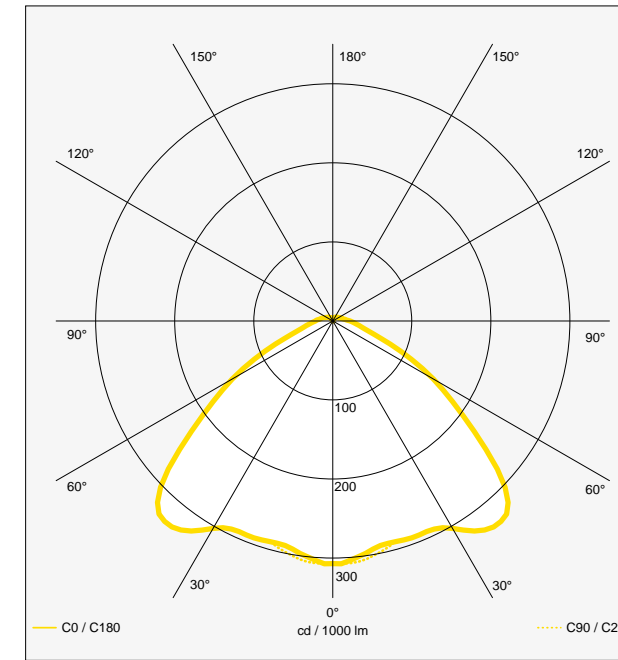


DISCONTINUOUS ROW

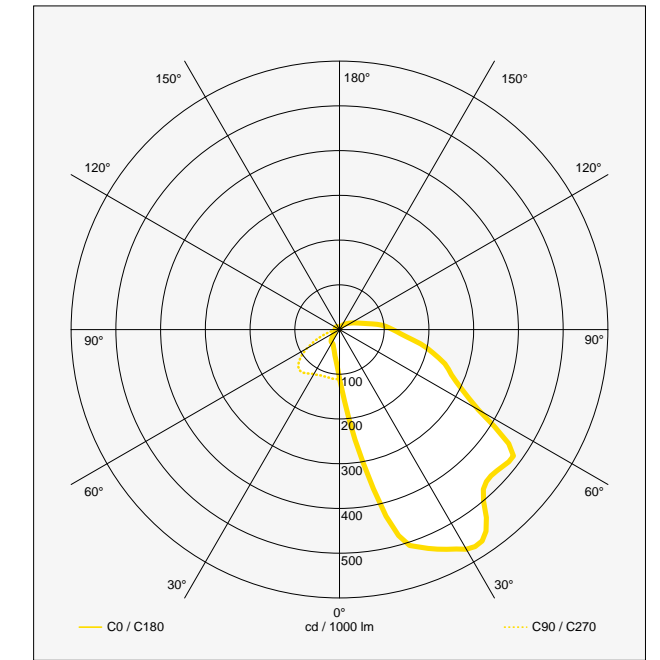


LIGHT DISTRIBUTION

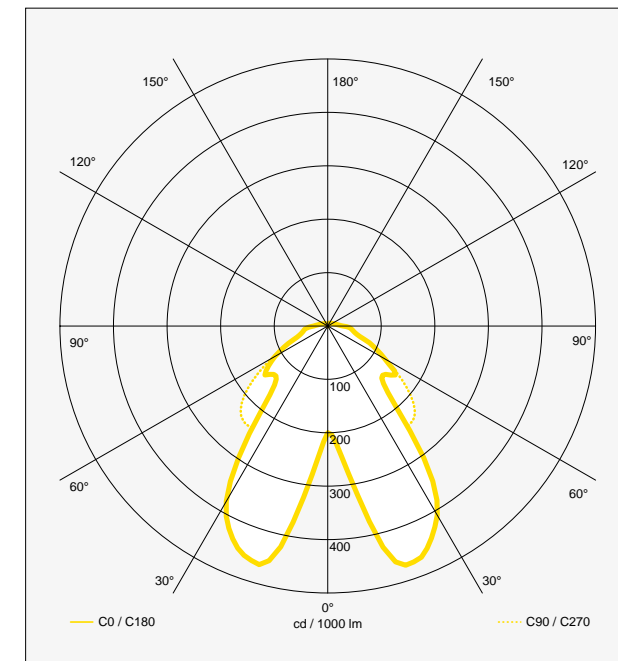
Symmetrical
LOR: 95 %



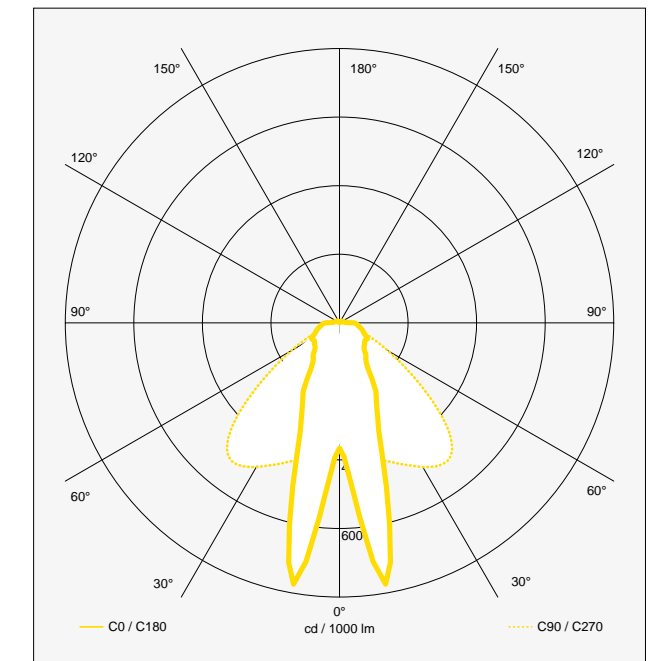
Asymmetrical
LOR: 91 %



Double asymmetrical
LOR: 95 %



Intensive
LOR: 91 %

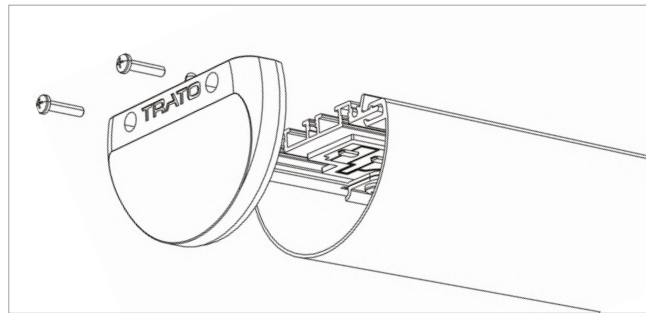
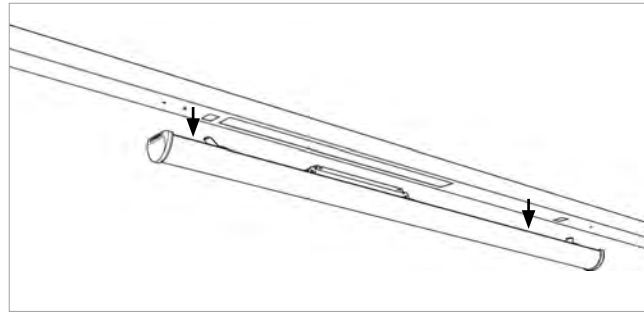


BENEFITS

1

POSSIBLE MAINTENANCE

Optical system removable with the driver for easy maintenance



PROTECTION OF OPTICAL SYSTEM

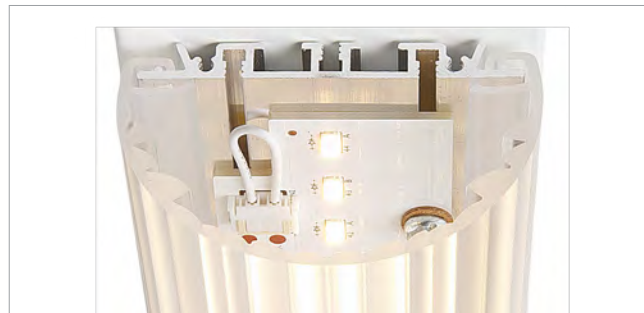
2

Optical system designed to be IP60 dust-proof for a sustainable efficacy

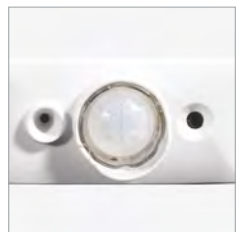
3

DURABILITY

Passive cooling made of aluminium profile for maximal longevity



Option(s)



CEL



GLB

Accessories



Line endcap



Suspension bracket

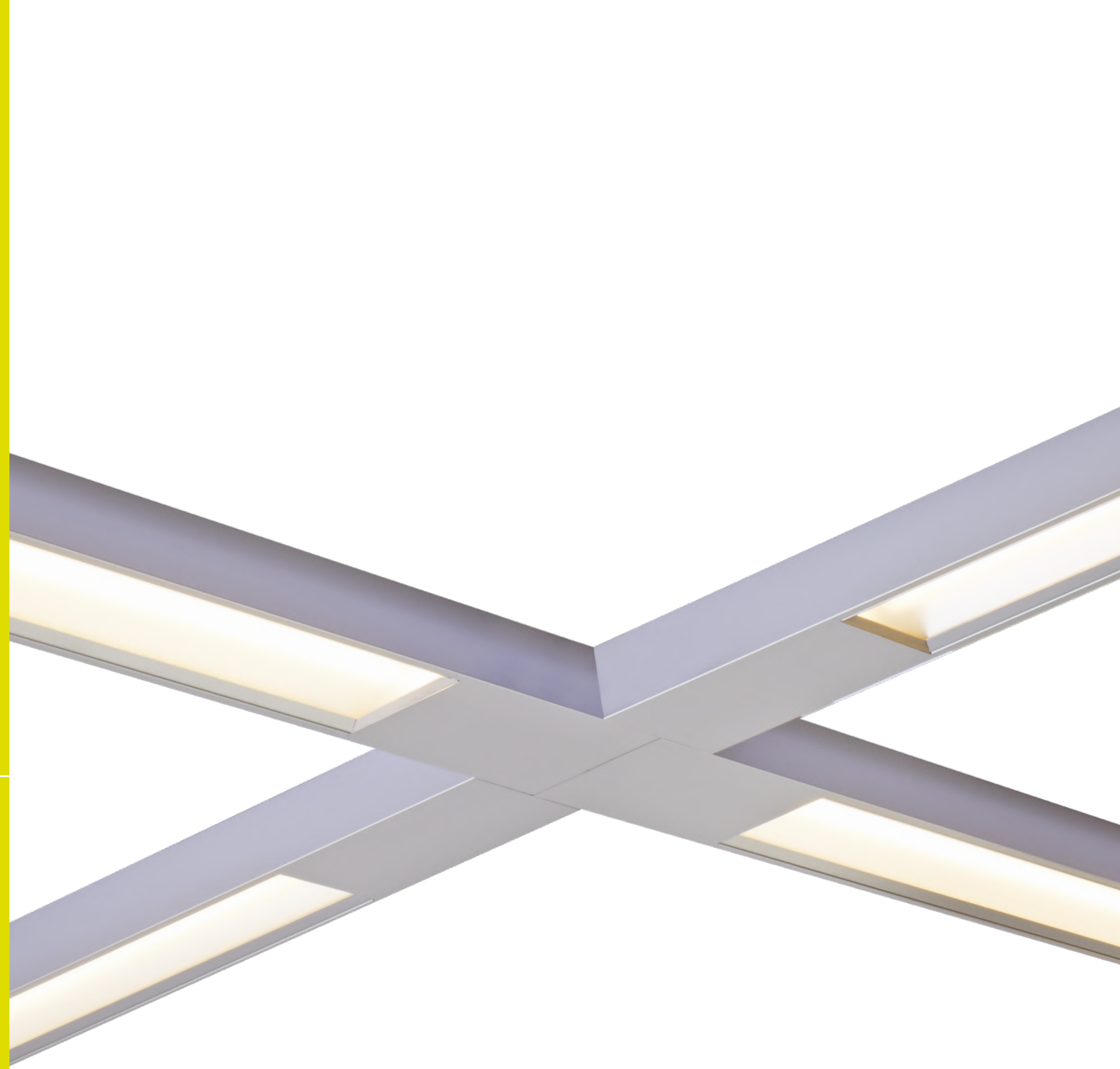


LA BOUCHERIE

LE BOUCHER

POISSONNIER

GRIDDED SYSTEMS





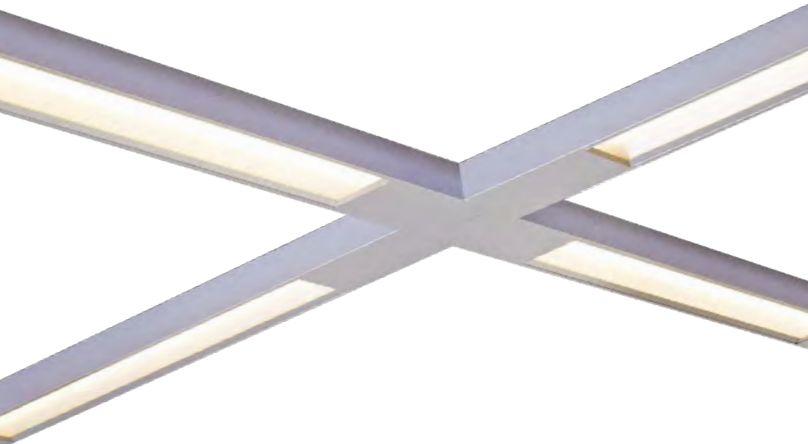
Pôle
Fidélité

TAPIS ANTIDERAPANT
CAILLEBOTIS

ITEM CODE 121075A

ITEM 121075A

■ RS 3936 LED



Colour(s)



Light distribution



GRIDDED SYSTEMS ■ LED

- Lighting system for LINEAR LED module, maximum 16 800 lumens
- MacAdam Ellipse : 3 SDCM
- Available in 3 000 K et 4 000 K
- 50 000 hours lamp life (L80B20)
- Luminous efficiency of system up to 175,7 lm/W
- Housing made of prelacquered steel
- Optical made of polymethyl methacrylate (PMMA)
- The end caps of the optical system are made of injected polycarbonate
- Endcap and screen suspension bracket and junction plate available in accessories
- Static heat sink
- Sliding suspension bracket, interaxial maximum 2 000 mm
- **Weight** : Approx. 8 kg for standard width
- **Standards housing lengths** : 1 815 mm, 2 000 mm
- **Driver(s)** : Fixed, Dimmable DALI
- **Option(s)** : Lighting sensor and-or movement detection (CEL), Carrying element for 3-circuit tracks (3A)

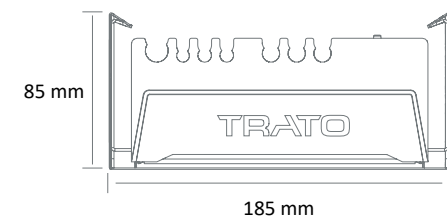
Driver(s)



Standards

Class I | IP 20 (luminaire) / IP 40 (optical) | 650°

Dimensions



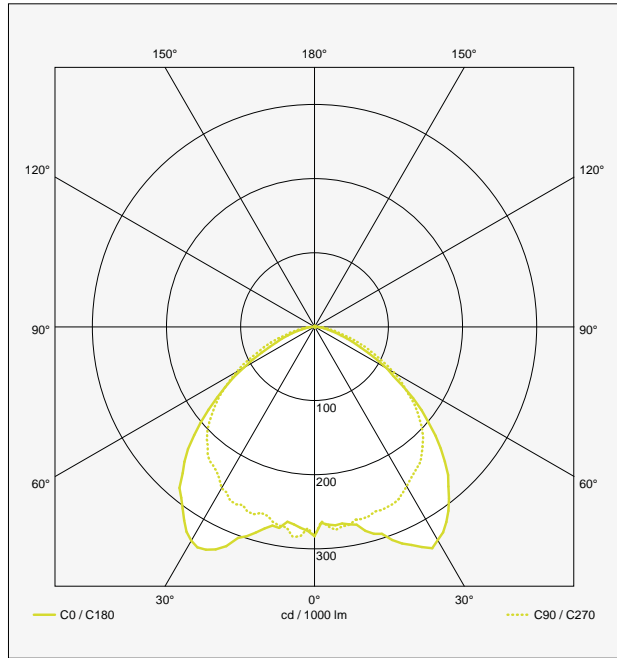
■ RS 3936 LED

■ PERFORMANCES

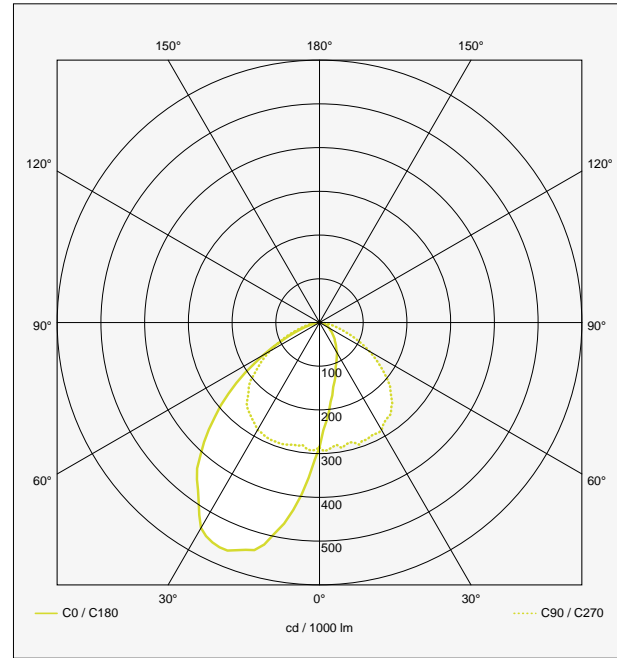
ITEM	LENGTH (MM)	TYPE	NB OF MODULE(S)	CONSUMPTION	LUMINOUS FLUX	SYSTEM EFFICIENCY	COLOUR TEMPERATURE	CRI	EFFICIENCY ENERGY CLASS
RS 3936 LED M 4600-830	1 750	A / I / C / J	2	30 W	4800 lumens	160 lm/W	3000 K	80	C
RS 3936 LED M 4600-840	1 750	A / I / C / J	2	30 W	5040 lumens	168 lm/W	4000 K	80	C
RS 3936 LED MM 4600-830	3 500	D / K / F / L	4	60 W	9600 lumens	160 lm/W	3000 K	80	C
RS 3936 LED MM 4600-840	3 500	D / K / F / L	4	60 W	10080 lumens	168 lm/W	4000 K	80	C
RS 3936 LED M 7000-830	1 750	A / I / C / J	2	41,3 W	6860 lumens	166,5 lm/W	3000 K	80	C
RS 3936 LED M 7000-840	1 750	A / I / C / J	2	41,3 W	7200 lumens	174,5 lm/W	4000 K	80	C
RS 3936 LED MM 7000-830	3 500	D / K / F / L	4	82,6 W	13720 lumens	166,5 lm/W	3000 K	80	C
RS 3936 LED MM 7000-840	3 500	D / K / F / L	4	82,6 W	14400 lumens	174,5 lm/W	4000 K	80	C
RS 3936 LED M 8000-830	1 750	A / I / C / J	2	48,6 W	8000 lumens	164,6 lm/W	3000 K	80	C
RS 3936 LED M 8000-840	1 750	A / I / C / J	2	48,6 W	8400 lumens	172,8 lm/W	4000 K	80	C
RS 3936 LED MM 8000-830	3 500	D / K / F / L	4	97,2 W	16000 lumens	164,6 lm/W	3000 K	80	C
RS 3936 LED MM 8000-840	3 500	D / K / F / L	4	97,2 W	16800 lumens	172,8 lm/W	4000 K	80	C
RS 3936 LED M 4600 HE-830	1 750	A / I / C / J	2	26,7 W	4480 lumens	167,5 lm/W	3000 K	80	C
RS 3936 LED M 4600 HE-840	1 750	A / I / C / J	2	26,7 W	4700 lumens	175,7 lm/W	4000 K	80	C
RS 3936 LED MM 4600 HE-830	3 500	D / K / F / L	4	53,5 W	8960 lumens	167,5 lm/W	3000 K	80	C
RS 3936 LED MM 4600 HE-840	3 500	D / K / F / L	4	53,5 W	9400 lumens	175,7 lm/W	4000 K	80	C
RS 3936 LED M 7000 HO-830	1 750	A / I / C / J	2	44,6 W	6960 lumens	156 lm/W	3000 K	80	C
RS 3936 LED M 7000 HO-840	1 750	A / I / C / J	2	44,6 W	7300 lumens	163,7 lm/W	4000 K	80	C
RS 3936 LED MM 7000 HO-830	3 500	D / K / F / L	4	89,2 W	13920 lumens	156 lm/W	3000 K	80	C
RS 3936 LED MM 7000 HO-840	3 500	D / K / F / L	4	89,2 W	14600 lumens	163,7 lm/W	4000 K	80	C

RS 3936 LED - LIGHT DISTRIBUTION

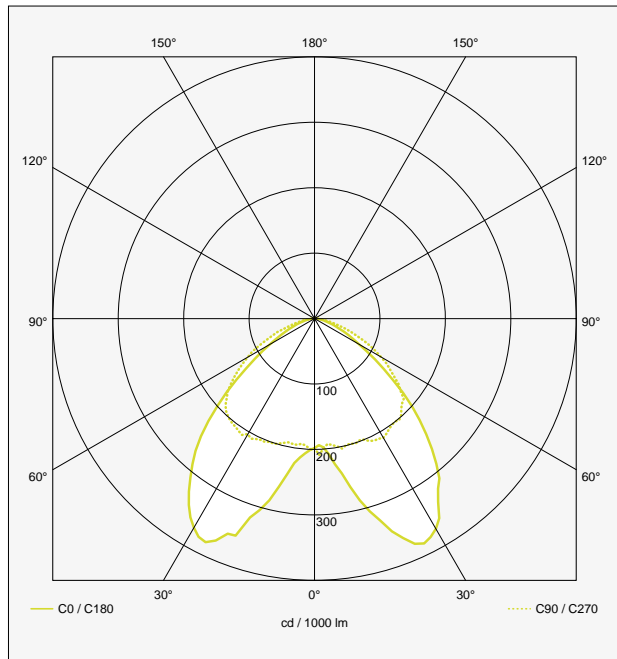
Symmetrical:
LOR: 95 %



Asymmetrical:
LOR: 91 %



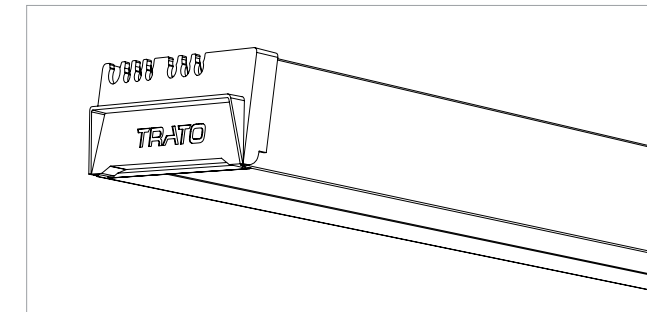
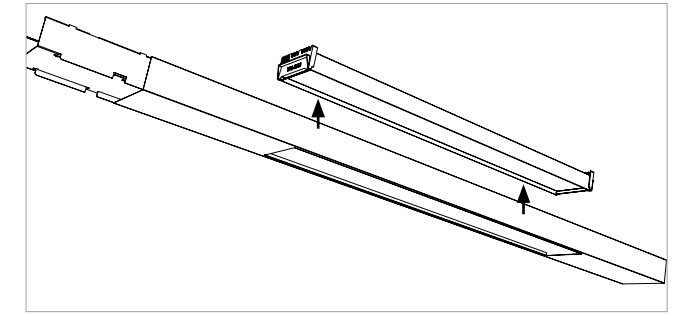
Double asymmetrical:
LOR: 95 %



RS 3936 LED - BENEFITS

1 POSSIBLE MAINTENANCE

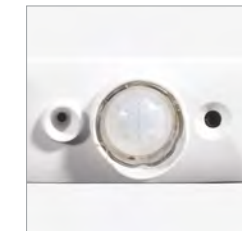
Optical system removable from above, for easy maintenance.
Interchangeable optical systems depending on evolution lighting needs.



2 PROTECTION OF OPTICAL SYSTEM

Optical system designed to be IP 40 dust-proof for a sustainable protection.
Injected plastic endcap for better waterproofness.

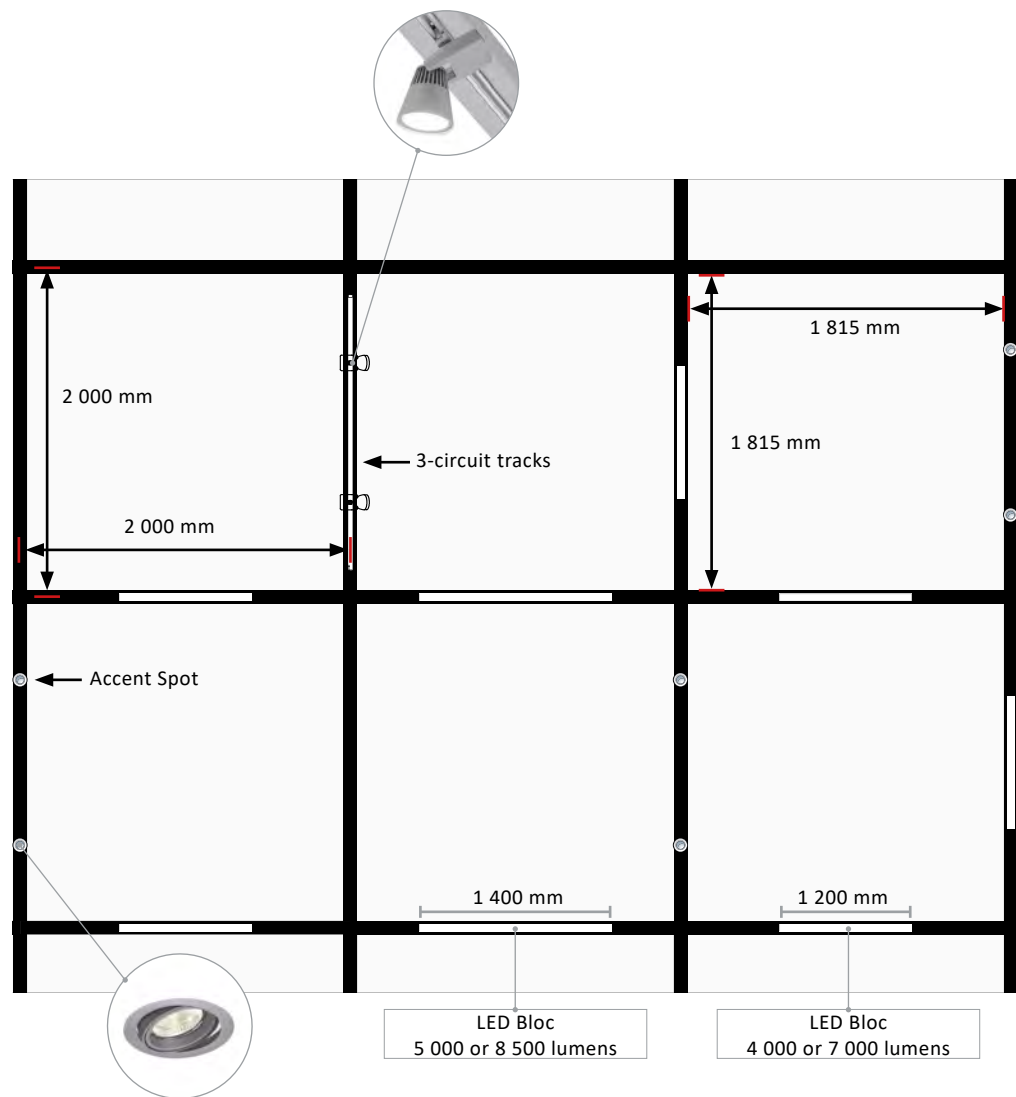
Option(s)



Accessories



EXAMPLE OF CONFIGURATION - RS 3936 LED



RS 3632 LED



Colour(s)



Light distribution



PERFORMANCES

ITEM	NB OF MODULE(S)	CONSUMPTION	LUMINOUS FLUX	SYSTEM EFFICIENCY	COLOUR TEMPERATURE	CRI	EFFICIENCY ENERGY CLASS
RS 3632 LED M 4400-830	2	28,4W	4441 lumens	156,1 lm/W	3000 K	80	C
RS 3632 LED M 4400-840	2	28,4W	4670 lumens	164,2 lm/W	4000 K	80	C
RS 3632 LED MM 4400-830	4	56,8W	8882 lumens	156,7 lm/W	3000 K	80	C
RS 3632 LED MM 4400-840	4	56,8W	9340 lumens	164,2 lm/W	4000 K	80	C
RS 3632 LED M 6600-830	3	40,3W	6661 lumens	165,3 lm/W	3000 K	80	C
RS 3632 LED M 6600-840	3	40,3W	7004 lumens	173,8 lm/W	4000 K	80	C
RS 3632 LED M 7000-840	2	44W	7128 lumens	162 lm/W	3000 K	80	C
RS 3632 LED M 7000-840	2	44W	7495 lumens	170,3 lm/W	4000 K	80	C
RS 3632 LED MM 7000-830	4	88W	14256 lumens	162 lm/W	3000 K	80	C
RS 3632 LED MM 7000-840	4	88W	14990 lumens	170,3 lm/W	4000 K	80	C
RS 3632 LED M 8000-830	2	51,8W	8251 lumens	159,3 lm/W	3000 K	80	C
RS 3632 LED M 8000-840	2	47,9W	8080 lumens	168,7 lm/W	4000 K	80	C
RS 3632 LED MM 8000-830	4	103,6W	16502 lumens	159,3 lm/W	3000 K	80	C
RS 3632 LED MM 8000-840	4	95,8W	16160 lumens	168,7 lm/W	4000 K	80	C
RS 3632 LED M 8500-830	3	49,5W	8347 lumens	168,6 lm/W	3000 K	80	C
RS 3632 LED M 8500-840	3	49,5W	8777 lumens	177,3 lm/W	4000 K	80	C
RS 3632 LED M 10500-830	3	64,6W	10692 lumens	165,5 lm/W	3000 K	80	C
RS 3632 LED M 10500-840	3	64,6W	11244 lumens	174 lm/W	4000 K	80	C

GRIDDED SYSTEMS - LED

- System lighting for LINEAR LED module, maximum 16 502 lumens
- MacAdam Ellipse : 3 SDCM
- Available in 3 000 K et 4 000 K
- 50 000 hours lamp life (L80B20)
- Luminous efficiency of system up to 177,3 lm/W
- Housing made of prelacquered steel
- High output of the optical, coextruded with prism, grooved, made of polymethyl methacrylate (PMMA)
- The end caps of the optical system are made of injected polycarbonate
- Endcap, screen suspension bracket and junction plate available in accessories
- Static heat sink with an aluminium profile
- Dust-proof optical compartment (IP 60)
- Easier maintenance thanks to extractable optical system without tools
- Sliding suspension bracket, interaxial maximum 3 000 mm
- Mechanical junction without tools
- Weight** : Approx. 3,46 kg for standard width
- Standards housing lengths** : 2 880 mm (carried), 3 000 mm (carrier)
- Driver(s)** : Fixed, 1-10 V Driver (1-10V), Dimmable DALI
- Option(s)** : Lighting sensor and-or movement detection (CEL), Carrying element for 3-circuit tracks (3A), Steel white louvre (GLB)

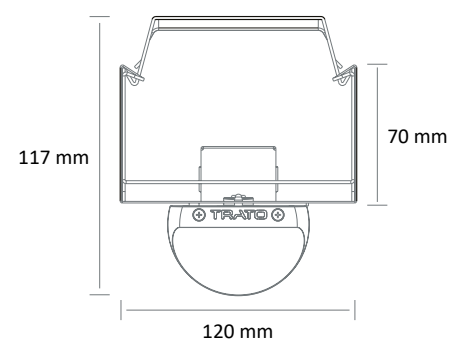
Driver(s)



Standards

Class I | IP 20 (luminaire) / IP 60 (optical) | 650°

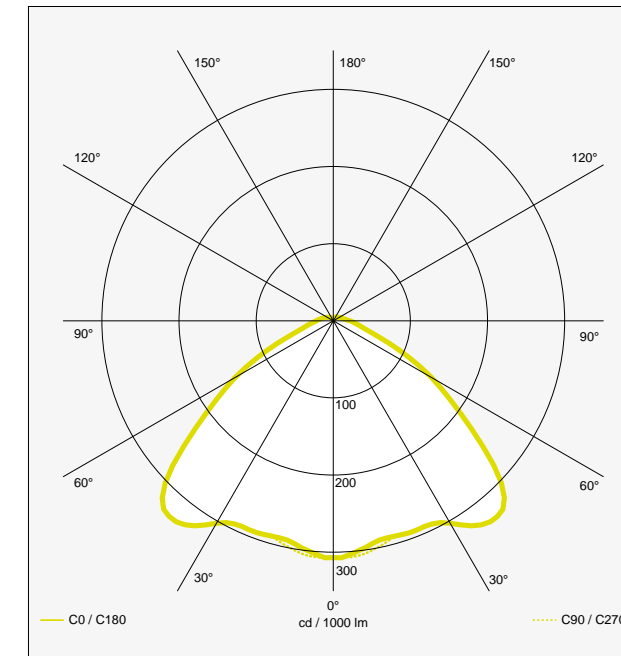
Dimensions



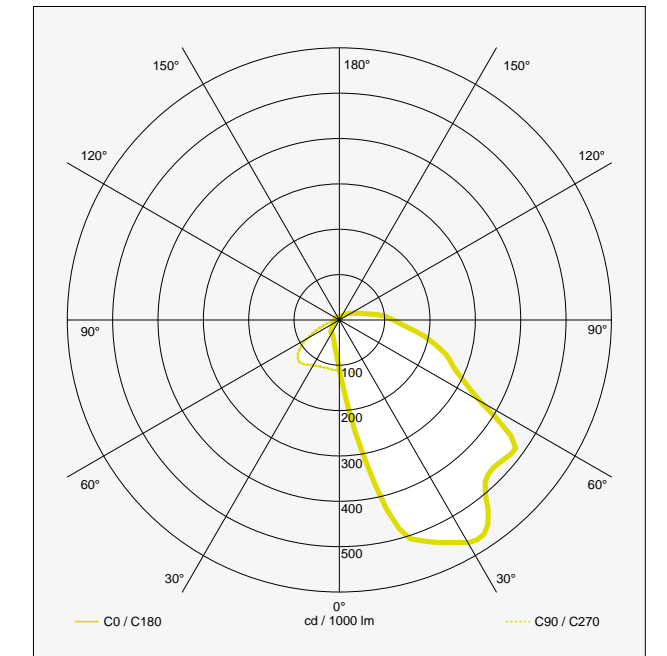
RS 3632 LED

RS 3632 LED - LIGHT DISTRIBUTION

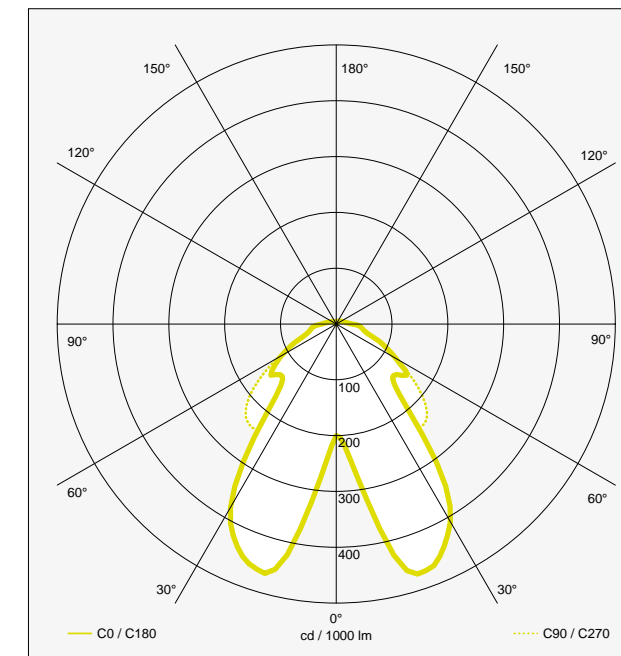
Symmetrical :
LOR: 95 %



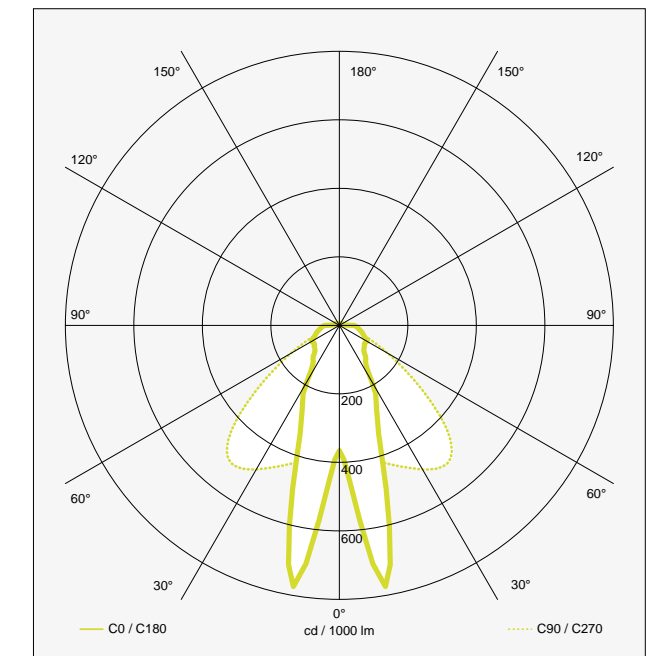
Asymmetrical :
LOR: 91 %



Double asymmetrical :
LOR: 95 %



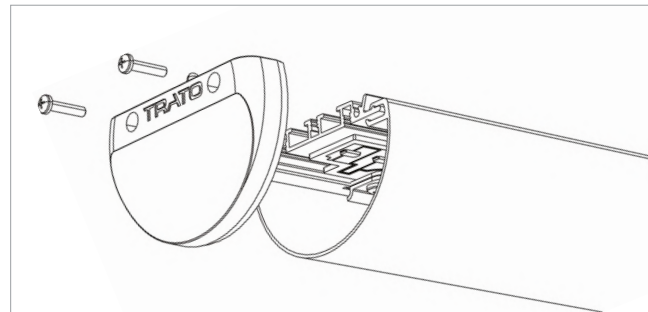
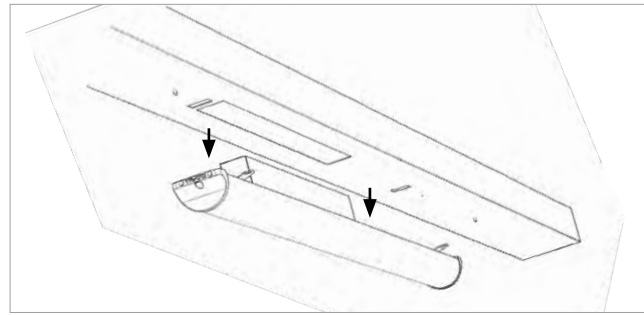
Intensive :
LOR: 91 %



RS 3632 LED - BENEFITS

1 POSSIBLE MAINTENANCE

Optical system removable with the driver for easy maintenance

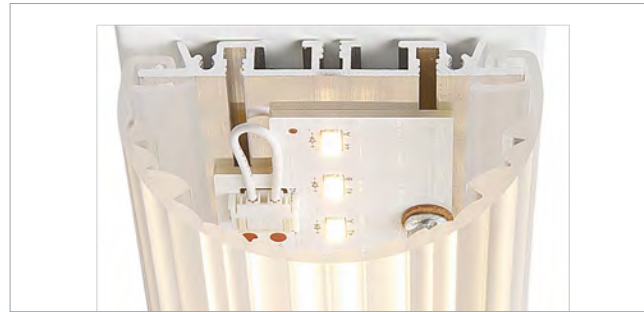


2 PROTECTION OF OPTICAL SYSTEM

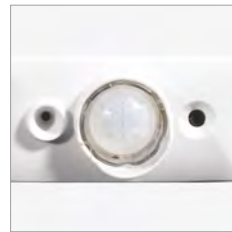
Optical system designed to be IP60 dust-proof for a sustainable efficacy

3 DURABILITY

Passive cooling made of aluminium profile for maximal longevity



Option(s)



cel



3A



GLB

Accessories

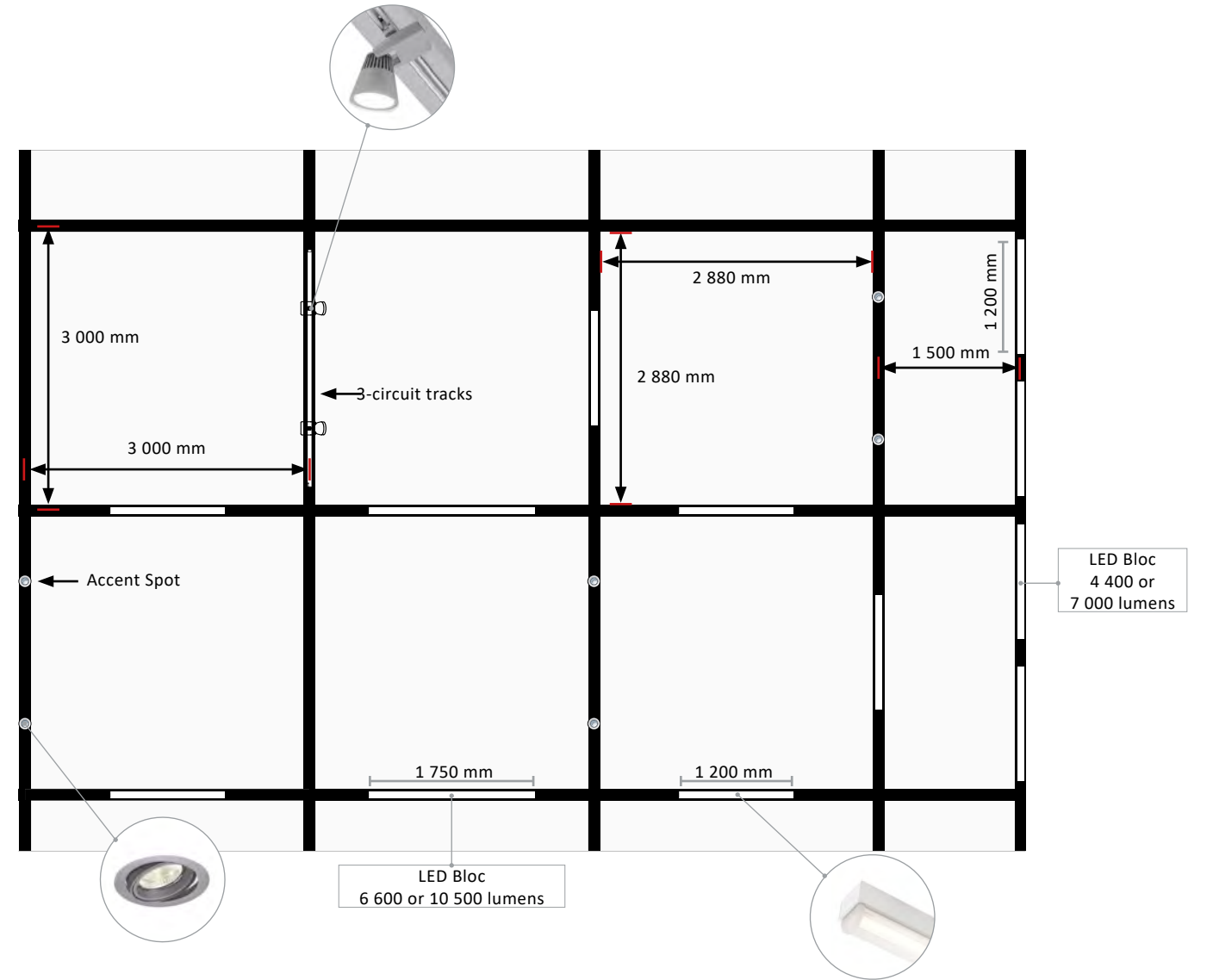


Line endcap



Suspension bracket

EXAMPLE OF CONFIGURATION



ORIENTABLE AND ADJUSTABLE





EO 5140-A LED



ORIENTABLE AND ADJUSTABLE . LED

- Recessed orientable for LED SPOT module, maximum 4 046 lumens
- CRI of 90
- MacAdam Ellipse : 2 SDCM
- Available in 2 700 K, 3 000 K, 3 500 K, 4 000K and 5 000 K
- 50 000 hours lamp life (L80B10)
- Luminous efficiency of system up to 163 lm/W
- Springs in pressure for easier installation
- Ring made of die-cast aluminium
- Aluminium reflective optics
- **Weight** : Approx. 1 kg
- **Drivers(s)** : Fixed, Dimmable DALI, Casambi, Connect
- **Option(s)** : Fast connector (CORD)
- Photobiological risk group 1

Driver(s)



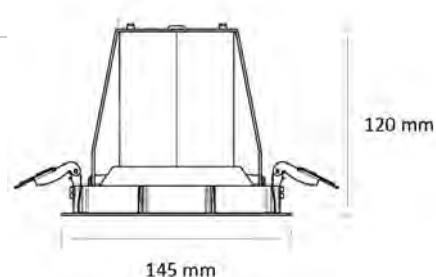
Standards

Class II | IP 20 | 650° | RG1

Beam(s)



Dimensions



EO 5140-A LED ICOB



ORIENTABLE AND ADJUSTABLE . LED

- Recessed orientable for LED SPOT module, maximum 2 784 lumens
- CRI of 90
- MacAdam Ellipse : 2 SDCM
- Available in 3 000 K, 3 500 K and 4 000 K
- 50 000 hours lamp life (L80B10)
- Luminous efficiency of system up to 144,3 lm/W
- Installation ease by pressure springs
- Ring made of die-cast aluminium
- Interchangeable ICOB module
- Aluminium reflective optics
- **Weight** : Approx. 0,9 kg
- **Drivers(s)** : Fixed, Dimmable DALI, Casambi, Connect
- **Option(s)** : Fast connector (CORD)
- Photobiological risk group 1

Driver(s)



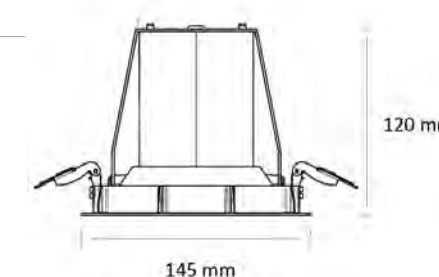
Standards

Class II | IP 20 | 650° | RG1

Beam(s)

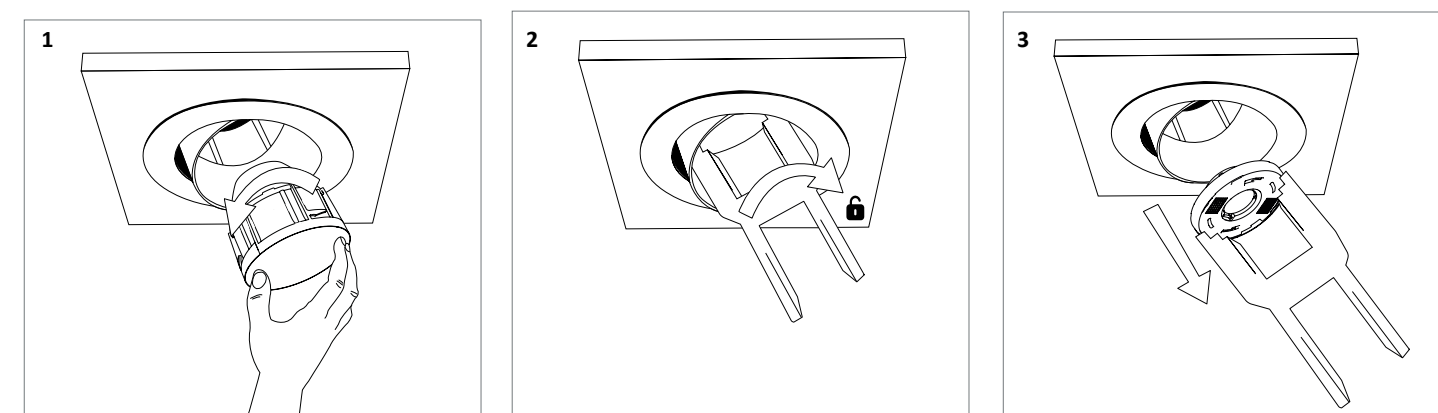


Dimensions



A product equipped with ICOB technology is provided with a mechanism enable to change the module on the GH36d-4 socket by a simple quarter-turn rotation.

ICOB version



Performance of specialized lighting modules

ITEM	SECTION	POWER	CONSUMPTION	LUMINOUS FLUX	SYSTEM EFFICIENCY	COLOUR TEMPERATURE	CRI	EFFICIENCY ENERGY CLASS
EO 5140-A LED 3500-927	Bakery	24 W	27,9 W	3480 lumens	124,7 lm/W	2700 K	90	-
EO 5140-A LED 2300-930	Butchery	23,7 W	26,3 W	2297 lumens	87,2 lm/W	3000 K	90	-
EO 5140-A LED 3000-950	Fishmonger's	16,8 W	18,5 W	3015 lumens	163 lm/W	5000 K	90	E
EO 5140-A LED 4000-950	Fishmonger's	24,1 W	26,5 W	4046 lumens	152,7 lm/W	5000 K	90	E

High efficiency performance of the components (HE) CRI 90 with R9>80

ITEM	POWER	CONSUMPTION	LUMINOUS FLUX	SYSTEM EFFICIENCY	COLOUR TEMPERATURE	CRI	EFFICIENCY ENERGY CLASS
EO 5140-A LED HE 3000-930	16,7 W	19,4 W	2956 lumens	152,2 lm/W	3000 K	90	E
EO 5140-A LED HE 3000-935	16,7 W	19,4 W	2937 lumens	151,2 lm/W	3500 K	90	E
EO 5140-A LED HE 3000-940	16,7 W	19,4 W	2961 lumens	152,5 lm/W	4000 K	90	E
EO 5140-A LED HE 4000-930	24 W	27,9 W	3924 lumens	140,6 lm/W	3000 K	90	E
EO 5140-A LED HE 4000-935	24 W	27,9 W	3899 lumens	139,7 lm/W	3000 K	90	E
EO 5140-A LED HE 4000-940	24 W	27,9 W	3930 lumens	140,8 lm/W	4000 K	90	E

High efficiency performance of the components (HE) CRI 90 with R9>80

ITEM	POWER	CONSUMPTION	LUMINOUS FLUX	SYSTEM EFFICIENCY	COLOUR TEMPERATURE	CRI	EFFICIENCY ENERGY CLASS
EO 5140-A LED ICOB HE 2800-930	16,6 W	19,3 W	2771 lumens	143,6 lm/W	3000 K	90	E
EO 5140-A LED ICOB HE 2800-935	16,6 W	19,3 W	2752 lumens	142,6 lm/W	3500 K	90	E
EO 5140-A LED ICOB HE 3000-940	16,6 W	19,3 W	2784 lumens	144,3 lm/W	4000 K	90	E

EO 5140-1A2A3A LED

ORIENTABLE AND ADJUSTABLE . LED

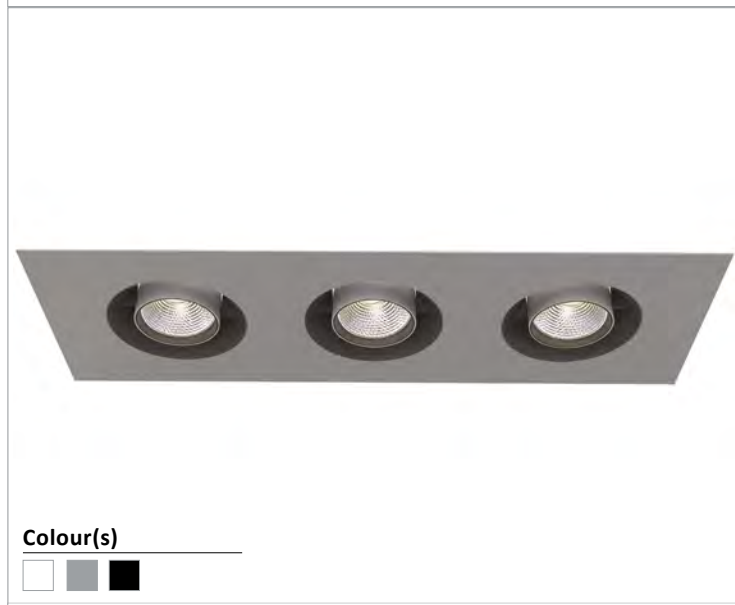
ORIENTABLE AND ADJUSTABLE . LED



EO 5140-1A LED

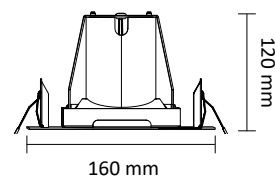
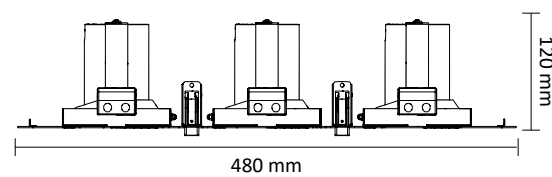
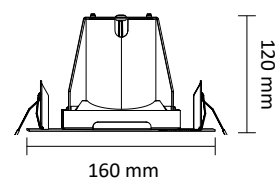
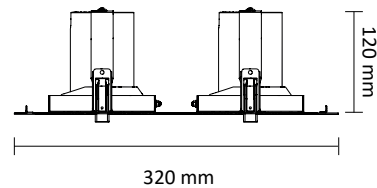
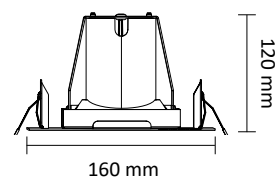
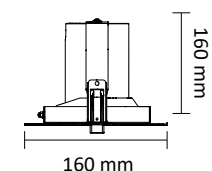


EO 5140-2A LED



EO 5140-3A LED

Colour(s)



- Recessed orientable for LED SPOT module, maximum 3x3 930 lumens
- CRI of 90
- MacAdam Ellipse : 2 SDCM
- Available in 2 700 K, 3 000 K, 3 500 K and 4 000 K
- 50 000 hours lamp life (L80B10)
- Luminous efficiency of system up to 152,5 lm/W
- Springs in pressure for easier installation
- Ring made of die-cast aluminium
- Aluminium reflective optics
- **Weight** : Approx. 1,3 kg
- **Driver(s)** : Fixed, Dimmable DALI, Casambi, Connect
- **Option(s)** : Fast connector (CORD)
- Photobiological risk group 1

Driver(s)



Standards

Class II | IP 20 | 650° | RG1

Beam(s)



Option(s)



White ring
White interior



Black ring
White interior



Grey ring
White interior



White ring
Black interior



Black ring
Black interior



Grey ring
Black interior

EO 5140-1A2A3A LED

Performance of specialized lighting modules

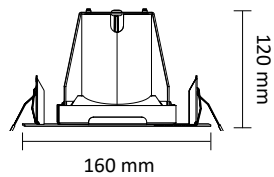
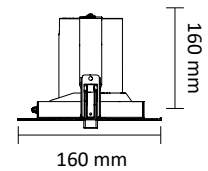
ITEM	SECTION	POWER	CONSUMPTION	LUMINOUS FLUX	SYSTEM EFFICIENCY	COLOUR TEMPERATURE	CRI	EFFICIENCY ENERGY CLASS
EO 5140-1A LED 3500-927	Bakery	24 W	27,9 W	3480 lumens	124,7 lm/W	2700 K	90	-
EO 5140-1A LED 2300-930	Butchery	23,7 W	26,3 W	2297 lumens	87,2 lm/W	3000 K	90	-
EO 5140-2A LED 3500-927	Bakery	2x24 W	2x27,9 W	2x3480 lumens	124,7 lm/W	2700 K	90	-
EO 5140-2A LED 2300-930	Butchery	2x23,7 W	2x26,3 W	2x2297 lumens	87,2 lm/W	3000 K	90	-
EO 5140-3A LED 3500-927	Bakery	3x24 W	3x27,9 W	3x3480 lumens	124,7 lm/W	2700 K	90	-
EO 5140-3A LED 2300-930	Butchery	3x23,7 W	3x26,3 W	3x2297 lumens	87,2 lm/W	3000 K	90	-

High efficiency performance of the components (HE) CRI 90 with R9>80

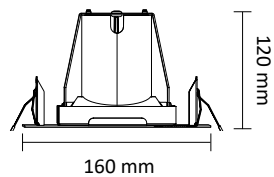
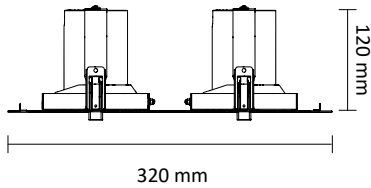
ITEM	POWER	CONSUMPTION	LUMINOUS FLUX	SYSTEM EFFICIENCY	COLOURS TEMPERATURE	CRI	EFFICIENCY ENERGY CLASS
EO 5140-1A LED HE 3000-930	16,7 W	19,4 W	2956 lumens	152,2 lm/W	3000 K	90	E
EO 5140-1A LED HE 3000-935	16,7 W	19,4 W	2937 lumens	151,2 lm/W	3500 K	90	E
EO 5140-1A LED HE 3000-940	16,7 W	19,4 W	2961 lumens	152,5 lm/W	4000 K	90	E
EO 5140-1A LED HE 4000-930	24 W	27,9 W	3924 lumens	140,6 lm/W	3000 K	90	E
EO 5140-1A LED HE 4000-935	24 W	27,9 W	3899 lumens	139,7 lm/W	3000 K	90	E
EO 5140-1A LED HE 4000-940	24 W	27,9 W	3930 lumens	140,8 lm/W	4000 K	90	E
EO 5140-2A LED HE 3000-930	2x16,7 W	2x19,4 W	2x2956 lumens	152,2 lm/W	3000 K	90	E
EO 5140-2A LED HE 3000-935	2x16,7 W	2x19,4 W	2x2937 lumens	151,2 lm/W	3500 K	90	E
EO 5140-2A LED HE 3000-940	2x16,7 W	2x19,4 W	2x2961 lumens	152,5 lm/W	4000 K	90	E
EO 5140-2A LED HE 4000-930	2x24 W	2x27,9 W	2x3924 lumens	140,6 lm/W	3000 K	90	E
EO 5140-2A LED HE 4000-935	2x24 W	2x27,9 W	2x3899 lumens	139,7 lm/W	3000 K	90	E
EO 5140-2A LED HE 4000-940	2x24 W	2x27,9 W	2x3930 lumens	140,8 lm/W	4000 K	90	E
EO 5140-3A LED HE 3000-930	3x16,7 W	3x19,4 W	3x2956 lumens	152,2 lm/W	3000 K	90	E
EO 5140-3A LED HE 3000-935	3x16,7 W	3x19,4 W	3x2937 lumens	151,2 lm/W	3500 K	90	E
EO 5140-3A LED HE 3000-940	3x16,7 W	3x19,4 W	3x2961 lumens	152,5 lm/W	4000 K	90	E
EO 5140-3A LED HE 4000-930	3x24 W	3x27,9 W	3x3924 lumens	140,6 lm/W	3000 K	90	E
EO 5140-3A LED HE 4000-935	3x24 W	3x27,9 W	3x3899 lumens	139,7 lm/W	3000 K	90	E
EO 5140-3A LED HE 4000-940	3x24 W	3x27,9 W	3x3930 lumens	140,8 lm/W	4000 K	90	E

EO 5140-1A2A3A ICOB LED

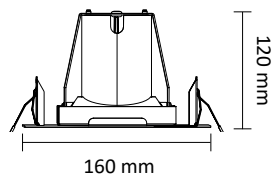
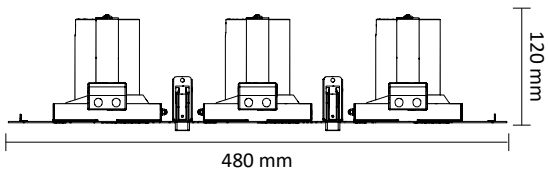
ORIENTABLE AND ADJUSTABLE LED



EO 5140-1A LED



EO 5140-2A LED



EO 5140-3A LED



Colour(s)



EO 5140-1A2A3A ICOB LED

- Recessed orientable for LED SPOT module, maximum 3x2 784 lumens
- CRI of 90
- MacAdam Ellipse : 2 SDCM
- Available in 3 000 K, 3 500 K and 4 000 K
- 50 000 hours lamp life (L80B10)
- Luminous efficiency of system up to 144,3 lm/W
- Springs in pressure for easier installation
- Ring made of die-cast aluminium
- Aluminium reflective optics
- **Weight** : Approx. 1,3 kg
- **Driver(s)** : Fixed, Dimmable DALI, Casambi, Connect
- **Option(s)** : Fast connector (CORD)
- Photobiological risk group 1

Driver(s)



Standards

Class II | IP 20 | 650° | RG1

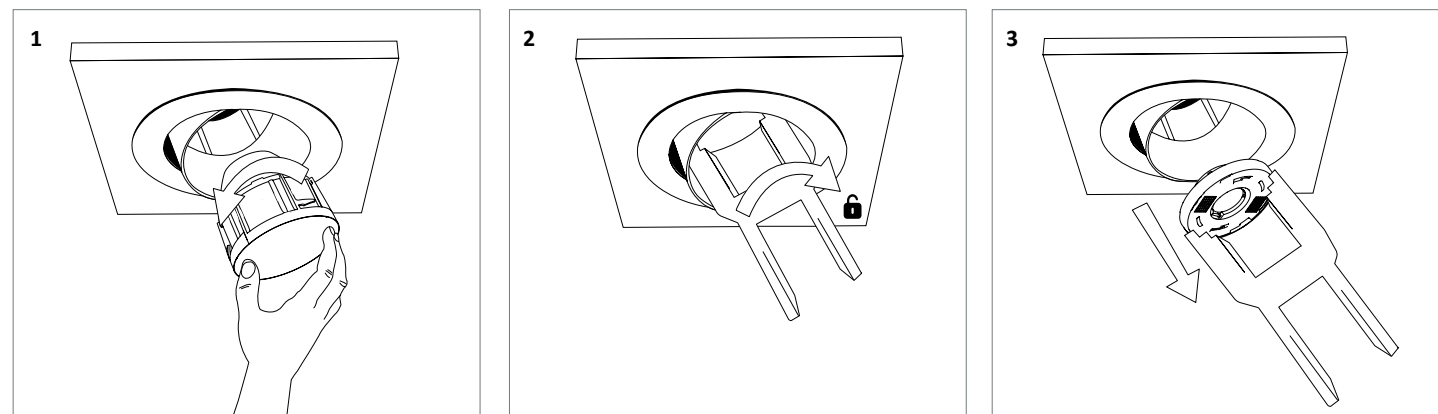
Beam(s)



Option(s)



ICOB version



High efficiency performance of the components (HE) CRI 90 with R9>80

ITEM	POWER	CONSUMPTION	LUMINOUS FLUX	SYSTEM EFFICIENCY	COLOURS TEMPERATURE	CRI	EFFICIENCY ENERGY CLASS
EO 5140-1A LED ICOB HE 2800-930	16,6 W	19,3 W	2771 lumens	143,6 lm/W	3000 K	90	E
EO 5140-1A LED ICOB HE 2800-935	16,6 W	19,3 W	2752 lumens	142,6 lm/W	3500 K	90	E
EO 5140-1A LED ICOB HE 3000-940	16,6 W	19,3 W	2784 lumens	144,3 lm/W	4000 K	90	E
EO 5140-2A LED ICOB HE 2800-930	2x16,6 W	2x19,3 W	2x2771 lumens	143,6 lm/W	3000 K	90	E
EO 5140-2A LED ICOB HE 2800-935	2x16,6 W	2x19,3 W	2x2752 lumens	142,6 lm/W	3500 K	90	E
EO 5140-2A LED ICOB HE 3000-940	2x16,6 W	2x19,3 W	2x2784 lumens	144,3 lm/W	4000 K	90	E
EO 5140-3A LED ICOB HE 2800-930	3x16,6 W	3x19,3 W	3x2771 lumens	143,6 lm/W	3000 K	90	E
EO 5140-3A LED ICOB HE 2800-935	3x16,6 W	3x19,3 W	3x2752 lumens	142,6 lm/W	3500 K	90	E
EO 5140-3A LED ICOB HE 3000-940	3x16,6 W	3x19,3 W	3x2784 lumens	144,3 lm/W	4000 K	90	E

EO 5140-A LED ROD



Colour(s)



Ø68 mm



ORIENTABLE AND ADJUSTABLE LED

- Recessed orientable for LED SPOT module, maximum 4 046 lumens
- CRI of 90
- MacAdam Ellipse : 2 SDCM
- Available in 2 700 K, 3 000 K, 3 500 K, 4 000 and 5 000 K
- 50 000 hours lamp life (L80B10)
- Luminous efficiency of system up to 163 lm/W
- Springs in pressure for easier installation
- Ring made of die-cast aluminium
- Aluminium reflective optics
- **Weight** : Approx. 1,3 kg
- **Driver(s)** : Fixed, Dimmable DALI, Casambi, Connect
- **Option(s)** : Fast connector (CORD)
- Photobiological risk group 1
- A range of product CEE eligible

Driver(s)



Standards

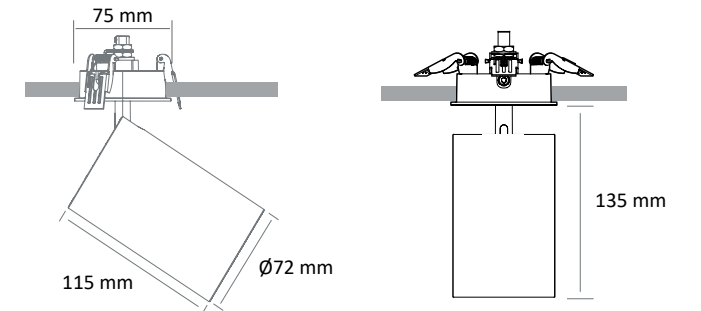
Class II | IP 20 | 650° | RG1

Beam(s)



Dimensions

Required plenum height : 150 mm



Performance of specialized lighting modules

ITEM	SECTION	POWER	CONSUMPTION	LUMINOUS FLUX	SYSTEM EFFICIENCY	COLOUR TEMPERATURE	CRI	EFFICIENCY ENERGY CLASS
EO 5140-A LED ROD 3600-927	Bakery	24,1 W	26,8 W	3567 lumens	133,2 lm/W	2700 K	90	-
EO 5140-A LED ROD 2700-930	Butchery	29,4 W	32,7 W	2733 lumens	83,7 lm/W	3000 K	90	-
EO 5140-A LED ROD 3000-950	Fishmonger's	16,8 W	18,5 W	3015 lumens	163 lm/W	5000 K	90	E
EO 5140-A LED ROD 4000-950	Fishmonger's	24,1 W	26,5 W	4046 lumens	152,7 lm/W	5000 K	90	E

High efficiency performance of the components (HE) CRI 90 with R9>80

ITEM	POWER	CONSUMPTION	LUMINOUS FLUX	SYSTEM EFFICIENCY	COLOUR TEMPERATURE	CRI	EFFICIENCY ENERGY CLASS
EO 5140-A LED ROD HE 3000-930	16,8 W	18,7 W	3010 lumens	161,3 lm/W	3000 K	90	E
EO 5140-A LED ROD HE 3000-935	16,8 W	18,7 W	2991 lumens	160,2 lm/W	3500 K	90	E
EO 5140-A LED ROD HE 3000-940	16,8 W	18,7 W	3015 lumens	161,5 lm/W	4000 K	90	E
EO 5140-A LED ROD HE 4000-930	24,1 W	26,8 W	4016 lumens	150 lm/W	3000 K	90	E
EO 5140-A LED ROD HE 4000-935	24,1 W	26,8 W	3991 lumens	149 lm/W	3500 K	90	E
EO 5140-A LED ROD HE 4000-940	24,1 W	26,8 W	4023 lumens	150,2 lm/W	4000 K	90	E

EO 5140-A LED ROD ICOB



Colour(s)



Ø68 mm



ORIENTABLE AND ADJUSTABLE LED

- Recessed orientable for LED SPOT module, maximum 2 784 lumens
- CRI of 90
- MacAdam Ellipse : 2 SDCM
- Available in 3 000 K, 3 500 K and 4 000 K
- Available in 50 000 heures (L80B10)
- Luminous efficiency of system up to 144,3 lm/W
- Installation ease by pressure springs
- Ring made of die-cast aluminium
- Interchangeable ICOB module
- Aluminium reflective optics
- **Weight** : Approx. 1,3 kg
- **Drivers(s)** : Fixe, Dimmable DALI, Casambi, Connect
- **Option(s)** : Fast connector (CORD)
- Photobiological risk group 1

Driver(s)



Standards

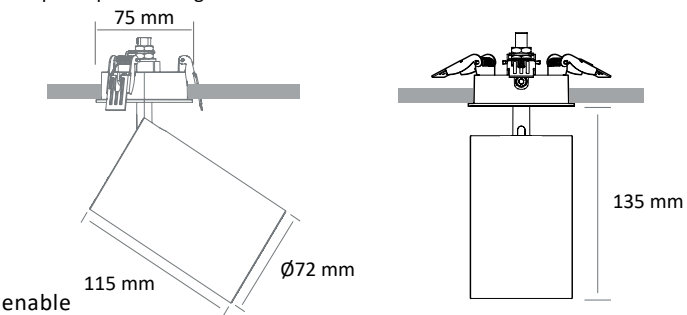
Class II | IP 20 | 650° | RG1

Beam(s)



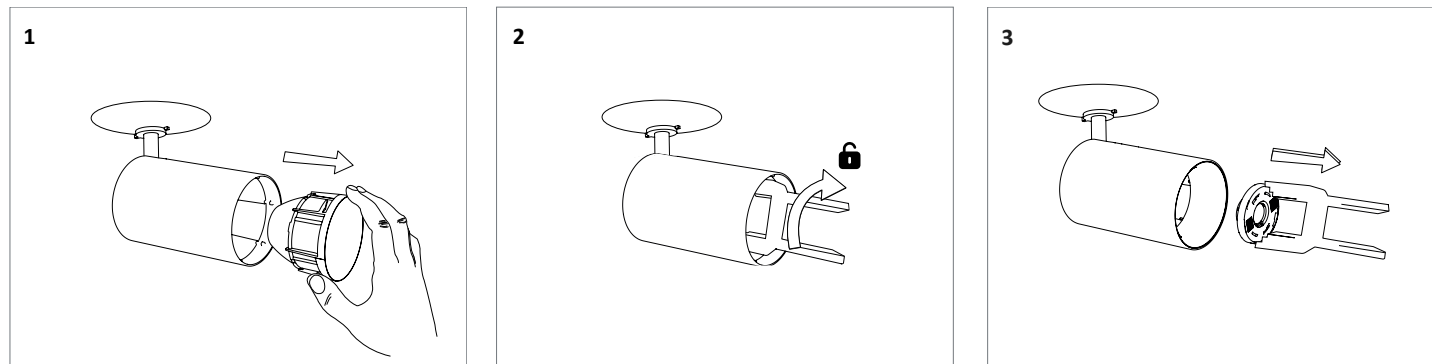
Dimensions

Required plenum height : 150 mm



A product equipped with ICOB technology is provided with a mechanism enable to change the module on the GH36d-4 socket by a simple quarter-turn rotation.

ICOB version



High efficiency performance of the components (HE) CRI 90 with R9>80

ITEM	POWER	CONSUMPTION	LUMINOUS FLUX	SYSTEM EFFICIENCY	COLOUR TEMPERATURE	CRI	EFFICIENCY ENERGY CLASS
EO 5140-A LED ROD ICOB HE 2800-930	16,7 W	18,6 W	2829 lumens	152,5 lm/W	3000 K	90	E
EO 5140-A LED ROD ICOB HE 2800-935	16,7 W	18,6 W	2811 lumens	151,5 lm/W	3500 K	90	E
EO 5140-A LED ROD ICOB HE 2800-940	16,7 W	18,6 W	2834 lumens	152,7 lm/W	4000 K	90	E
EO 5140-A LED ROD ICOB HE 3800-930	23,9 W	26,6 W	3745 lumens	141 lm/W	3000 K	90	E
EO 5140-A LED ROD ICOB HE 3800-935	23,9 W	26,6 W	3721 lumens	140,1 lm/W	3500 K	90	E
EO 5140-A LED ROD ICOB HE 3800-940	23,9 W	26,6 W	3751 lumens	141,3 lm/W	4000 K	90	E

EO 5140-B LED



ORIENTABLE AND ADJUSTABLE . LED

- Recessed orientable for LED SPOT module, maximum 3 930 lumens
- CRI of 80 or 90
- MacAdam Ellipse : 2 SDCM
- Available in 2 700 K, 3 000 K, 3 500 K and 4 000 K
- 50 000 hours lamp life (L80B10)
- Luminous efficiency of system up to 152,5 lm/W
- Springs in pressure for easier installation
- Ring made of die-cast aluminium
- Polycarbonate lens optics
- **Weight** : Approx. 0.9 kg
- **Drivers(s)** : Fixed, Dimmable DALI, Casambi, Connect
- **Option(s)** : Fast connector (CORD)
- Photobiological risk group 1

Driver(s)



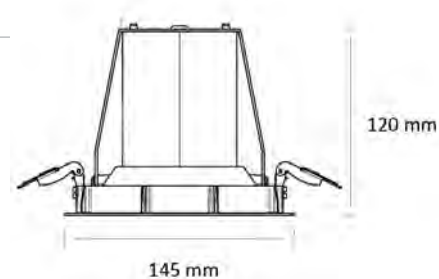
Standards

Class II | IP 20 | 650° | RG1

Beam(s)



Dimensions



Performance of specialized lighting modules

ITEM	SECTION	POWER	CONSUMPTION	LUMINOUS FLUX	SYSTEM EFFICIENCY	COLOUR TEMPERATURE	CRI	EFFICIENCY ENERGY CLASS
EO 5140-B LED 3500-927	Bakery	24 W	27,9 W	3480 lumens	124,7 lm/W	2700 K	90	-
EO 5140-B LED 2300-930	Butchery	23,7 W	26,3 W	2297 lumens	87,2 lm/W	3000 K	90	-

High efficiency performance of the components (HE) CRI 90 with R9>80

ITEM	POWER	CONSUMPTION	LUMINOUS FLUX	SYSTEM EFFICIENCY	COLOUR TEMPERATURE	CRI	EFFICIENCY ENERGY CLASS
EO 5140-B LED HE 3000-930	16,7 W	19,4 W	2956 lumens	152,2 lm/W	3000 K	90	E
EO 5140-B LED HE 3000-935	16,7 W	19,4 W	2937 lumens	151,2 lm/W	3500 K	90	E
EO 5140-B LED HE 3000-940	16,7 W	19,4 W	2961 lumens	152,5 lm/W	4000 K	90	E
EO 5140-B LED HE 4000-930	24 W	27,9 W	3924 lumens	140,6 lm/W	3000 K	90	E
EO 5140-B LED HE 4000-935	24 W	27,9 W	3899 lumens	139,7 lm/W	3000 K	90	E
EO 5140-B LED HE 4000-940	24 W	27,9 W	3930 lumens	140,8 lm/W	4000 K	90	E

EO 5140-B LED ICOB



ORIENTABLE AND ADJUSTABLE . LED

- Recessed orientable for LED SPOT module, maximum 2 784 lumens
- CRI of 90
- MacAdam Ellipse : 2 SDCM
- Available in 3 000 K, 3 500 K et 4 000 K
- 50 000 hours lamp life (L80B10)
- Luminous efficiency of system up to 144,3 lm/W
- Springs in pressure for easier installation
- Ring made of die-cast aluminium
- Interchangeable ICOB module
- Polycarbonate lens optics
- **Weight** : Approx. 0,9 kg
- **Drivers(s)** : Fixed, Dimmable DALI, Casambi, Connect
- **Option(s)** : Fast connector (CORD)
- Photobiological risk group 1

Driver(s)



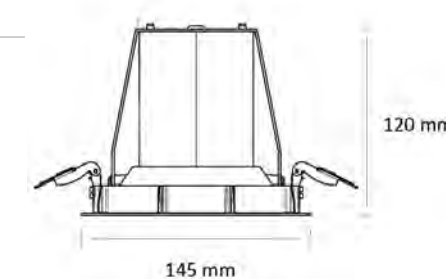
Standards

Class II | IP 20 | 650° | RG1

Beam(s)

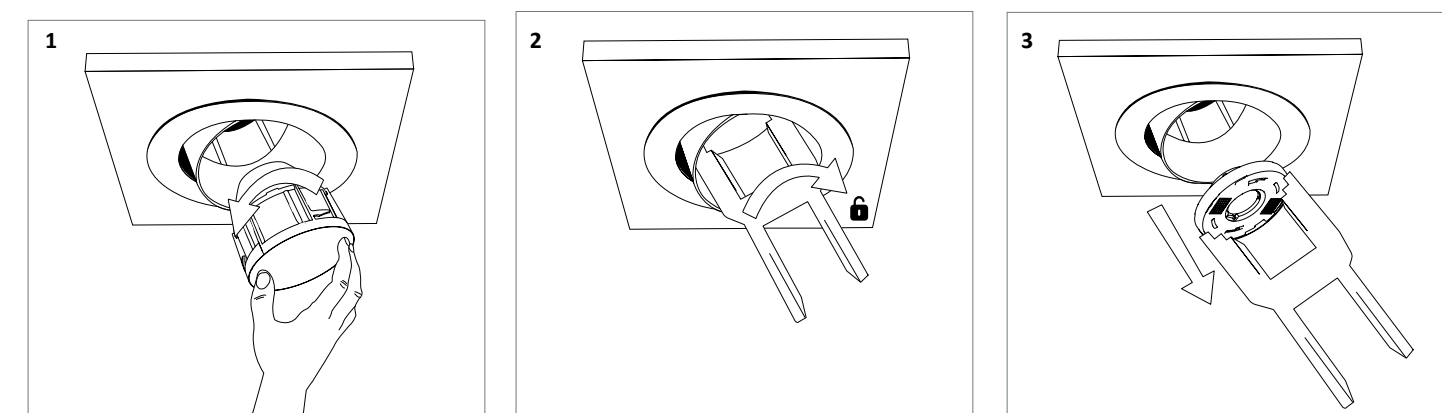


Dimensions



A product equipped with ICOB technology is provided with a mechanism enable to change the module on the GH36d-4 socket by a simple quarter-turn rotation.

ICOB version



High efficiency performance of the components (HE) CRI 90 with R9>80

ITEM	POWER	CONSUMPTION	LUMINOUS FLUX	SYSTEM EFFICIENCY	COLOUR TEMPERATURE	CRI	EFFICIENCY ENERGY CLASS
EO 5140-B LED ICOB HE 2800-930	16,6 W	19,3 W	2771 lumens	143,6 lm/W	3000 K	90	E
EO 5140-B LED ICOB HE 2800-935	16,6 W	19,3 W	2752 lumens	142,6 lm/W	3500 K	90	E
EO 5140-B LED ICOB HE 3000-940	16,6 W	19,3 W	2784 lumens	144,3 lm/W	4000 K	90	E

EO 5140-1B2B3B LED

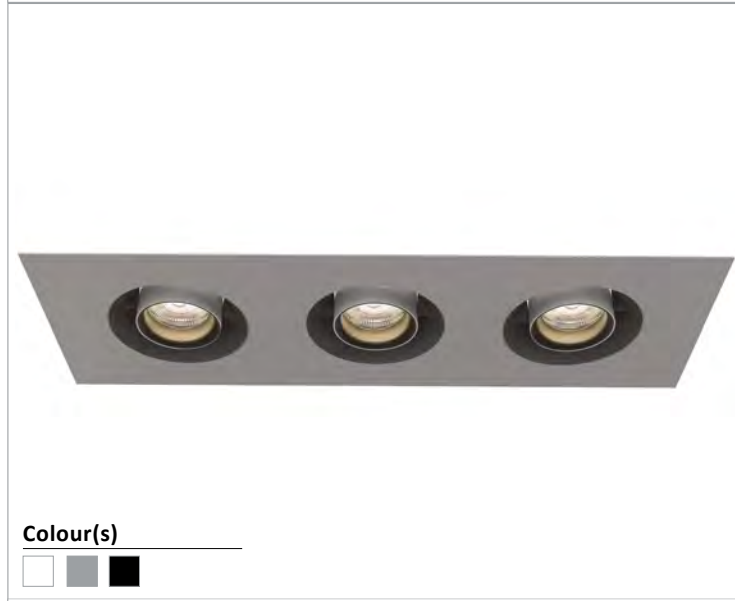
ORIENTABLE AND ADJUSTABLE LED



EO 5140-1B LED

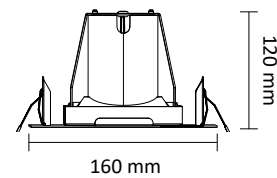
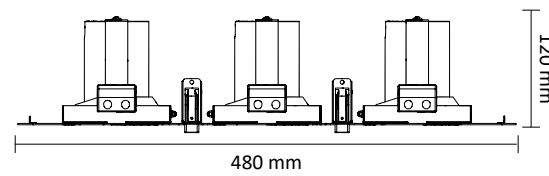
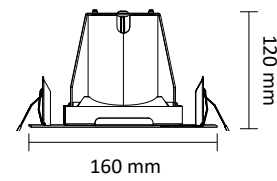
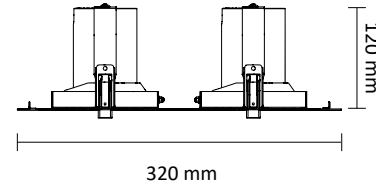
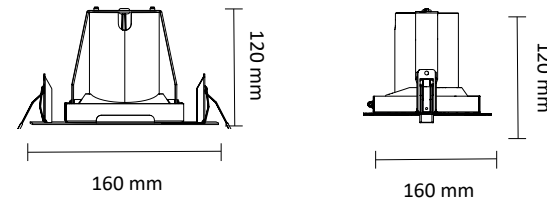


EO 5140-2B LED



EO 5140-3B LED

Colour(s)



EO 5140-1B2B3B LED

- Recessed orientable for LED SPOT module, maximum 3x3 930 lumens
- CRI of 90
- MacAdam Ellipse : 2 SDCM
- Available in 2 700 K, 3 000 K, 3 500 K and 4 000 K
- 50 000 hours lamp life (L80B10)
- Luminous efficiency of system up to 152,5 lm/W
- Springs in pressure for easier installation
- Ring made of die-cast aluminium
- Polycarbonate lens optics
- **Weight** : Approx. 1,3 kg
- **Driver(s)** : Fixed, Dimmable DALI, Casambi, Connect
- **Option(s)** : Fast connector (CORD)
- Photobiological risk group 1

Driver(s)



Standards

Class II | IP 20 | 650° | RG1

Beam(s)



Option(s)



White ring
White interior



Black ring
White interior



Grey ring
White interior



White ring
Black interior



Black ring
Black interior



Grey ring
Black interior

EO 5140-1B2B3B LED

Performance of specialized lighting modules

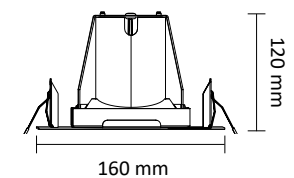
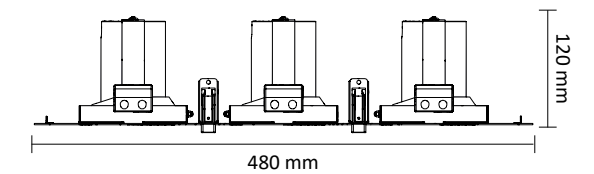
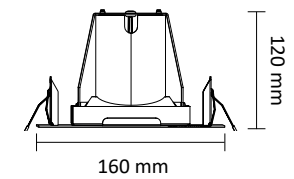
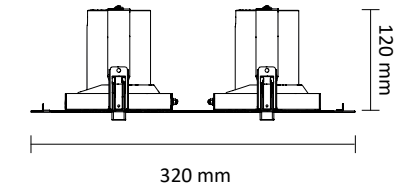
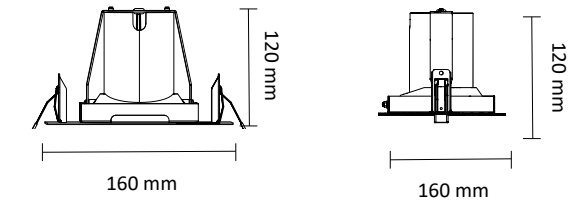
ITEM	SECTION	POWER	CONSUMPTION	LUMINOUS FLUX	SYSTEM EFFICIENCY	COLOURS TEMPERATURE	CRI	EFFICIENCY ENERGY CLASS
EO 5140-1B LED 3500-927	Bakery	24 W	27,9 W	3480 lumens	124,7 lm/W	2700 K	90	-
EO 5140-1B LED 2300-930	Butchery	23,7 W	26,3 W	2297 lumens	87,2 lm/W	3000 K	90	-
EO 5140-2B LED 3500-927	Bakery	2x24 W	2x27,9 W	2x3480 lumens	124,7 lm/W	2700 K	90	-
EO 5140-2B LED 2300-930	Butchery	2x23,7 W	2x26,3 W	2x2297 lumens	87,2 lm/W	3000 K	90	-
EO 5140-3B LED 3500-927	Bakery	3x24 W	3x27,9 W	3x3480 lumens	124,7 lm/W	2700 K	90	-
EO 5140-3B LED 2300-930	Butchery	3x23,7 W	3x26,3 W	3x2297 lumens	87,2 lm/W	3000 K	90	-

High efficiency performance of the components (HE) CRI 90 with R9>80

ITEM	POWER	CONSUMPTION	LUMINOUS FLUX	SYSTEM EFFICIENCY	COLOURS TEMPERATURE	CRI	EFFICIENCY ENERGY CLASS
EO 5140-1B LED HE 3000-930	16,7 W	19,4 W	2956 lumens	152,2 lm/W	3000 K	90	E
EO 5140-1B LED HE 3000-935	16,7 W	19,4 W	2937 lumens	151,2 lm/W	3500 K	90	E
EO 5140-1B LED HE 3000-940	16,7 W	19,4 W	2961 lumens	152,5 lm/W	4000 K	90	E
EO 5140-1B LED HE 4000-930	24 W	27,9 W	3924 lumens	140,6 lm/W	3000 K	90	E
EO 5140-1B LED HE 4000-935	24 W	27,9 W	3899 lumens	139,7 lm/W	3000 K	90	E
EO 5140-1B LED HE 4000-940	24 W	27,9 W	3930 lumens	140,8 lm/W	4000 K	90	E
EO 5140-2B LED HE 3000-930	2x16,7 W	2x19,4 W	2x2956 lumens	152,2 lm/W	3000 K	90	E
EO 5140-2B LED HE 3000-935	2x16,7 W	2x19,4 W	2x2937 lumens	151,2 lm/W	3500 K	90	E
EO 5140-2B LED HE 3000-940	2x16,7 W	2x19,4 W	2x2961 lumens	152,5 lm/W	4000 K	90	E
EO 5140-2B LED HE 4000-930	2x24 W	2x27,9 W	2x3924 lumens	140,6 lm/W	3000 K	90	E
EO 5140-2B LED HE 4000-935	2x24 W	2x27,9 W	2x3899 lumens	139,7 lm/W	3000 K	90	E
EO 5140-2B LED HE 4000-940	2x24 W	2x27,9 W	2x3930 lumens	140,8 lm/W	4000 K	90	E
EO 5140-3B LED HE 3000-930	3x16,7 W	3x19,4 W	3x2956 lumens	152,2 lm/W	3000 K	90	E
EO 5140-3B LED HE 3000-935	3x16,7 W	3x19,4 W	3x2937 lumens	151,2 lm/W	3500 K	90	E
EO 5140-3B LED HE 3000-940	3x16,7 W	3x19,4 W	3x2961 lumens	152,5 lm/W	4000 K	90	E
EO 5140-3B LED HE 4000-930	3x24 W	3x27,9 W	3x3924 lumens	140,6 lm/W	3000 K	90	E
EO 5140-3B LED HE 4000-935	3x24 W	3x27,9 W	3x3899 lumens	139,7 lm/W	3000 K	90	E
EO 5140-3B LED HE 4000-940	3x24 W	3x27,9 W	3x3930 lumens	140,8 lm/W	4000 K	90	E

EO 5140-1B2B3B ICOB LED

ORIENTABLE AND ADJUSTABLE LED



EO 5140-1B2B3B ICOB LED

ORIENTABLE AND ADJUSTABLE . LED

- Recessed orientable for LED SPOT module, maximum 3x2 784 lumens
- CRI of 90
- MacAdam Ellipse : 2 SDCM
- Available in 3 000 K, 3 500 K and 4 000 K
- 50 000 hours lamp life (L80B10)
- Luminous efficiency of system up to 144,3 lm/W
- Springs in pressure for easier installation
- Ring made of die-cast aluminium
- Polycarbonate lens optics
- **Weight** : Approx. 1,3 kg
- **Driver(s)** : Fixed, Dimmable DALI, Casambi, Connect
- **Option(s)** : Fast connector (CORD)
- Photobiological risk group 1

Driver(s)



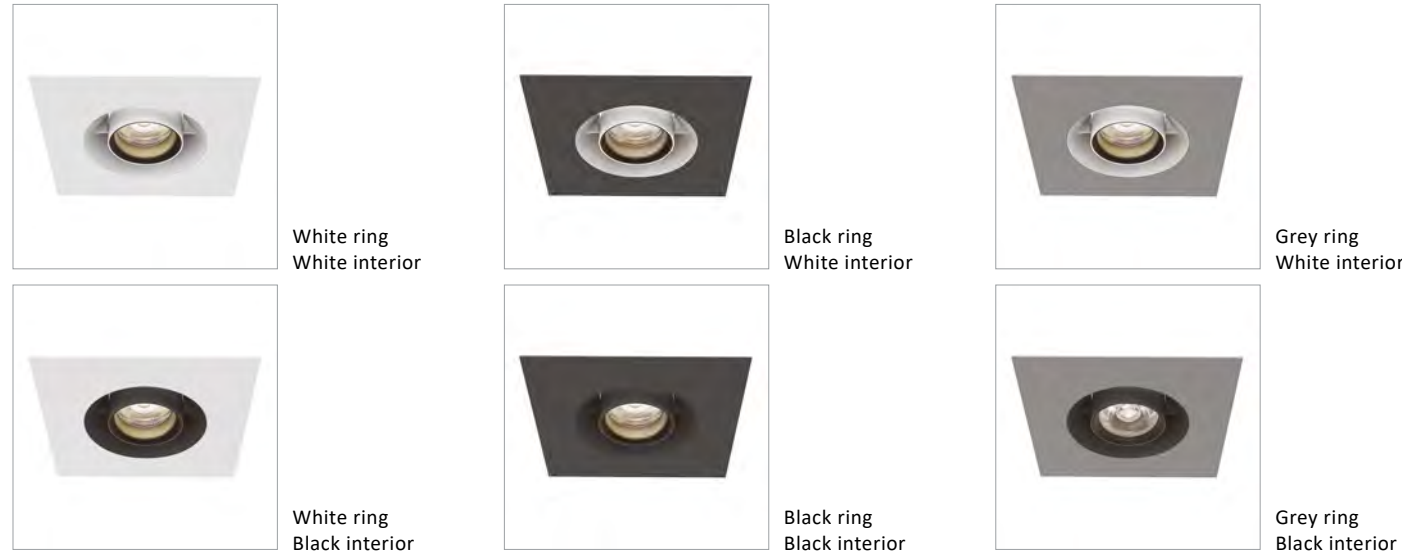
Standards

Class II | IP 20 | 650° | RG1

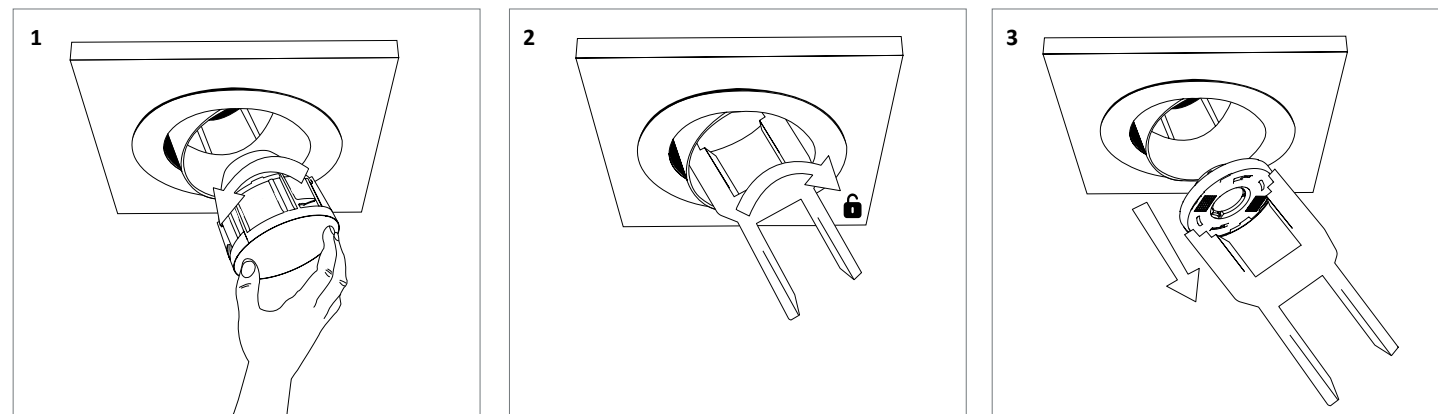
Beam(s)



Option(s)



ICOB version



High efficiency performance of the components (HE) CRI 90 with R9>80

ITEM	POWER	CONSUMPTION	LUMINOUS FLUX	SYSTEM EFFICIENCY	COLOURS TEMPERATURE	CRI	EFFICIENCY ENERGY CLASS
EO 5140-1B LED ICOB HE 2800-930	16,6 W	19,3 W	2771 lumens	143,6 lm/W	3000 K	90	E
EO 5140-1B LED ICOB HE 2800-935	16,6 W	19,3 W	2752 lumens	142,6 lm/W	3500 K	90	E
EO 5140-1B LED ICOB HE 3000-940	16,6 W	19,3 W	2784 lumens	144,3 lm/W	4000 K	90	E
EO 5140-2B LED ICOB HE 2800-930	2x16,6 W	2x19,3 W	2x2771 lumens	143,6 lm/W	3000 K	90	E
EO 5140-2B LED ICOB HE 2800-935	2x16,6 W	2x19,3 W	2x2752 lumens	142,6 lm/W	3500 K	90	E
EO 5140-2B LED ICOB HE 3000-940	2x16,6 W	2x19,3 W	2x2784 lumens	144,3 lm/W	4000 K	90	E
EO 5140-3B LED ICOB HE 2800-930	3x16,6 W	3x19,3 W	3x2771 lumens	143,6 lm/W	3000 K	90	E
EO 5140-3B LED ICOB HE 2800-935	3x16,6 W	3x19,3 W	3x2752 lumens	142,6 lm/W	3500 K	90	E
EO 5140-3B LED ICOB HE 3000-940	3x16,6 W	3x19,3 W	3x2784 lumens	144,3 lm/W	4000 K	90	E

EO 5140-B LED ROD

ORIENTABLE AND ADJUSTABLE . LED

- Recessed orientable for LED SPOT module, maximum 4 023 lumens
- CRI of 90
- MacAdam Ellipse: 2 SDCM
- Available in 2 700 K, 3 000 K, 3 500 K and 4 000 K
- 50 000 hours lamp life (L80B10)
- Luminous efficiency of system up to 161,5 lm/W
- Springs in pressure for easier installation
- Ring made of die-cast aluminium
- Polycarbonate lens optics
- **Weight** : Approx. 1,3 kg
- **Driver(s)** : Fixed, Dimmable DALI, Casambi, Connect
- **Option(s)** : Fast connector (CORD)
- Photobiological risk group 1



Colour(s)



Ø68 mm



Driver(s)



Standards

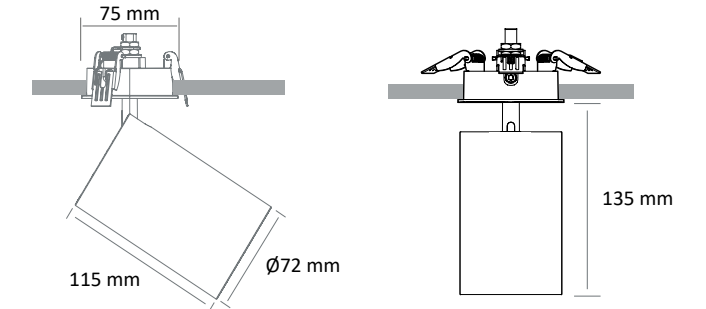
Class II | IP 20 | 650° | RG1

Beam(s)



Dimensions

Required plenum height : 150 mm



Performance of specialized lighting modules

ITEM	SECTION	POWER	CONSUMPTION	LUMINOUS FLUX	SYSTEM EFFICIENCY	COLOUR TEMPERATURE	CRI	EFFICIENCY ENERGY CLASS
EO 5140-B LED ROD 3600-927	Bakery	24,1 W	26,8 W	3567 lumens	133,2 lm/W	2700 K	90	-
EO 5140-B LED ROD 2700-930	Butchery	29,4 W	32,7 W	2733 lumens	83,7 lm/W	3000 K	90	-

High efficiency performance of the components (HE) CRI 90 with R9>80

ITEM	POWER	CONSUMPTION	LUMINOUS FLUX	SYSTEM EFFICIENCY	COLOUR TEMPERATURE	CRI	EFFICIENCY ENERGY CLASS
EO 5140-B LED ROD HE 3000-930	16,8 W	18,7 W	3010 lumens	161,3 lm/W	3000 K	90	E
EO 5140-B LED ROD HE 3000-935	16,8 W	18,7 W	2991 lumens	160,2 lm/W	3500 K	90	E
EO 5140-B LED ROD HE 3000-940	16,8 W	18,7 W	3015 lumens	161,5 lm/W	4000 K	90	E
EO 5140-B LED ROD HE 4000-930	24,1 W	26,8 W	4016 lumens	150 lm/W	3000 K	90	E
EO 5140-B LED ROD HE 4000-935	24,1 W	26,8 W	3991 lumens	149 lm/W	3500 K	90	E
EO 5140-B LED ROD HE 4000-940	24,1 W	26,8 W	4023 lumens	150,2 lm/W	4000 K	90	E

EO 5140-B LED ROD ICOB



ORIENTABLE AND ADJUSTABLE . LED

- Recessed orientable for LED SPOT module, maximum 3 751 lumens
- CRI of 90
- MacAdam Ellipse : 2 SDCM
- Available in 3 000 K, 3 500 K and 4 000 K
- 50 000 hours lamp life (L80B10)
- Luminous efficiency of system up to 152,7 lm/W
- Springs in pressure for easier installation
- Ring made of die-cast aluminium
- Interchangeable ICOB module
- Polycarbonate lens optics
- **Weight** : Approx. 1,3 kg
- **Driver(s)** : Fixed, Dimmable DALI, Casambi, Connect
- **Option(s)** : Fast connector (CORD)
- Photobiological risk group 1

Driver(s)



Standards

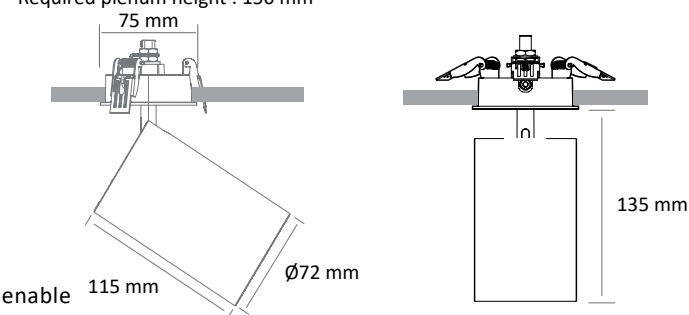
Class II | IP 20 | 650° | RG1

Beam(s)



Dimensions

Required plenum height : 150 mm



Colour(s)

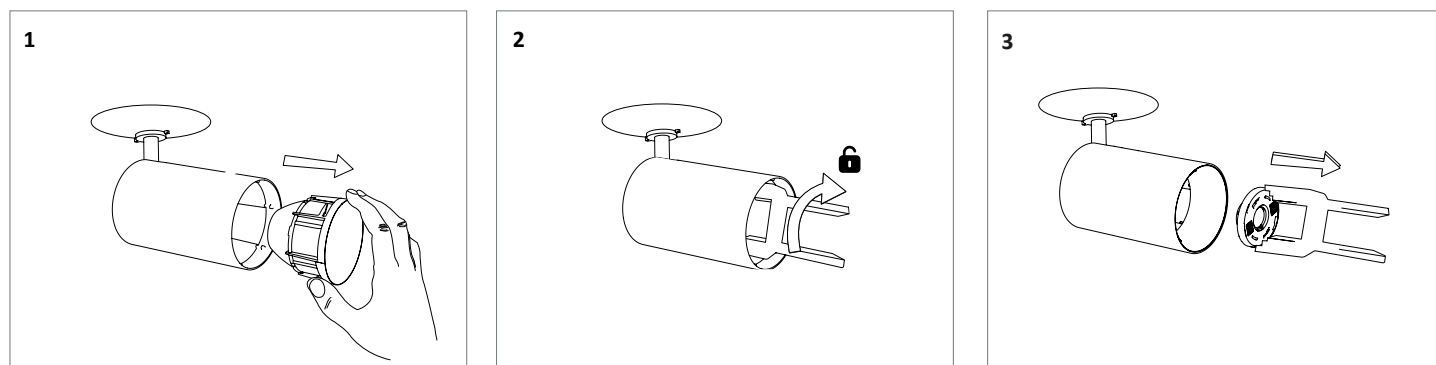


Ø68 mm



A product equipped with ICOB technology is provided with a mechanism enable to change the module on the GH36d-4 socket by a simple quarter-turn rotation.

ICOB version



High efficiency performance of the components (HE) CRI 90 with R9>80

ITEM	POWER	CONSUMPTION	LUMINOUS FLUX	SYSTEM EFFICIENCY	COLOUR TEMPERATURE	CRI	EFFICIENCY ENERGY CLASS
EO 5140-B LED ROD ICOB HE 2800-930	16,7 W	18,6 W	2829 lumens	152,5 lm/W	3000 K	90	E
EO 5140-B LED ROD ICOB HE 2800-935	16,7 W	18,6 W	2811 lumens	151,5 lm/W	3500 K	90	E
EO 5140-B LED ROD ICOB HE 2800-940	16,7 W	18,6 W	2834 lumens	152,7 lm/W	4000 K	90	E
EO 5140-B LED ROD ICOB HE 3800-930	23,9 W	26,6 W	3745 lumens	141 lm/W	3000 K	90	E
EO 5140-B LED ROD ICOB HE 3800-935	23,9 W	26,6 W	3721 lumens	140,1 lm/W	3500 K	90	E
EO 5140-B LED ROD ICOB HE 3800-940	23,9 W	26,6 W	3751 lumens	141,3 lm/W	4000 K	90	E

EO 5140-C LED



ORIENTABLE AND ADJUSTABLE . LED

- Recessed orientable for LED SPOT module, maximum 2 400 lumens
- CRI of 95
- MacAdam Ellipse : 2 SDCM
- Available in 3 000 K and 4 000 K
- 50 000 hours lamp life (L80B10)
- Luminous efficiency of system up to 103,4 lm/W
- Springs in pressure for easier installation
- Ring made of die-cast aluminium
- Silicon lens optics
- **Weight** : Approx. 1,3 kg
- **Driver(s)** : Fixed, Dimmable DALI
- **Option(s)** : Fast connector (CORD)
- Photobiological risk group 1

Driver(s)



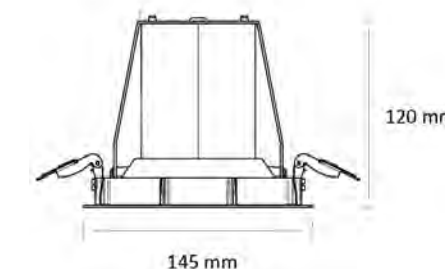
Standards

Class II | IP 20 | 650° | RG1

Beam(s)



Dimensions



Ring colour(s)



Interior color(s)



Ø135 mm



ITEM	POWER	CONSUMPTION	LIGHT EMITTING SURFACE	LUMINOUS FLUX	SYSTEM EFFICIENCY	COLOUR TEMPERATURE	CRI	BEAM	EFFICIENCY ENERGY CLASS
EO 5140-C LED 900-930	13,1 W	15 W	LES4	893 lumens	59,3 lm/W	3000 K	95	7°	F
EO 5140-C LED 1000-940	13,1 W	15 W	LES4	987 lumens	65,5 lm/W	4000 K	95	7°	E
EO 5140-C LED 950-930	8,8 W	11 W	LES6	965 lumens	87,7 lm/W	3000 K	95	10°/20°/35°	F
EO 5140-C LED 1050-940	8,8 W	11 W	LES6	1047 lumens	95,2 lm/W	4000 K	95	10°/20°/35°	D
EO 5140-C LED 1400-930	14,9 W	17,13 W	LES6	1381 lumens	80,6 lm/W	3000 K	95	10°/20°/35°	F
EO 5140-C LED 1500-940	14,9 W	17,13 W	LES6	1498 lumens	87,5 lm/W	4000 K	95	10°/20°/35°	D
EO 5140-C LED 2000-930	17,3 W	20,12 W	LES9	1885 lumens	93,7 lm/W	3000 K	95	15°/20°/35°	F
EO 5140-C LED 2000-940	17,3 W	20,12 W	LES9	2080 lumens	103,4 lm/W	4000 K	95	15°/20°/35°	E
EO 5140-C LED 2200-930	21,1 W	24,25 W	LES9	2175 lumens	89,7 lm/W	3000 K	95	15°/20°/35°	E
EO 5140-C LED 2200-940	21,1 W	24,25 W	LES9	2400 lumens	98,95 lm/W	4000 K	95	15°/20°/35°	E

EO 5140-1C2C3C LED

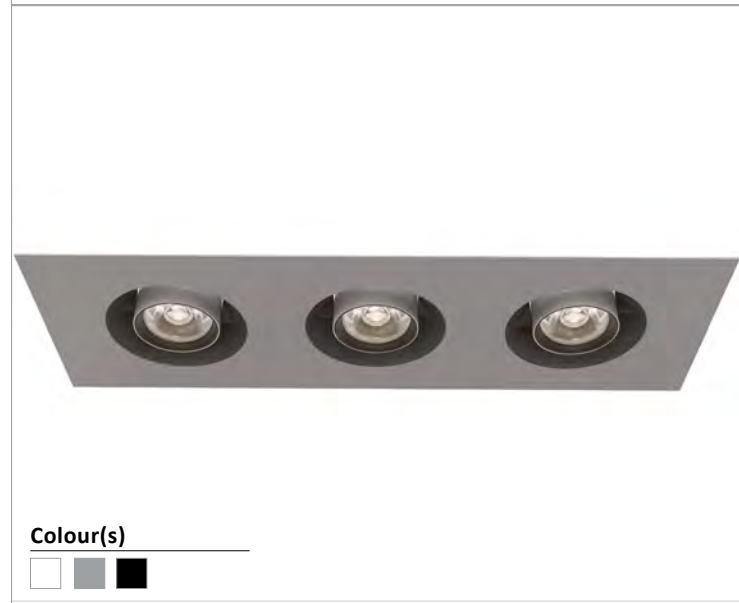
ORIENTABLE AND ADJUSTABLE LED



EO 5140-1C LED

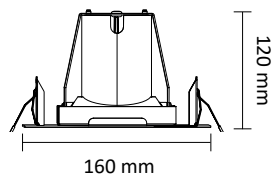
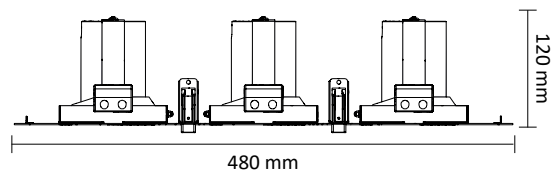
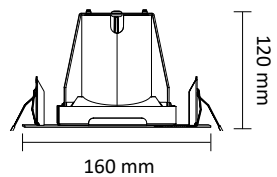
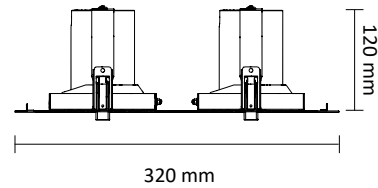
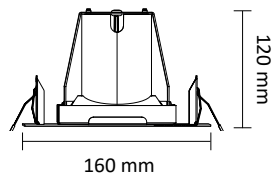
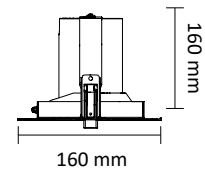


EO 5140-2C LED



EO 5140-3C LED

Colour(s)



EO 5140-1C2C3C LED

- Recessed orientable for LED SPOT module, maximum 3x2 400 lumens
- CRI of 95
- MacAdam Ellipse : 2 SDCM
- Available in 3 000 K and 4 000 K
- 50 000 hours lamp life (L80B10)
- Luminous efficiency of system up to 103,4 lm/W
- Springs in pressure for easier installation
- Painted steel ring
- Silicon lens optics
- **Weight** : Approx. 1,3 kg
- **Driver(s)** : Fixed, Dimmable DALI (CDIMMDALI), Casambi, Connect
- **Option(s)** : Fast connector (CORD)
- Photobiological risk group 1

Driver(s)



Standards

Class II | IP 20 | 650° | RG1

Beam(s)



Option(s)



White ring
White interior



Black ring
White interior



Grey ring
White interior



White ring
Black interior



Black ring
Black interior



Grey ring
Black interior

EO 5140-1C2C3C LED

ITEM	POWER	CONSUMPTION	LIGHT EMITTING SURFACE	LUMINOUS FLUX	SYSTEM EFFICIENCY	COLOUR TEMPERATURE	CRI	BEAM	EFFICIENCY ENERGY CLASS
EO 5140-1C LED 900-930	13,1 W	15 W	LES4	893 lumens	59,3 lm/W	3000 K	95	7°	F
EO 5140-1C LED 1000-940	13,1 W	15 W	LES4	987 lumens	65,5 lm/W	4000 K	95	7°	E
EO 5140-1C LED 950-930	8,8 W	11 W	LES6	965 lumens	87,7 lm/W	3000 K	95	10°/20°/35°	F
EO 5140-1C LED 1050-940	8,8 W	11 W	LES6	1047 lumens	95,2 lm/W	4000 K	95	10°/20°/35°	D
EO 5140-1C LED 1400-930	14,9 W	17,13 W	LES6	1381 lumens	80,6 lm/W	3000 K	95	10°/20°/35°	F
EO 5140-1C LED 1500-940	14,9 W	17,13 W	LES6	1498 lumens	87,5 lm/W	4000 K	95	10°/20°/35°	D
EO 5140-1C LED 2000-930	17,3 W	20,12 W	LES9	1885 lumens	93,7 lm/W	3000 K	95	15°/20°/35°	F
EO 5140-1C LED 2000-940	17,3 W	20,12 W	LES9	2080 lumens	103,4 lm/W	4000 K	95	15°/20°/35°	E
EO 5140-1C LED 2200-930	21,1 W	24,25 W	LES9	2175 lumens	89,7 lm/W	3000 K	95	15°/20°/35°	E
EO 5140-1C LED 2200-940	21,1 W	24,25 W	LES9	2400 lumens	98,95 lm/W	4000 K	95	15°/20°/35°	E
EO 5140-2C LED 900-930	2x13,1 W	2x15 W	LES4	2x893 lumens	59,3 lm/W	3000 K	95	7°	F
EO 5140-2C LED 1000-940	2x13,1 W	2x15 W	LES4	2x987 lumens	65,5 lm/W	4000 K	95	7°	E
EO 5140-2C LED 950-930	2x8,8 W	2x11 W	LES6	2x965 lumens	87,7 lm/W	3000 K	95	10°/20°/35°	F
EO 5140-2C LED 1050-940	2x8,8 W	2x11 W	LES6	2x1047 lumens	95,2 lm/W	4000 K	95	10°/20°/35°	D
EO 5140-2C LED 1400-930	2x14,9 W	2x17,13 W	LES6	2x1381 lumens	80,6 lm/W	3000 K	95	10°/20°/35°	F
EO 5140-2C LED 1500-940	2x14,9 W	2x17,13 W	LES6	2x1498 lumens	87,5 lm/W	4000 K	95	10°/20°/35°	D
EO 5140-2C LED 2000-930	17,3 W	2x20,12 W	LES9	2x1885 lumens	93,7 lm/W	3000 K	95	15°/20°/35°	F
EO 5140-2C LED 2000-940	17,3 W	2x20,12 W	LES9	2x2080 lumens	103,4 lm/W	4000 K	95	15°/20°/35°	E
EO 5140-2C LED 2200-930	21,1 W	2x24,25 W	LES9	2x2175 lumens	89,7 lm/W	3000 K	95	15°/20°/35°	E
EO 5140-2C LED 2200-940	21,1 W	2x24,25 W	LES9	2x2400 lumens	98,95 lm/W	4000 K	95	15°/20°/35°	E
EO 5140-3C LED 900-930	3x13,1 W	3x15 W	LES4	3x893 lumens	59,3 lm/W	3000 K	95	7°	F
EO 5140-3C LED 1000-940	3x13,1 W	3x15 W	LES4	3x987 lumens	65,5 lm/W	4000 K	95	7°	E
EO 5140-3C LED 950-930	3x8,8 W	3x11 W	LES6	3x965 lumens	87,7 lm/W	3000 K	95	10°/20°/35°	F
EO 5140-3C LED 1050-940	3x8,8 W	3x11 W	LES6	3x1047 lumens	95,2 lm/W	4000 K	95	10°/20°/35°	D
EO 5140-3C LED 1400-930	3x14,9 W	3x17,13 W	LES6	3x1381 lumens	80,6 lm/W	3000 K	95	10°/20°/35°	F
EO 5140-3C LED 1500-940	3x14,9 W	3x17,13 W	LES6	3x1498 lumens	87,5 lm/W	4000 K	95	10°/20°/35°	D
EO 5140-3C LED 2000-930	17,3 W	3x20,12 W	LES9	3x1885 lumens	93,7 lm/W	3000 K	95	15°/20°/35°	F
EO 5140-3C LED 2000-940	17,3 W	3x20,12 W	LES9	3x2080 lumens	103,4 lm/W	4000 K	95	15°/20°/35°	E
EO 5140-3C LED 2200-930	21,1 W	3x24,25 W	LES9	3x2175 lumens	89,7 lm/W	3000 K	95	15°/20°/35°	E
EO 5140-3C LED 2200-940	21,1 W	3x24,25 W	LES9	3x2400 lumens	98,95 lm/W	4000 K	95	15°/20°/35°	E

EO 5140-C LED ROD



Colour(s)



Ø68 mm



ORIENTABLE AND ADJUSTABLE LED

- Recessed orientable for LED SPOT module, maximum 2 400 lumens
- CRI of 95
- MacAdam Ellipse : 2 SDCM
- Available in 3 000 K and 4 000 K
- 50 000 hours lamp life (L80B10)
- Luminous efficiency of system up to 108 lm/W
- Springs in pressure for easier installation
- Ring made of die-cast aluminium
- Silicon lens optics
- **Weight** : Approx. 1,3 kg
- **Driver(s)** : Fixed, Dimmable DALI, Casambi, Connect
- **Option(s)** : Fast connector (CORD)
- Photobiological risk group 1

Driver(s)



Standards

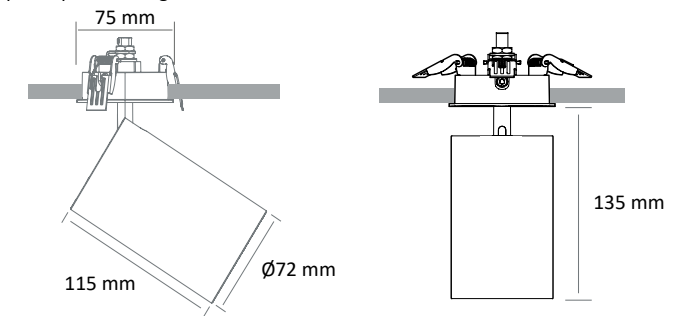
Classe II | IP 20 | 650° | RG1

Beam(s)



Dimensions

Required plenum height : 150 mm



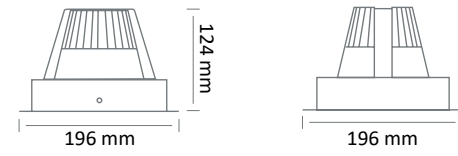
ITEM	POWER	CONSUMPTION	LIGHT EMITTING SURFACE	LUMINOUS FLUX	SYSTEM EFFICIENCY	COLOUR TEMPERATURE	CRI	BEAM	EFFICIENCY ENERGY CLASS
EO 5140-C LED ROD 900-930	13,1 W	16 W	LES4	893 lumens	59,3 lm/W	3000 K	95	7°	F
EO 5140-C LED ROD 1000-940	13,1 W	16 W	LES4	987 lumens	65,5 lm/W	4000 K	95	7°	E
EO 5140-C LED ROD 950-930	8,8 W	11 W	LES6	965 lumens	87,7 lm/W	3000 K	95	10°/20°/35°	F
EO 5140-C LED ROD 1050-940	8,8 W	11 W	LES6	1047 lumens	95,2 lm/W	4000 K	95	10°/20°/35°	D
EO 5140-C LED ROD 1400-930	14,9 W	17,95 W	LES6	1381 lumens	76,9 lm/W	3000 K	95	10°/20°/35°	F
EO 5140-C LED ROD 1500-940	14,9 W	17,95 W	LES6	1498 lumens	83,4 lm/W	4000 K	95	10°/20°/35°	D
EO 5140-C LED ROD 2000-930	17,3 W	19,44 W	LES9	1904 lumens	97,95 lm/W	3000 K	95	15°/20°/35°	F
EO 5140-C LED ROD 2000-940	17,3 W	19,44 W	LES9	2101 lumens	108 lm/W	4000 K	95	15°/20°/35°	E
EO 5140-C LED ROD 2200-930	21,1 W	24,3 W	LES9	2175 lumens	90,5 lm/W	3000 K	95	15°/20°/35°	E
EO 5140-C LED ROD 2600-940	21,1 W	24,3 W	LES9	2400 lumens	99,9 lm/W	4000 K	95	15°/20°/35°	E

EO 2243 LED

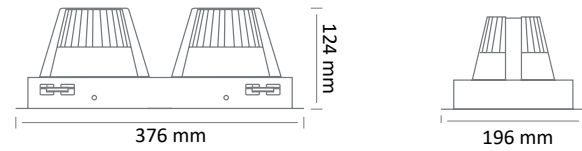
ORIENTABLE AND ADJUSTABLE LED



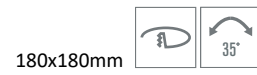
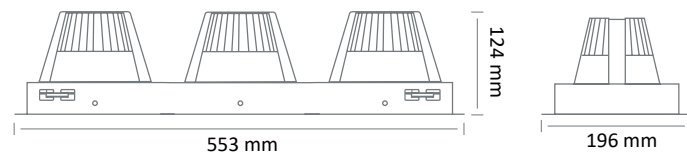
EO 2243-1 LED



EO 2243-2 LED



EO 2243-3 LED



Colour(s)



ORIENTABLE AND ADJUSTABLE LED

- Recessed orientable spotlight, simple, double or triple gimbal modules, for LED SPOT module, maximum 3 x 7 750 lumens
- CRI of 80 or 90
- MacAdam Ellipse : 2 SDCM
- Available in 3 000 K and 4 000 K
- 50 000 hours lamp life (L80B10)
- Luminous efficiency of system up to 151,2 lm/W
- Springs in pressure for easier installation
- Housing and ring made of die-cast aluminium
- Static heat sink
- **Weight** : Approx. 1,7 kg (simple), 3,1 kg (double), 4,5 kg (triple)
- **Driver(s)** : Fixe (C Fixed), Dimmable DALI
- **Option(s)** : Fast connector (CORD)

Driver(s)



Standards

Class II | IP 20 | 650°

Beam(s)



ITEM	CONSUMPTION	LUMINOUS FLUX	SYSTEM EFFICIENCY	COLOUR TEMPERATURE	CRI	BEAM	EFFICIENCY ENERGY CLASS
EO 2243-1 LED 2000-930	14W	1918 lumens	137,9 lm/W	3000 K	90	B	D
EO 2243-1 LED 2000-940	14W	2016 lumens	145 lm/W	4000 K	90	B	D
EO 2243-1 LED 3000-830	21W	3025 lumens	144 lm/W	3000 K	80	B	D
EO 2243-1 LED 3000-840	21W	3175 lumens	151,2 lm/W	4000 K	80	B	D
EO 2243-1 LED 3500-930	25,4W	3434 lumens	135,2 lm/W	3000 K	90	B	D
EO 2243-1 LED 3500-940	25,4W	3629 lumens	142,9 lm/W	4000 K	90	B	D
EO 2243-1 LED 4000-930	31,7W	4143 lumens	130,4 lm/W	3000 K	90	B	D
EO 2243-1 LED 4000-940	29,4W	4139 lumens	140,6 lm/W	4000 K	90	B	D
EO 2243-1 LED 4500-830	34W	4275 lumens	125,7 lm/W	3000 K	80	B	D
EO 2243-1 LED 4500-840	34W	4500 lumens	132,3 lm/W	4000 K	80	B	D
EO 2243-1 LED 5000-830	43W	5075 lumens	118 lm/W	3000 K	80	B	D
EO 2243-1 LED 5000-840	43W	5350 lumens	124,4 lm/W	4000 K	80	B	D
EO 2243-1 LED 5500-930	41,8W	5262 lumens	125,9 lm/W	3000 K	90	B	D
EO 2243-1 LED 5500-940	41,8W	5592 lumens	133,8 lm/W	4000 K	90	B	D
EO 2243-1 LED 7500-830	55W	7325 lumens	133 lm/W	3000 K	80	A	D
EO 2243-1 LED 7500-840	55W	7750 lumens	140 lm/W	4000 K	80	A	D
EO 2243-2 LED 2000-930	2x14W	2x1918 lumens	137,9 lm/W	3000 K	90	B	D
EO 2243-2 LED 2000-940	2x14W	2x2016 lumens	145 lm/W	4000 K	90	B	D
EO 2243-2 LED 3000-830	2x21W	2x3025 lumens	144 lm/W	3000 K	80	B	D
EO 2243-2 LED 3000-840	2x21W	2x3175 lumens	151,2 lm/W	4000 K	80	B	D
EO 2243-2 LED 3500-930	2x25,4W	2x3434 lumens	135,2 lm/W	3000 K	90	B	D
EO 2243-2 LED 3500-940	2x25,4W	2x3629 lumens	142,9 lm/W	4000 K	90	B	D
EO 2243-2 LED 4000-930	2x31,7W	2x4143 lumens	130,4 lm/W	3000 K	90	B	D
EO 2243-2 LED 4000-940	2x29,4W	2x4139 lumens	140,6 lm/W	4000 K	90	B	D
EO 2243-2 LED 4500-830	2x34W	2x4275 lumens	125,7 lm/W	3000 K	80	B	D
EO 2243-2 LED 4500-840	2x34W	2x4500 lumens	132,3 lm/W	4000 K	80	B	D
EO 2243-2 LED 5000-830	2x43W	2x5075 lumens	118 lm/W	3000 K	80	B	D
EO 2243-2 LED 5000-840	2x43W	2x5350 lumens	124,4 lm/W	4000 K	80	B	D
EO 2243-2 LED 5500-930	2x41,8W	2x5262 lumens	125,9 lm/W	3000 K	90	B	D
EO 2243-2 LED 5500-940	2x41,8W	2x5592 lumens	133,8 lm/W	4000 K	90	B	D
EO 2243-2 LED 7500-830	2x55W	2x7325 lumens	133 lm/W	3000 K	80	A	D
EO 2243-2 LED 7500-840	2x55W	2x7750 lumens	140 lm/W	4000 K	80	A	D

EO 2243 LED

ITEM	CONSUMPTION	LUMINOUS FLUX	SYSTEM EFFICIENCY	COLOUR TEMPERATURE	CRI	BEAM	EFFICIENCY ENERGY CLASS
EO 2243-3 LED 2000-930	3x14W	3x1918 lumens	137,9 lm/W	3000 K	90	B	D
EO 2243-3 LED 2000-940	3x14W	3x2016 lumens	145 lm/W	4000 K	90	B	D
EO 2243-3 LED 3000-830	3x21W	3x3025 lumens	144 lm/W	3000 K	80	B	D
EO 2243-3 LED 3000-840	3x21W	3x3175 lumens	151,2 lm/W	4000 K	80	B	D
EO 2243-3 LED 3500-930	3x25,4W	2x3434 lumens	135,2 lm/W	3000 K	90	B	D
EO 2243-3 LED 3500-940	3x25,4W	2x3629 lumens	142,9 lm/W	4000 K	90	B	D
EO 2243-2 LED 4000-930	3x31,7W	2x4143 lumens	130,4 lm/W	3000 K	90	B	D
EO 2243-2 LED 4000-940	3x29,4W	2x4139 lumens	140,6 lm/W	4000 K	90	B	D
EO 2243-3 LED 4500-830	3x34W	3x4275 lumens	125,7 lm/W	3000 K	80	B	D
EO 2243-3 LED 4500-840	3x34W	3x4500 lumens	132,3 lm/W	4000 K	80	B	D
EO 2243-3 LED 5000-830	3x43W	3x5075 lumens	118 lm/W	3000 K	80	B	D
EO 2243-3 LED 5000-840	3x43W	3x5350 lumens	124,4 lm/W	4000 K	80	B	D
EO 2243-3 LED 5500-930	3x41,8W	2x5262 lumens	125,9 lm/W	3000 K	90	B	D
EO 2243-3 LED 5500-940	2x41,8W	2x5592 lumens	133,8 lm/W	4000 K	90	B	D
EO 2243-3 LED 7500-830	3x55W	3x7325 lumens	133 lm/W	3000 K	80	A	D
EO 2243-3 LED 7500-840	3x55W	3x7750 lumens	140 lm/W	4000 K	80	A	D

EO 2242 LED



ORIENTABLE AND ADJUSTABLE LED

- Circular recessed orientable spotlight for LED SPOT module, maximum 7 750 lumens
- CRI of 80 or 90
- MacAdam Ellipse : 2 SDCM
- Available in 3 000 K and 4 000 K
- 50 000 hours lamp life (L80B10)
- Luminous efficiency of system up to 151,2 lm/W
- Springs in pressure for easier installation
- Ring made of die-cast aluminium
- Static heat sink
- **Weight** : Approx. 1,7 kg
- **Driver(s)** : Fixed, Dimmable DALI
- **Option(s)** : Fast connector (CORD)

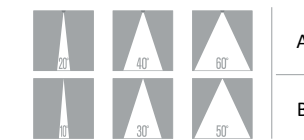
Driver(s)



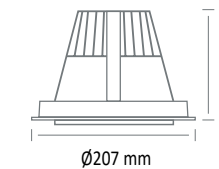
Standards

Class II | IP 20 | 650°

Beam(s)



Dimensions



Colour(s)



Ø195 mm



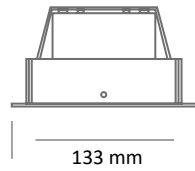
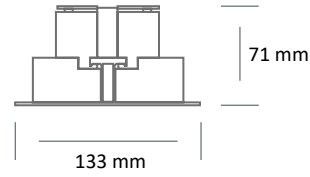
ITEM	CONSUMPTION	LUMINOUS FLUX	SYSTEM EFFICIENCY	COLOUR TEMPERATURE	CRI	BEAM	EFFICIENCY ENERGY CLASS
EO 2242 LED 2000-930	14W	1918 lumens	137,9 lm/W	3000 K	90	B	D
EO 2242 LED 2000-940	14W	2016 lumens	145 lm/W	4000 K	90	B	D
EO 2242 LED 3000-830	21W	3025 lumens	144 lm/W	3000 K	80	B	D
EO 2242 LED 3000-840	21W	3175 lumens	151,2 lm/W	4000 K	80	B	D
EO 2242 LED 3500-930	25,4W	3434 lumens	135,2 lm/W	3000 K	90	B	D
EO 2242 LED 3500-940	25,4W	3629 lumens	142,9 lm/W	4000 K	90	B	D
EO 2242 LED 4000-930	31,7W	4143 lumens	130,4 lm/W	3000 K	90	B	D
EO 2242 LED 4000-940	29,4W	4139 lumens	140,6 lm/W	4000 K	90	B	D
EO 2242 LED 4500-830	34W	4275 lumens	125,7 lm/W	3000 K	80	B	D
EO 2242 LED 4500-840	34W	4500 lumens	132,3 lm/W	4000 K	80	B	D
EO 2242 LED 5000-830	43W	5075 lumens	118 lm/W	3000 K	80	B	D
EO 2242 LED 5000-840	43W	5350 lumens	124,4 lm/W	4000 K	80	B	D
EO 2242 LED 5500-930	41,8W	5262 lumens	125,9 lm/W	3000 K	90	B	D
EO 2242 LED 5500-940	41,8W	5592 lumens	133,8 lm/W	4000 K	90	B	D
EO 2242 LED 7500-830	55W	7325 lumens	133 lm/W	3000 K	80	A	D
EO 2242 LED 7500-840	55W	7750 lumens	140 lm/W	4000 K	80	A	D

EO 2245 LED

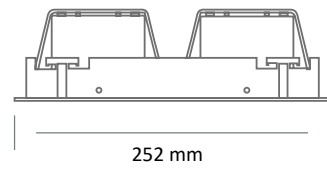
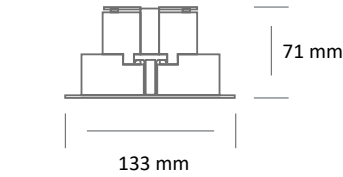
ORIENTABLE AND ADJUSTABLE LED



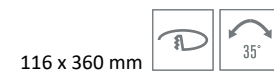
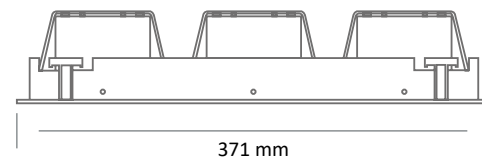
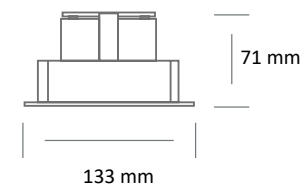
EO 2245-1 LED



EO 2245-2 LED



EO 2245-3 LED



EO 2245 LED

- Recessed orientable spotlight, simple, double or triple gimbal modules, for LED SPOT module, maximum 3 x 4 050 lumens
- CRI of 80 or 90
- MacAdam Ellipse : 2 SDCM
- Available in 3 000 K and 4 000 K
- 50 000 hours lamp life (L80B10)
- Luminous efficiency of system up to 163,6 lm/W
- Springs in pressure for easier installation
- Static heat sink
- **Weight** : Approx. 1 kg (simple), 2 kg (double), 3 kg (triple)
- **Driver(s)** : Fixed, Dimmable DALI
- **Option(s)** : Fast connector (CORD)

Driver(s)



Beam(s)



Standards

Class II | IP 20 | 650°

ITEM	CONSUMPTION	LUMINOUS FLUX	SYSTEM EFFICIENCY	COLOUR TEMPERATURE	CRI	EFFICIENCY ENERGY CLASS
EO 2245-1 LED-1800-830	11W	1725 lumens	156,8 lm/W	3000 K	80	D
EO 2245-1 LED-1800-840	11W	1800 lumens	163,6 lm/W	4000 K	80	D
EO 2245-1 LED 2000-930	14W	1918 lumens	137,9 lm/W	3000 K	90	D
EO 2245-1 LED 2000-940	14W	2016 lumens	145 lm/W	4000 K	90	D
EO 2245-1 LED-2500-830	17W	2475 lumens	145,5 lm/W	3000 K	80	D
EO 2245-1 LED-2500-840	17W	2600 lumens	152,9 lm/W	4000 K	80	D
EO 2245-1 LED 3500-930	25,4W	3434 lumens	135,2 lm/W	3000 K	90	D
EO 2245-1 LED 3500-940	25,4W	3629 lumens	142,9 lm/W	4000 K	90	D
EO 2245-1 LED-4000-830	30W	3850 lumens	128,3 lm/W	3000 K	80	D
EO 2245-1 LED-4000-840	30W	4050 lumens	135 lm/W	4000 K	80	D
EO 2245-2 LED-1800-830	2x11W	2x1725 lumens	156,8 lm/W	3000 K	80	D
EO 2245-2 LED-1800-840	2x11W	2x1800 lumens	163,6 lm/W	4000 K	80	D
EO 2245-2 LED 2000-930	2x14W	2x1918 lumens	137,9 lm/W	3000 K	90	D
EO 2245-2 LED 2000-940	2x14W	2x2016 lumens	145 lm/W	4000 K	90	D
EO 2245-2 LED-2500-830	2x17W	2x2475 lumens	145,5 lm/W	3000 K	80	D
EO 2245-2 LED-2500-840	2x17W	2x2600 lumens	152,9 lm/W	4000 K	80	D
EO 2245-2 LED 3500-930	2x25,4W	2x3434 lumens	135,2 lm/W	3000 K	90	D
EO 2245-2 LED 3500-940	2x25,4W	2x3629 lumens	142,9 lm/W	4000 K	90	D
EO 2245-2 LED-4000-830	2x30W	2x3850 lumens	128,3 lm/W	3000 K	80	D
EO 2245-2 LED-4000-840	2x30W	2x4050 lumens	135 lm/W	4000 K	80	D
EO 2245-3 LED-1800-830	3x11W	3x1725 lumens	156,8 lm/W	3000 K	80	D
EO 2245-3 LED-1800-840	3x11W	3x1800 lumens	163,6 lm/W	4000 K	80	D
EO 2245-3 LED 2000-930	3x14W	3x1918 lumens	137,9 lm/W	3000 K	90	D
EO 2245-3 LED 2000-940	3x14W	3x2016 lumens	145 lm/W	4000 K	90	D
EO 2245-3 LED-2500-830	3x17W	3x2475 lumens	145,5 lm/W	3000 K	80	D
EO 2245-3 LED-2500-840	3x17W	3x2600 lumens	152,9 lm/W	4000 K	80	D
EO 2245-3 LED 3500-930	3x25,4W	3x3434 lumens	135,2 lm/W	3000 K	90	D
EO 2245-3 LED 3500-940	3x25,4W	3x3629 lumens	142,9 lm/W	4000 K	90	D
EO 2245-3 LED-4000-830	3x30W	3x3850 lumens	128,3 lm/W	3000 K	80	D
EO 2245-3 LED-4000-840	3x30W	3x4050 lumens	135 lm/W	4000 K	80	D

EO 2225 LED



Colour(s)



Ø118 mm



ORIENTABLE AND ADJUSTABLE . LED

- Recessed orientable spotlight, for LED SPOT module, maximum 4 050 lumens
- CRI of 80 or 90
- MacAdam Ellipse : 2 SDCM
- Available in 3 000 K and 4 000 K
- 50 000 hours lamp life (L80B10)
- Luminous efficiency of system up to 163,6 lm/W
- Springs in pressure for easier installation
- Static heat sink
- **Weight** : Approx. 1 kg
- **Driver(s)** : Fixed, Dimmable DALI
- **Option(s)** : Fast connector (CORD)

Driver(s)



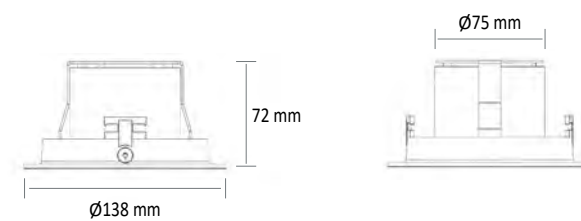
Standards

Class II | IP 20 | 650°

Beam(s)



Dimensions



ITEM	CONSUMPTION	LUMINOUS FLUX	SYSTEM EFFICIENCY	COLOUR TEMPERATURE	CRI	EFFICIENCY ENERGY CLASS
EO 2225 LED 1800-830	11W	1725 lumens	156,8 lm/W	3000 K	80	D
EO 2225 LED 1800-840	11W	1800 lumens	163,6 lm/W	4000 K	80	D
EO 2225 LED 2000-930	14W	1918 lumens	137,9 lm/W	3000 K	90	D
EO 2225 LED 2000-940	14W	2016 lumens	145 lm/W	4000 K	90	D
EO 2225 LED 2500-830	17W	2475 lumens	145,5 lm/W	3000 K	80	D
EO 2225 LED 2500-840	17W	2600 lumens	152,9 lm/W	4000 K	80	D
EO 2225 LED 3500-930	25,4W	3434 lumens	135,2 lm/W	3000 K	90	D
EO 2225 LED 3500-940	25,4W	3629 lumens	142,9 lm/W	4000 K	90	D
EO 2225 LED 4000-830	30W	3850 lumens	128,3 lm/W	3000 K	80	D
EO 2225 LED 4000-840	30W	4050 lumens	135 lm/W	4000 K	80	D



EO 2241-A LED



ORIENTABLE AND ADJUSTABLE . LED

- Circular recessed orientable spotlight for LED SPOT module, maximum 7 700 lumens
- CRI of 80 or 90
- MacAdam Ellipse : 2 SDCM
- Available in 3 000 K and 4 000 K
- 50 000 hours lamp life (L80B10)
- Luminous efficiency of system up to 151,2 lm/W
- Springs in pressure for easier installation
- Ring made of die-cast aluminium
- Static heat sink
- **Weight** : Approx. 1,8 kg
- **Driver(s)** : Fixe (C Fixed), Dimmable DALI
- **Option(s)** : Fast connector (CORD)

Driver(s)



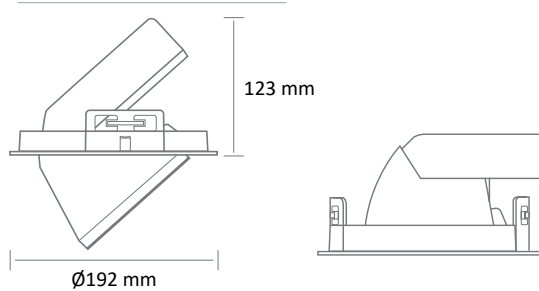
Standards

Class II | IP 20 | 650°

Beam(s)



Dimensions



EO 2241-B LED



ORIENTABLE AND ADJUSTABLE . LED

- Circular recessed orientable spotlight for LED SPOT module, maximum 4 500 lumens
- CRI of 80 or 90
- MacAdam Ellipse : 2 SDCM
- Available in 3 000 K and 4 000 K
- 50 000 hours lamp life (L80B10)
- luminous efficiency of system up to 151,2 lm/W
- Springs in pressure for easier installation
- Ring made of die-cast aluminium
- Static heat sink
- **Weight** : Approx. 1,8 kg
- **Driver(s)** : Fixe (C Fixed), Dimmable DALI
- **Option(s)** : Fast connector (CORD)

Driver(s)



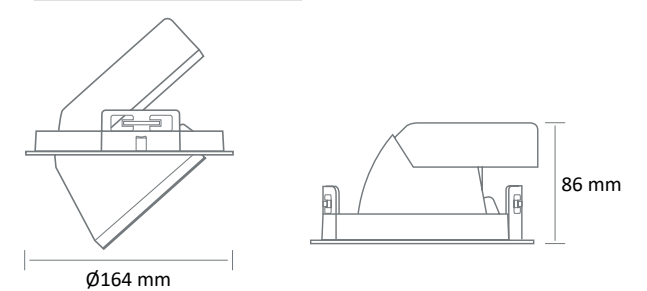
Standards

Class II | IP 20 | 650°

Beam(s)



Dimensions



ITEM	CONSUMPTION	LUMINOUS FLUX	SYSTEM EFFICIENCY	COLOUR TEMPERATURE	CRI	EFFICIENCY ENERGY CLASS
EO 2241-A LED 2000-930	14W	1918 lumens	137,9 lm/W	3000 K	90	D
EO 2241-A LED 2000-940	14W	2016 lumens	145 lm/W	4000 K	90	D
EO 2241-A LED 3000-830	21W	3025 lumens	144 lm/W	3000 K	80	D
EO 2241-A LED 3000-840	21W	3175 lumens	151,2 lm/W	4000 K	80	D
EO 2241-A LED 3500-930	25,4W	3434 lumens	135,2 lm/W	3000 K	90	D
EO 2241-A LED 3500-940	25,4W	3629 lumens	142,9 lm/W	4000 K	90	D
EO 2241-A LED 4000-930	31,7 W	4143 lumens	130,4 lm/W	3000 K	90	D
EO 2241-A LED 4000-940	29,4 W	4139 lumens	140,6 lm/W	4000 K	90	D
EO 2241-A LED 4500-830	34W	4275 lumens	125,7 lm/W	3000 K	80	D
EO 2241-A LED 4500-840	34W	4500 lumens	132,3 lm/W	4000 K	80	D
EO 2241-A LED 5000-830	43W	5075 lumens	118 lm/W	3000 K	80	D
EO 2241-A LED 5000-840	43W	5350 lumens	124,4 lm/W	4000 K	80	D
EO 2241-A LED 5500-930	41,8W	5262 lumens	125,9 lm/W	3000 K	90	D
EO 2241-A LED 5500-940	41,8W	5592 lumens	133,8 lm/W	4000 K	90	D
EO 2241-A LED 7500-830	55W	7325 lumens	133 lm/W	3000 K	80	D
EO 2241-A LED 7500-840	55W	7700 lumens	140 lm/W	4000 K	80	D

ITEM	CONSUMPTION	LUMINOUS FLUX	SYSTEM EFFICIENCY	COLOUR TEMPERATURE	CRI	EFFICIENCY ENERGY CLASS
EO 2241-B LED 2000-930	14W	1918 lumens	137,9 lm/W	3000 K	90	D
EO 2241-B LED 2000-940	14W	2016 lumens	145 lm/W	4000 K	90	D
EO 2241-B LED 3000-830	21W	3025 lumens	144 lm/W	3000 K	80	D
EO 2241-B LED 3000-840	21W	3175 lumens	151,2 lm/W	4000 K	80	D
EO 2241-B LED 3500-930	25,4W	3434 lumens	135,2 lm/W	3000 K	90	D
EO 2241-B LED 3500-940	25,4W	3629 lumens	142,9 lm/W	4000 K	90	D
EO 2241-B LED 4000-830	34W	4275 lumens	125,7 lm/W	3000 K	80	D
EO 2241-B LED 4000-840	34W	4500 lumens	132,3 lm/W	4000 K	80	D
EO 2241-B LED 4000-930	31,7 W	4143 lumens	130,4 lm/W	3000 K	90	D
EO 2241-B LED 4000-940	29,4 W	4139 lumens	140,6 lm/W	4000 K	90	D

EO 2535 LED



Colour(s)



Ø127 mm



ORIENTABLE AND ADJUSTABLE . LED

- Circular recessed orientable spotlight for LED SPOT module, maximum 3235 lumens
- CRI of 90
- MacAdam Ellipse : 2 SDCM
- Available in 3 000 K and 4 000 K
- 50 000 hours lamp life (L80B10)
- Luminous efficiency of system up to 136,5 lm/W
- Springs in pressure for easier installation
- Ring made of die-cast aluminium
- Static heat sink
- **Weight** : Approx. 1 kg
- **Driver(s)** : Fixed, Dimmable DALI
- **Option(s)** : Fast connector (CORD)

Driver(s)



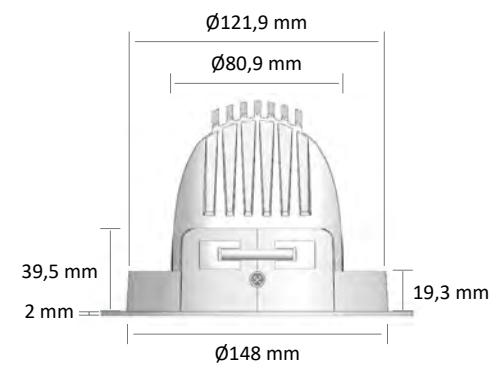
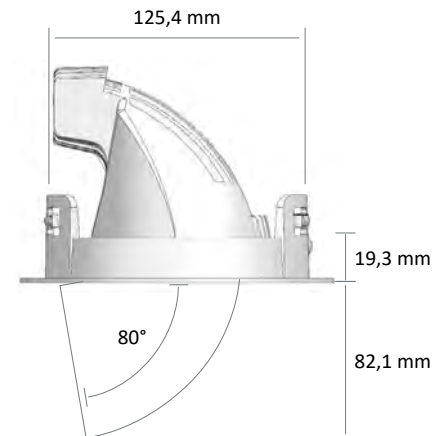
Standards

Class II | IP 20 | 650°

Beam(s)



Dimensions



EO 2250 LED



Colour(s)



Ø100 mm



ORIENTABLE AND ADJUSTABLE . LED

- Circular recessed orientable spotlight for LED SPOT module, maximum 1500 lumens
- CRI of 80
- MacAdam Ellipse : 3 SDCM
- Available in 3 000 K
- 50 000 hours lamp life (L80B50)
- Luminous efficiency of system up to 115,5 lm/W
- Housing made of die-cast aluminium
- Static heat sink
- **Weight** : Approx. 0,5 kg
- **Driver(s)** : Fixe (C Fixed)
- **Option(s)** : Fast connector (CORD)

Driver(s)



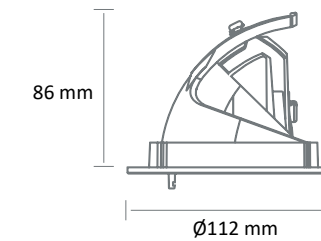
Standards

Class II | IP 20 | 650°

Beam(s)



Dimensions



ITEM	CONSUMPTION	LUMINOUS FLUX	SYSTEM EFFICIENCY	COLOUR TEMPERATURE	CRI	EFFICIENCY ENERGY CLASS
EO 2250 LED 1500-830	13W	1500 lumens	115,5 lm/W	3000 K	80	D

ITEM	CONSUMPTION	LUMINOUS FLUX	SYSTEM EFFICIENCY	COLOUR TEMPERATURE	CRI
EO 2535 LED 2000-930	16,5 W	1920 lumens	116,4 lm/W	3000 K	90
EO 2535 LED 2000-940	16,5 W	2020 lumens	122,4 lm/W	4000 K	90
EO 2535 LED 3000-930	23,7W	3128 lumens	132 lm/W	3000 K	90
EO 2535 LED 3000-940	23,7W	3235 lumens	136,5 lm/W	4000 K	90

EO 5084-A LED TRIM



Colour(s)



Ø83 mm



ORIENTABLE AND ADJUSTABLE LED

- Recessed orientable spotlight for LED SPOT module, maximum 1 498 lumens
- CRI of 95
- MacAdam Ellipse : 2 SDCM
- Available in 3 000 K, 3 500 K and 4 000 K
- 50 000 hours lamp life (L80B10)
- Luminous efficiency of system up to 99 lm/W
- Springs in pressure for easier installation
- Cast aluminum flange
- Static heat sink
- **Weight** : Approx. 1 kg
- **Driver(s)** : Fixed, Dimmable DALI, Casambi, Connect
- **Option(s)** : Elliptical optic, honeycomb

Driver(s)



Standards

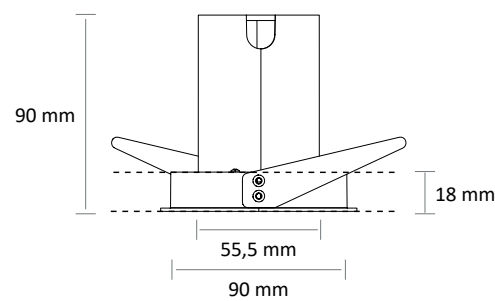
Class II | IP 20 | 650°

Beam(s)



See table

Dimensions



EO 5084 LED ROD



Colour(s)



Ø68 mm



ORIENTABLE AND ADJUSTABLE LED

- Circular recessed orientable spotlight for LED SPOT module, maximum 1 498 lumens
- CRI of 95
- MacAdam Ellipse : 2 SDCM
- Available in 3 000 K, 3 500 K and 4 000 K
- 50 000 hours lamp life (L80B10)
- Luminous efficiency of system up to 99 lm/W
- Springs in pressure for easier installation
- Screwed fastening device with height adjustment for installation in gypsum board (13 or 26mm)
- Cast aluminum flange
- Static heat sink
- **Weight** : Approx. 1 kg
- **Driver(s)** : Fixed, Dimmable DALI, Casambi, Connect
- **Option(s)** : Elliptical optic, honeycomb, plenum cover

Driver(s)



Standards

Class II | IP 20 | 650°

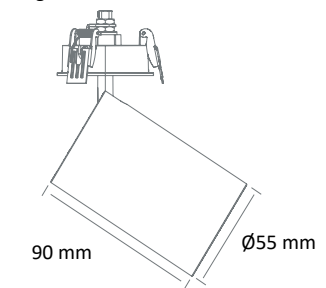
Beam(s)



See table

Dimensions

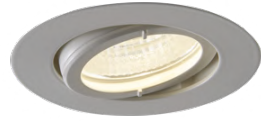
Required plenum height : 150 mm



ITEM	CONSUMPTION	LUMINOUS FLUX	SYSTEM EFFICIENCY	COLOUR TEMPERATURE	CRI	BEAMS	EFFICIENCY ENERGY CLASS
EO 5084-A LED 600-930	8,7W	600 lumens	68,6 lm/W	3000 K	95	11°/25°/35°	F
EO 5084-A LED 600-935	8,7W	600 lumens	68,6 lm/W	3500 K	95	11°/25°/35°	F
EO 5084-A LED 650-940	8,7W	663 lumens	75,8 lm/W	4000 K	95	11°/25°/35°	E
EO 5084-A LED 700-930	11,2W	717 lumens	63,7 lm/W	3000 K	95	11°/25°/35°	F
EO 5084-A LED 700-935	11,2W	717 lumens	63,7 lm/W	3500 K	95	11°/25°/35°	F
EO 5084-A LED 800-940	11,2W	793 lumens	70,5 lm/W	4000 K	95	11°/25°/35°	E
EO 5084-A LED 900-930	15W	893 lumens	59,3 lm/W	3000 K	95	11°/25°/35°	F
EO 5084-A LED 900-935	15W	893 lumens	59,3 lm/W	3500 K	95	11°/25°/35°	F
EO 5084-A LED 1000-940	15W	987 lumens	65,5 lm/W	4000 K	95	11°/25°/35°	E
EO 5084-A LED 800-930	8,6W	787 lumens	91,2 lm/W	3000 K	95	15°/25°/35°	E
EO 5084-A LED 800-935	8,6W	828 lumens	96 lm/W	3500 K	95	15°/25°/35°	D
EO 5084-A LED 850-940	8,6W	854 lumens	99 lm/W	4000 K	95	15°/25°/35°	D
EO 5084-A LED 950-930	11W	965 lumens	87,7 lm/W	3000 K	95	15°/25°/35°	E
EO 5084-A LED 1000-935	11W	1015 lumens	92,3 lm/W	3500 K	95	15°/25°/35°	D
EO 5084-A LED 1050-940	11W	1047 lumens	95,2 lm/W	4000 K	95	15°/25°/35°	D
EO 5084-A LED 1250-930	16W	1248 lumens	78 lm/W	3000 K	95	15°/25°/35°	E
EO 5084-A LED 1300-935	16W	1312 lumens	82 lm/W	3500 K	95	15°/25°/35°	D
EO 5084-A LED 1350-940	16W	1354 lumens	84,6 lm/W	4000 K	95	15°/25°/35°	D
EO 5084-A LED 1400-930	17,1W	1381 lumens	80,6 lm/W	3000 K	95	15°/25°/35°	E
EO 5084-A LED 1450-935	17,1W	1452 lumens	84,8 lm/W	3500 K	95	15°/25°/35°	D
EO 5084-A LED 1500-940	17,1W	1498 lumens	87,5 lm/W	4000 K	95	15°/25°/35°	D

ITEM	CONSUMPTION	LUMINOUS FLUX	SYSTEM EFFICIENCY	COLOUR TEMPERATURE	CRI	BEAMS	EFFICIENCY ENERGY CLASS
EO 5084 LED ROD 600-930	8,7W	600 lumens	68,6 lm/W	3000 K	95	11°/25°/35°	F
EO 5084 LED ROD 600-935	8,7W	600 lumens	68,6 lm/W	3500 K	95	11°/25°/35°	F
EO 5084 LED ROD 650-940	8,7W	663 lumens	75,8 lm/W	4000 K	95	11°/25°/35°	E
EO 5084 LED ROD 700-930	11,2W	717 lumens	63,7 lm/W	3000 K	95	11°/25°/35°	F
EO 5084 LED ROD 700-935	11,2W	717 lumens	63,7 lm/W	3500 K	95	11°/25°/35°	F
EO 5084 LED ROD 800-940	11,2W	793 lumens	70,5 lm/W	4000 K	95	11°/25°/35°	E
EO 5084 LED ROD 900-930	15W	893 lumens	59,3 lm/W	3000 K	95	11°/25°/35°	F
EO 5084 LED ROD 900-935	15W	893 lumens	59,3 lm/W	3500 K	95	11°/25°/35°	F
EO 5084 LED ROD 1000-940	15W	987 lumens	65,5 lm/W	4000 K	95	11°/25°/35°	E
EO 5084 LED ROD 800-930	8,6W	787 lumens	91,2 lm/W	3000 K	95	15°/25°/35°	E
EO 5084 LED ROD 800-935	8,6W	828 lumens	96 lm/W	3500 K	95	15°/25°/35°	D
EO 5084 LED ROD 850-940	8,6W	854 lumens	99 lm/W	4000 K	95	15°/25°/35°	D
EO 5084 LED ROD 950-930	11W	965 lumens	87,7 lm/W	3000 K	95	15°/25°/35°	E
EO 5084 LED ROD 1000-935	11W	1015 lumens	92,3 lm/W	3500 K	95	15°/25°/35°	D
EO 5084 LED ROD 1050-940	11W	1047 lumens	95,2 lm/W	4000 K	95	15°/25°/35°	D
EO 5084 LED ROD 1250-930	16W	1248 lumens	78 lm/W	3000 K	95	15°/25°/35°	E
EO 5084 LED ROD 1300-935	16W	1312 lumens	82 lm/W	3500 K	95	15°/25°/35°	D
EO 5084 LED ROD 1350-940	16W	1354 lumens	84,6 lm/W	4000 K	95	15°/25°/35°	D
EO 5084 LED ROD 1400-930	17,1W	1381 lumens	80,6 lm/W	3000 K	95	15°/25°/35°	E
EO 5084 LED ROD 1450-935	17,1W	1452 lumens	84,8 lm/W	3500 K	95	15°/25°/35°	D
EO 5084 LED ROD 1500-940	17,1W	1498 lumens	87,5 lm/W	4000 K	95	15°/25°/35°	D

EO 2249 LED



Colour(s)



Ø68 mm



ORIENTABLE AND ADJUSTABLE LED

- Circular recessed orientable spotlight for LED SPOT module, maximum 1 667 lumens
- CRI de 80
- Available in 3 000 K, 3 500 K and 4 000 K
- 50 000 hours lamp life (L80B50)
- Luminous efficiency of system up to 128,2 lm/W
- Housing made of die-cast aluminium
- Static heat sink
- **Adjustable** : 30° and Turnable : 350°
- **Driver(s)** : Fixed
- **Option(s)** : Fast connector (CORD)

Driver(s)



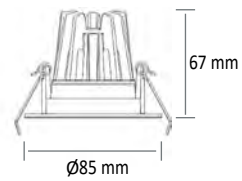
Standards

Class II | IP 44 | 650°

Beam(s)



Dimensions

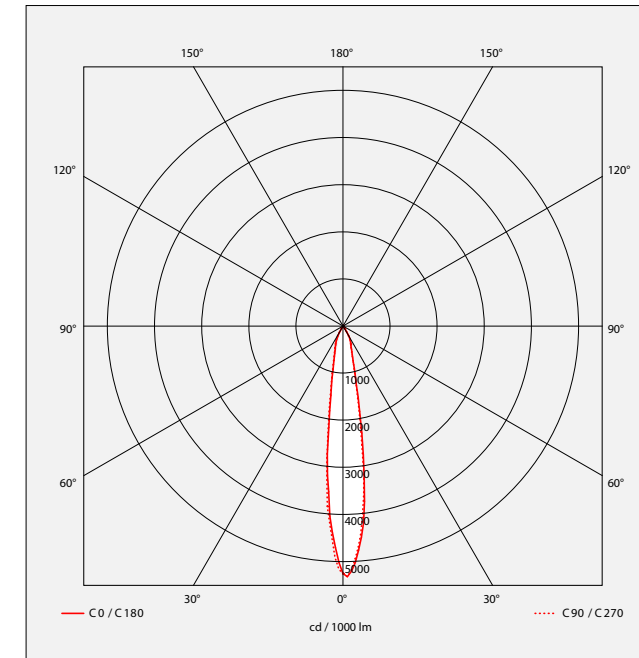


ITEM	CONSUMPTION	LUMINOUS FLUX	SYSTEM EFFICIENCY	COLOUR TEMPERATURE	CRI	EFFICIENCY ENERGY CLASS
EO 2249 LED 1600-830	13W	1624 lumens	124,9 lm/W	3000 K	80	E
EO 2249 LED 1600-835	13W	1654 lumens	127,2 lm/W	3500 K	80	E
EO 2249 LED 1600-840	13W	1667 lumens	128,2 lm/W	4000 K	80	E

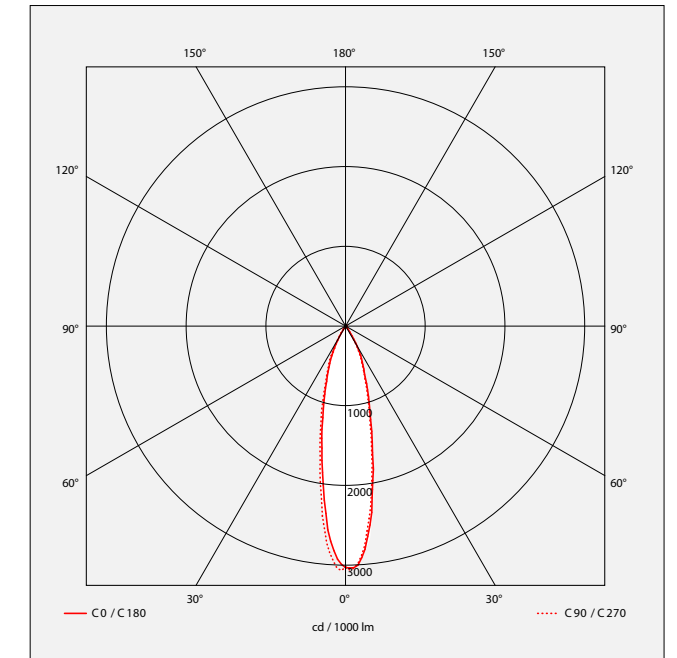
EO 2249 LED

LIGHT DISTRIBUTION

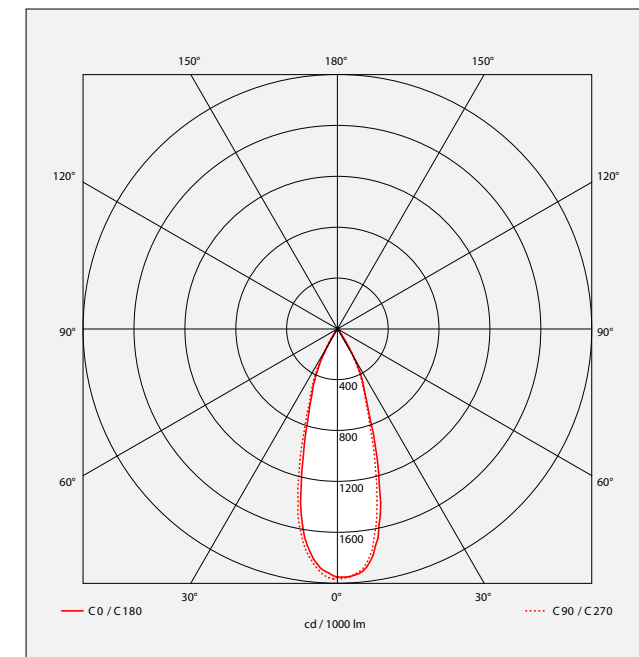
Beams 15°



Beams 24°



Beams 36°



BT 2153-D LED C 50



Colour(s)



EXTRA LOW VOLTAGE ■ LED

- Circular recessed adjustable spotlight for LED SPOT module, maximum 1 520 lumens
- CRI of 80 or 90
- MacAdam Ellipse: 2 SDCM
- Available in 3 000 K and 4 000 K
- Up to 50 000 hours lamp life (L70B50)
- Luminous efficiency of system up to 99,8 lm/W
- Adjustable brackets for easier installation
- Housing and ring made of die-cast aluminium
- Static heat sink
- **Weight** : Approx. 0,5 kg
- **Driver(s)** : Fixed, Dimmable DALI
- **Option(s)** : Fast connector (CORD)

Driver(s)



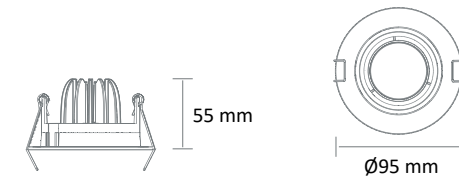
Standards

Class II | IP 20 | 650°

Beam(s)



Dimensions



ITEM	LAMP LIFE	POWER	CONSUMPTION	LUMINOUS FLUX	SYSTEM EFFICIENCY	COLOUR TEMPERATURE	CRI	EFFICIENCY ENERGY CLASS
BT 2153-D LED C 50 900-930	50 000 Hours	8,8 W	11 W	967 lumens	87,9 lm/W	3000 K	90	F
BT 2153-D LED C 50 900-940	50 000 Hours	8,8 W	11 W	1018 lumens	92,5 lm/W	4000 K	90	F
BT 2153-D LED C 50 1400-830	50 000 Hours	12,8W	15,2 W	1450 lumens	95,2 lm/W	3000 K	80	F
BT 2153-D LED C 50 1400-840	50 000 Hours	12,8W	15,2 W	1520 lumens	99,8 lm/W	4000 K	80	F



TRIMLESS

EO 5084-A LED ROUND



Ø105 mm



ORIENTABLE AND ADJUSTABLE . LED

- Recessed orientable spotlight for LED SPOT module, maximum 1 498 lumens
- CRI of 95
- MacAdam Ellipse : 2 SDCM
- Available in 3 000 K, 3 500 K and 4 000 K
- 50 000 hours lamp life (L80B10)
- Luminous efficiency of system up to 99 lm/W
- Springs in pressure for easier installation
- Screwed fastening device with height adjustment for installation in gypsum board (13 or 26mm)
- Cast aluminum flange
- Static heat sink
- **Weight** : Approx. 1 kg
- **Driver(s)** : Fixed, Dimmable DALI
- **Option(s)** : Elliptical optic, honeycomb, plenum cover

Driver(s)



Standards

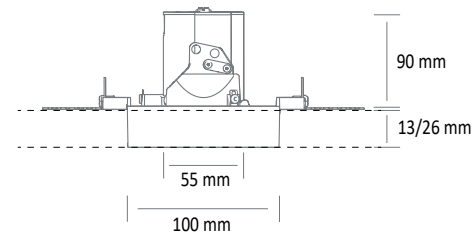
Class II | IP 20 | 650°

Beam(s)



See table

Dimensions



EO 5084-A LED SQUARE



105x105 mm



ORIENTABLE AND ADJUSTABLE . LED

- Recessed orientable spotlight for LED SPOT module, maximum 1 498 lumens
- CRI of 95
- MacAdam Ellipse : 2 SDCM
- Available in 3 000 K, 3 500 K and 4 000 K
- 50 000 hours lamp life (L80B10)
- Luminous efficiency of system up to 99 lm/W
- Springs in pressure for easier installation
- Screwed fastening device with height adjustment for installation in gypsum board (13 or 26mm)
- Cast aluminum flange
- Static heat sink
- **Weight** : Approx. 1 kg
- **Driver(s)** : Fixed, Dimmable DALI
- **Option(s)** : Elliptical optic, honeycomb, plenum cover

Driver(s)



Standards

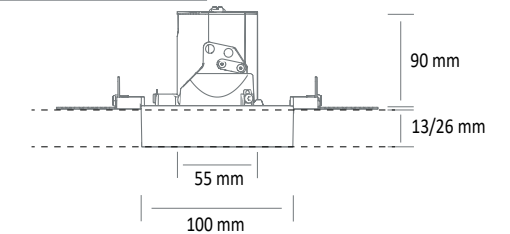
Class II | IP 20 | 650°

Beam(s)



See table

Dimensions



ITEM	CONSUMPTION	LUMINOUS FLUX	SYSTEM EFFICIENCY	COLOUR TEMPERATURE	CRI	BEAMS	EFFICIENCY ENERGY CLASS
EO 5084-A LED 600-930	8,7W	600 lumens	68,6 lm/W	3000 K	95	11°	F
EO 5084-A LED 600-935	8,7W	600 lumens	68,6 lm/W	3500 K	95	11°	F
EO 5084-A LED 650-940	8,7W	663 lumens	75,8 lm/W	4000 K	95	11°	E
EO 5084-A LED 700-930	11,2W	717 lumens	63,7 lm/W	3000 K	95	11°	F
EO 5084-A LED 700-935	11,2W	717 lumens	63,7 lm/W	3500 K	95	11°	F
EO 5084-A LED 800-940	11,2W	793 lumens	70,5 lm/W	4000 K	95	11°	E
EO 5084-A LED 900-930	15W	893 lumens	59,3 lm/W	3000 K	95	11°	F
EO 5084-A LED 900-935	15W	893 lumens	59,3 lm/W	3500 K	95	11°	F
EO 5084-A LED 1000-940	15W	987 lumens	65,5 lm/W	4000 K	95	11°	E
EO 5084-A LED 800-930	8,6W	787 lumens	91,2 lm/W	3000 K	95	15°/25°/35°	E
EO 5084-A LED 800-935	8,6W	828 lumens	96 lm/W	3500 K	95	15°/25°/35°	D
EO 5084-A LED 850-940	8,6W	854 lumens	99 lm/W	4000 K	95	15°/25°/35°	D
EO 5084-A LED 950-930	11W	965 lumens	87,7 lm/W	3000 K	95	15°/25°/35°	E
EO 5084-A LED 1000-935	11W	1015 lumens	92,3 lm/W	3500 K	95	15°/25°/35°	D
EO 5084-A LED 1050-940	11W	1047 lumens	95,2 lm/W	4000 K	95	15°/25°/35°	D
EO 5084-A LED 1250-930	16W	1248 lumens	78 lm/W	3000 K	95	15°/25°/35°	E
EO 5084-A LED 1300-935	16W	1312 lumens	82 lm/W	3500 K	95	15°/25°/35°	D
EO 5084-A LED 1350-940	16W	1354 lumens	84,6 lm/W	4000 K	95	15°/25°/35°	D
EO 5084-A LED 1400-930	17,1W	1381 lumens	80,6 lm/W	3000 K	95	15°/25°/35°	E
EO 5084-A LED 1450-935	17,1W	1452 lumens	84,8 lm/W	3500 K	95	15°/25°/35°	D
EO 5084-A LED 1500-940	17,1W	1498 lumens	87,5 lm/W	4000 K	95	15°/25°/35°	D

ITEM	CONSUMPTION	LUMINOUS FLUX	SYSTEM EFFICIENCY	COLOUR TEMPERATURE	CRI	BEAMS	EFFICIENCY ENERGY CLASS
EO 5084-A LED 600-930	8,7W	600 lumens	68,6 lm/W	3000 K	95	11°	F
EO 5084-A LED 600-935	8,7W	600 lumens	68,6 lm/W	3500 K	95	11°	F
EO 5084-A LED 650-940	8,7W	663 lumens	75,8 lm/W	4000 K	95	11°	E
EO 5084-A LED 700-930	11,2W	717 lumens	63,7 lm/W	3000 K	95	11°	F
EO 5084-A LED 700-935	11,2W	717 lumens	63,7 lm/W	3500 K	95	11°	F
EO 5084-A LED 800-940	11,2W	793 lumens	70,5 lm/W	4000 K	95	11°	E
EO 5084-A LED 900-930	15W	893 lumens	59,3 lm/W	3000 K	95	11°	F
EO 5084-A LED 900-935	15W	893 lumens	59,3 lm/W	3500 K	95	11°	F
EO 5084-A LED 1000-940	15W	987 lumens	65,5 lm/W	4000 K	95	11°	E
EO 5084-A LED 800-930	8,6W	787 lumens	91,2 lm/W	3000 K	95	15°/25°/35°	E
EO 5084-A LED 800-935	8,6W	828 lumens	96 lm/W	3500 K	95	15°/25°/35°	D
EO 5084-A LED 850-940	8,6W	854 lumens	99 lm/W	4000 K	95	15°/25°/35°	D
EO 5084-A LED 950-930	11W	965 lumens	87,7 lm/W	3000 K	95	15°/25°/35°	E
EO 5084-A LED 1000-935	11W	1015 lumens	92,3 lm/W	3500 K	95	15°/25°/35°	D
EO 5084-A LED 1050-940	11W	1047 lumens	95,2 lm/W	4000 K	95	15°/25°/35°	D
EO 5084-A LED 1250-930	16W	1248 lumens	78 lm/W	3000 K	95	15°/25°/35°	E
EO 5084-A LED 1300-935	16W	1312 lumens	82 lm/W	3500 K	95	15°/25°/35°	D
EO 5084-A LED 1350-940	16W	1354 lumens	84,6 lm/W	4000 K	95	15°/25°/35°	D
EO 5084-A LED 1400-930	17,1W	1381 lumens	80,6 lm/W	3000 K	95	15°/25°/35°	E
EO 5084-A LED 1450-935	17,1W	1452 lumens	84,8 lm/W	3500 K	95	15°/25°/35°	D
EO 5084-A LED 1500-940	17,1W	1498 lumens	87,5 lm/W	4000 K	95	15°/25°/35°	D

EO 5084-B LED ROUND



ORIENTABLE AND ADJUSTABLE . LED

- Recessed orientable spotlight for LED SPOT module, maximum 1 498 lumens
- CRI of 95
- MacAdam Ellipse : 2 SDCM
- Available in 3 000 K, 3 500 K and 4 000 K
- 50 000 hours lamp life (L80B10)
- Luminous efficiency of system up to 99 lm/W
- Springs in pressure for easier installation
- Screwed fastening device with height adjustement for installation in gypsum board (13 or 26mm)
- Cast aluminum flange
- Static heat sink
- **Weight** : Approx. 1 kg
- **Driver(s)** : Fixed, Dimmable DALI
- **Option(s)** : Elliptical optic, honeycomb, plenum cover

Driver(s)



Standards

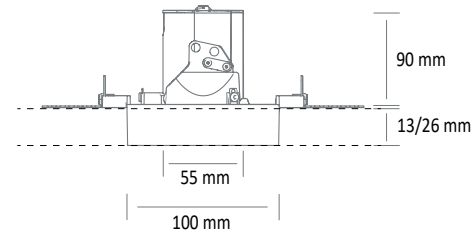
Class II | IP 20 | 650°

Beam(s)



See table

Dimensions



EO 5084-B LED SQUARE



ORIENTABLE AND ADJUSTABLE . LED

- Recessed orientable spotlight for LED SPOT module, maximum 1 498 lumens
- CRI of 95
- MacAdam Ellipse : 2 SDCM
- Available in 3 000 K, 3 500 K and 4 000 K
- 50 000 hours lamp life (L80B10)
- Luminous efficiency of system up to 99 lm/W
- Springs in pressure for easier installation
- Screwed fastening device with height adjustement for installation in gypsum board (13 or 26mm)
- Cast aluminum flange
- Static heat sink
- **Weight** : Approx. 1 kg
- **Driver(s)** : Fixed, Dimmable DALI
- **Option(s)** : Elliptical optic, honeycomb, plenum cover

Driver(s)



Standards

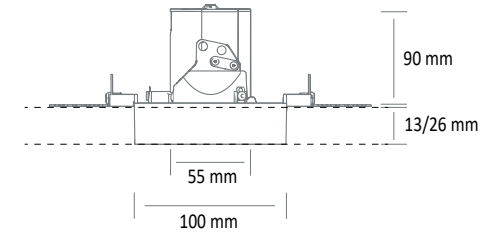
Class II | IP 20 | 650°

Beam(s)



See table

Dimensions



ITEM	CONSUMPTION	LUMINOUS FLUX	SYSTEM EFFICIENCY	COLOUR TEMPERATURE	CRI	BEAMS	EFFICIENCY ENERGY CLASS
EO 5084-B LED 600-930	8,7W	600 lumens	68,6 lm/W	3000 K	95	11°	F
EO 5084-B LED 600-935	8,7W	600 lumens	68,6 lm/W	3500 K	95	11°	F
EO 5084-B LED 650-940	8,7W	663 lumens	75,8 lm/W	4000 K	95	11°	E
EO 5084-B LED 700-930	11,2W	717 lumens	63,7 lm/W	3000 K	95	11°	F
EO 5084-B LED 700-935	11,2W	717 lumens	63,7 lm/W	3500 K	95	11°	F
EO 5084-B LED 800-940	11,2W	793 lumens	70,5 lm/W	4000 K	95	11°	E
EO 5084-B LED 900-930	15W	893 lumens	59,3 lm/W	3000 K	95	11°	F
EO 5084-B LED 900-935	15W	893 lumens	59,3 lm/W	3500 K	95	11°	F
EO 5084-B LED 1000-940	15W	987 lumens	65,5 lm/W	4000 K	95	11°	E
EO 5084-B LED 800-930	8,6W	787 lumens	91,2 lm/W	3000 K	95	15°/25°/35°	E
EO 5084-B LED 800-935	8,6W	828 lumens	96 lm/W	3500 K	95	15°/25°/35°	D
EO 5084-B LED 850-940	8,6W	854 lumens	99 lm/W	4000 K	95	15°/25°/35°	D
EO 5084-B LED 950-930	11W	965 lumens	87,7 lm/W	3000 K	95	15°/25°/35°	E
EO 5084-B LED 1000-935	11W	1015 lumens	92,3 lm/W	3500 K	95	15°/25°/35°	D
EO 5084-B LED 1050-940	11W	1047 lumens	95,2 lm/W	4000 K	95	15°/25°/35°	D
EO 5084-B LED 1250-930	16W	1248 lumens	78 lm/W	3000 K	95	15°/25°/35°	E
EO 5084-B LED 1300-935	16W	1312 lumens	82 lm/W	3500 K	95	15°/25°/35°	D
EO 5084-B LED 1350-940	16W	1354 lumens	84,6 lm/W	4000 K	95	15°/25°/35°	D
EO 5084-B LED 1400-930	17,1W	1381 lumens	80,6 lm/W	3000 K	95	15°/25°/35°	E
EO 5084-B LED 1450-935	17,1W	1452 lumens	84,8 lm/W	3500 K	95	15°/25°/35°	D
EO 5084-B LED 1500-940	17,1W	1498 lumens	87,5 lm/W	4000 K	95	15°/25°/35°	D

ITEM	CONSUMPTION	LUMINOUS FLUX	SYSTEM EFFICIENCY	COLOUR TEMPERATURE	CRI	BEAMS	EFFICIENCY ENERGY CLASS
EO 5084-B LED 600-930	8,7W	600 lumens	68,6 lm/W	3000 K	95	11°	F
EO 5084-B LED 600-935	8,7W	600 lumens	68,6 lm/W	3500 K	95	11°	F
EO 5084-B LED 650-940	8,7W	663 lumens	75,8 lm/W	4000 K	95	11°	E
EO 5084-B LED 700-930	11,2W	717 lumens	63,7 lm/W	3000 K	95	11°	F
EO 5084-B LED 700-935	11,2W	717 lumens	63,7 lm/W	3500 K	95	11°	F
EO 5084-B LED 800-940	11,2W	793 lumens	70,5 lm/W	4000 K	95	11°	E
EO 5084-B LED 900-930	15W	893 lumens	59,3 lm/W	3000 K	95	11°	F
EO 5084-B LED 900-935	15W	893 lumens	59,3 lm/W	3500 K	95	11°	F
EO 5084-B LED 1000-940	15W	987 lumens	65,5 lm/W	4000 K	95	11°	E
EO 5084-B LED 800-930	8,6W	787 lumens	91,2 lm/W	3000 K	95	15°/25°/35°	E
EO 5084-B LED 800-935	8,6W	828 lumens	96 lm/W	3500 K	95	15°/25°/35°	D
EO 5084-B LED 850-940	8,6W	854 lumens	99 lm/W	4000 K	95	15°/25°/35°	D
EO 5084-B LED 950-930	11W	965 lumens	87,7 lm/W	3000 K	95	15°/25°/35°	E
EO 5084-B LED 1000-935	11W	1015 lumens	92,3 lm/W	3500 K	95	15°/25°/35°	D
EO 5084-B LED 1050-940	11W	1047 lumens	95,2 lm/W	4000 K	95	15°/25°/35°	D
EO 5084-B LED 1250-930	16W	1248 lumens	78 lm/W	3000 K	95	15°/25°/35°	E
EO 5084-B LED 1300-935	16W	1312 lumens	82 lm/W	3500 K	95	15°/25°/35°	D
EO 5084-B LED 1350-940	16W	1354 lumens	84,6 lm/W	4000 K	95	15°/25°/35°	D
EO 5084-B LED 1400-930	17,1W	1381 lumens	80,6 lm/W	3000 K	95	15°/25°/35°	E
EO 5084-B LED 1450-935	17,1W	1452 lumens	84,8 lm/W	3500 K	95	15°/25°/35°	D
EO 5084-B LED 1500-940	17,1W	1498 lumens	87,5 lm/W	4000 K	95	15°/25°/35°	D

DOWNLIGHTS





DL 5140-A LED



Ø110 mm



DOWNLIGHTS LED

- Recessed downlight for LED SPOT module, maximum 3 390 lumens
- CRI of 90
- MacAdam Ellipse : 2 SDCM
- Available in 2 700 K, 3 000 K, 3 500 K et 4 000 K
- 50 000 hours lamp life (L80B10)
- Luminous efficiency of system up to 152,5 lm/W
- Adjustable brackets for easier installation
- Spun aluminum sleeve
- Aluminium reflective optics
- **Weight** : Approx. 1 kg
- **Driver(s)** : Fixed, Dimmable DALI, Casambi, Connect
- **Option(s)** : Fast connector (CORD)
- Photobiological risk group 1

Driver(s)



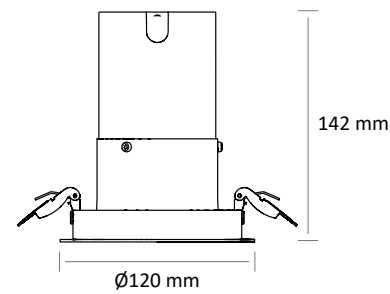
Standards

Class I | IP 20 | 650° | RG1

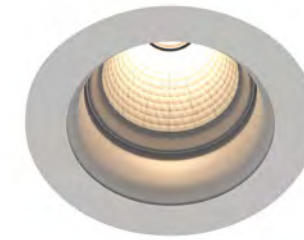
Beam(s)



Dimensions



DL 5140-A ICOB LED



Ø110 mm



DOWNLIGHTS LED

- Recessed downlight for LED SPOT module, maximum 2 784 lumens
- CRI of 90
- MacAdam Ellipse : 2 SDCM
- Available in 3 000 K, 3 500 K et 4 000 K
- 50 000 hours lamp life (L80B10)
- Luminous efficiency of system up to 144,3 lm/W
- Adjustable brackets for easier installation
- Spun aluminum sleeve
- Aluminium reflective optics
- **Weight** : Approx. 1 kg
- **Driver(s)** : Fixed, Dimmable DALI, Casambi, Connect
- **Option(s)** : Fast connector (CORD)
- Photobiological risk group 1

Driver(s)



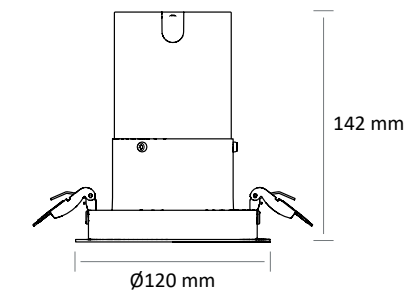
Standards

Class I | IP 20 | 650° | RG1

Beam(s)

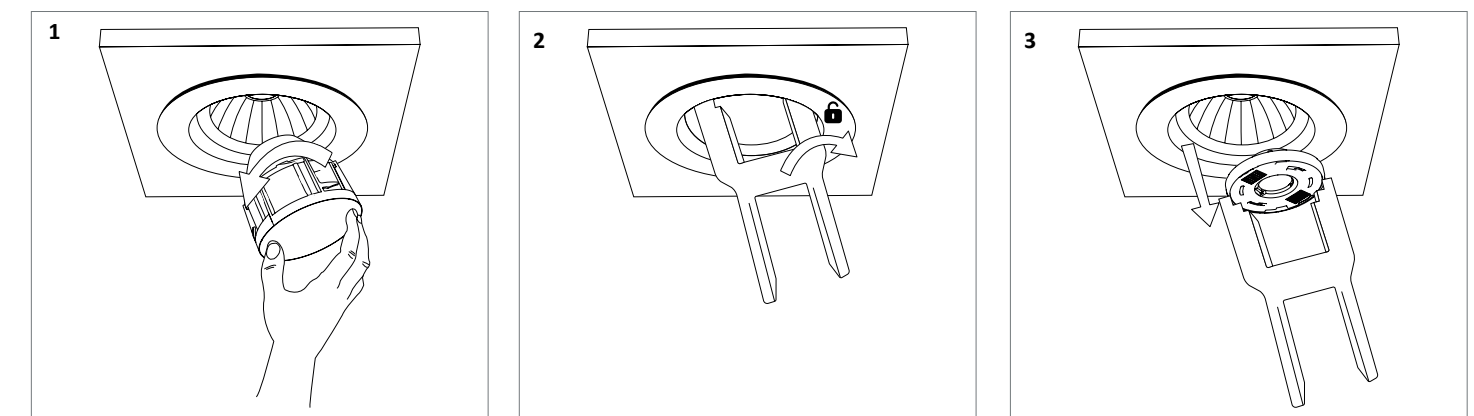


Dimensions



A product equipped with ICOB technology is provided with a mechanism enable to change the module on the GH36d-4 socket by a simple quarter-turn rotation.

ICOB version



High efficiency performance of the components (HE) CRI 90 with R9>80

ITEM	POWER	CONSUMPTION	LUMINOUS FLUX	SYSTEM EFFICIENCY	COLOUR TEMPERATURE	CRI	EFFICIENCY ENERGY CLASS
DL 5140-A LED ICOB HE 2800-930	16,6 W	19,3 W	2771 lumens	143,6 lm/W	3000 K	90	E
DL 5140-A LED ICOB HE 2800-935	16,6 W	19,3 W	2752 lumens	142,6 lm/W	3500 K	90	E
DL 5140-A LED ICOB HE 3000-940	16,6 W	19,3 W	2784 lumens	144,3 lm/W	4000 K	90	E

Performance of specialized lighting modules

ITEM	SECTION	POWER	CONSUMPTION	LUMINOUS FLUX	SYSTEM EFFICIENCY	COLOUR TEMPERATURE	CRI	EFFICIENCY ENERGY CLASS
DL 5140-A LED 3500-927	Bakery	24 W	27,9 W	3480 lumens	124,7 lm/W	2700 K	90	-
DL 5140-A LED 2300-930	Butchery	23,7 W	26,3 W	2297 lumens	87,2 lm/W	3000 K	90	-

High efficiency performance of the components (HE) CRI 90 with R9>80

ITEM	POWER	CONSUMPTION	LUMINOUS FLUX	SYSTEM EFFICIENCY	COLOUR TEMPERATURE	CRI	EFFICIENCY ENERGY CLASS
DL 5140-A LED HE 3000-930	16,7 W	19,4 W	2956 lumens	152,2 lm/W	3000 K	90	E
DL 5140-A LED HE 3000-935	16,7 W	19,4 W	2937 lumens	151,2 lm/W	3500 K	90	E
DL 5140-A LED HE 3000-940	16,7 W	19,4 W	2961 lumens	152,5 lm/W	4000 K	90	E
DL 5140-A LED HE 4000-930	24 W	27,9 W	3924 lumens	140,6 lm/W	3000 K	90	E
DL 5140-A LED HE 4000-935	24 W	27,9 W	3899 lumens	139,7 lm/W	3000 K	90	E
DL 5140-A LED HE 4000-940	24 W	27,9 W	3930 lumens	140,8 lm/W	4000 K	90	E

DL 3806 LED



Colour(s)



142x142 mm



DOWNLIGHTS LED

- Square recessed low luminance downlight for LED DOWNLIGHT module, maximum 5 000 lumens
- CRI of 80
- MacAdam Ellipse : 3 SDCM
- High output reflector, made of Miro 4 Silver aluminium
- Available in 3 000 K and 4 000 K
- 50 000 hours lamp life (L70B50)
- Luminous efficiency of system up to 90 lm/W
- Springs in pressure for easier installation
- Housing made of die-cast alloy
- Static heat sink made of die-cast aluminium
- **Weight** : 1,5 kg
- **Driver(s)** : Fixed, Dimmable DALI
- **Option(s)** : Fast connector (CORD), Safety glass IP 44

Driver(s)



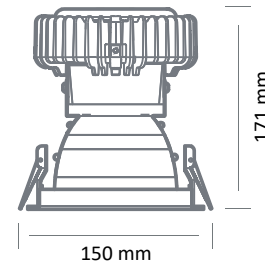
Standards

Class I | IP 20 | 650°

Beam(s)



Dimensions



DL 2126 LED



Colour(s)



Ø155 mm



DOWNLIGHTS LED

- Circular recessed low luminance downlight for LED DOWNLIGHT module, maximum 7 700 lumens
- CRI of 80 and 90
- MacAdam Ellipse: 2 SDCM
- High output reflector, made of faceted anodized aluminium (FAC)
- Available in 3 000 K and 4 000 K
- 50 000 hours lamp life (L80B10)
- Luminous efficiency of system up to 166,6 lm/W
- Springs in pressure for easier installation
- Housing and ring made of powder die-cast aluminium
- Static heat sink made of die-cast aluminium
- **Weight** : 1 kg
- **Driver(s)** : Fixed, Dimmable DALI
- **Option(s)** : Fast connector (CORD)

Driver(s)



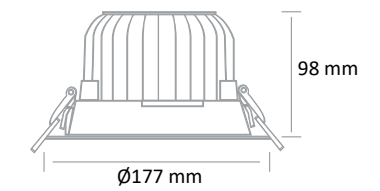
Standards

Class I | IP 20 | 650°

Beam(s)



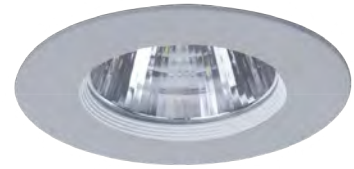
Dimensions



ITEM	POWER	CONSUMPTION	LUMINOUS FLUX	SYSTEM EFFICIENCY	COLOUR TEMPERATURE	CRI	EFFICIENCY ENERGY CLASS
DL 3806 LED 1100-830	12,5W	14W	1100 lumens	80 lm/W	3000 K	80	E
DL 3806 LED 1100-840	11W	12,5W	1100 lumens	89,5 lm/W	4000 K	80	D
DL 3806 LED 2000-830	22W	24,5W	2000 lumens	81 lm/W	3000 K	80	E
DL 3806 LED 2000-840	20W	22,5W	2000 lumens	89,5 lm/W	4000 K	80	D
DL 3806 LED 3000-830	33W	37W	3000 lumens	81,5 lm/W	3000 K	80	E
DL 3806 LED 3000-840	30W	33,5W	3000 lumens	90 lm/W	4000 K	80	D
DL 3806 LED 5000-830	56W	62W	5000 lumens	80,5 lm/W	3000 K	80	E
DL 3806 LED 5000-840	50,5W	56,5W	5000 lumens	89 lm/W	4000 K	80	D

ITEM	CONSUMPTION	LUMINOUS FLUX	SYSTEM EFFICIENCY	COLOUR TEMPERATURE	CRI	BEAM	EFFICIENCY ENERGY CLASS
DL 2126 LED 2000-930	14W	1918 lumens	137,9 lm/W	3000 K	90	B	D
DL 2126 LED 2000-940	14W	2016 lumens	145 lm/W	4000 K	90	B	D
DL 2126 LED 3000-830	21W	3025 lumens	144 lm/W	3000 K	80	B	D
DL 2126 LED 3000-840	21W	3175 lumens	151,2 lm/W	4000 K	80	B	D
DL 2126 LED 3500-930	25,4W	3434 lumens	135,2 lm/W	3000 K	90	B	D
DL 2126 LED 3500-940	25,4W	3629 lumens	142,9 lm/W	4000 K	90	B	D
DL 2126 LED 4000-830	34W	4275 lumens	158,3 lm/W	3000 K	80	B	D
DL 2126 LED 4000-840	34W	4500 lumens	166,6 lm/W	4000 K	80	B	D
DL 2126 LED 4000-930	31,7 W	4143 lumens	130,4 lm/W	3000 K	90	B	D
DL 2126 LED 4000-940	29,4 W	4139 lumens	140,6 lm/W	4000 K	90	B	D
DL 2126 LED 5000-830	43W	5075 lumens	118 lm/W	3000 K	80	B	D
DL 2126 LED 5000-840	43W	5350 lumens	124,4 lm/W	4000 K	80	B	D
DL 2126 LED 5500-930	41,8W	5262 lumens	125,9 lm/W	3000 K	90	B	D
DL 2126 LED 5500-940	41,8W	5592 lumens	133,8 lm/W	4000 K	90	B	D
DL 2126 LED 7500-830	55W	7325 lumens	133,1 lm/W	3000 K	80	A	D
DL 2126 LED 7500-840	55W	7700 lumens	140 lm/W	4000 K	80	A	D

DL 2380 LED



Colour(s)



Ø110 mm



DOWNLIGHTS LED

- Circular recessed orientable spotlight for LED SPOT module, maximum 3 629 lumens
- CRI of 80 or 90
- MacAdam Ellipse : 2 SDCM
- Available in 3 000 K and 4 000 K
- 50 000 hours lamp life (L80B10)
- Luminous efficiency of system up to 147,9 lm/W
- Springs in pressure for easier installation
- Static heat sink
- **Driver(s):** Fixed, Dimmable driver DALI
- **Option(s):** Fast connector (CORD)

Driver(s)



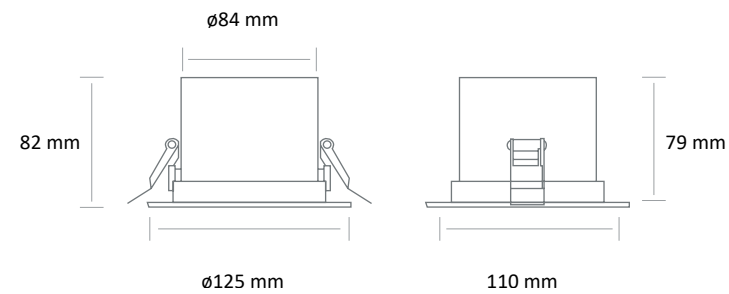
Standards

Class I | IP 20 | 650°

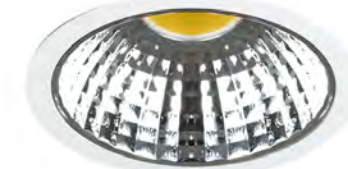
Beam(s)



Dimensions



DL 2380 LED



Colour(s)



Ø155 mm



DOWNLIGHTS LED

- Circular recessed low luminance downlight for LED DOWNLIGHT module, maximum 5 000 lumens
- MacAdam Ellipse : 3 SDCM
- High output reflector, made of faceted anodized aluminium (FAC)
- Available in 3 000 K and 4 000 K
- 50 000 hours lamp life (L80B50)
- Luminous efficiency of system up to 91 lm/W
- Adjustable brackets for easier installation
- Housing made of painted steel
- Ring made of die-cast aluminium
- Static heat sink made of die-cast aluminium
- **Weight :** 1,7 kg
- **Driver(s) :** Fixed, Dimmable DALI
- **Option(s) :** Fast connector (CORD)

Driver(s)



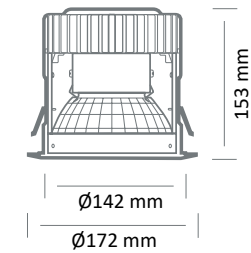
Standards

Class I | IP 20 | 650°

Beam(s)



Dimensions



ITEM	CONSUMPTION	LUMINOUS FLUX	SYSTEM EFFICIENCY	COLOUR TEMPERATURE	CRI	EFFICIENCY ENERGY CLASS
DL 2180 LED 1400-830	10W	1400 lumens	140 lm/W	3000 K	80	D
DL 2180 LED 1400-840	10W	1450 lumens	145 lm/W	4000 K	80	D
DL 2180 LED 1800-830	12W	1725 lumens	143,7 lm/W	3000 K	80	D
DL 2180 LED 1800-840	12W	1775 lumens	147,9 lm/W	4000 K	80	D
DL 2180 LED 2000-930	14W	1918 lumens	137,9 lm/W	3000 K	90	D
DL 2180 LED 2000-940	14W	2016 lumens	145 lm/W	4000 K	90	D
DL 2180 LED 2500-830	17W	2425 lumens	142,6 lm/W	3000 K	80	D
DL 2180 LED 2500-840	17W	2500 lumens	147 lm/W	4000 K	80	D
DL 2180 LED 3500-930	25,4W	3434 lumens	135,2 lm/W	3000 K	90	D
DL 2180 LED 3500-940	25,4W	3629 lumens	142,9 lm/W	4000 K	90	D

ITEM	POWER	CONSUMPTION	LUMINOUS FLUX	SYSTEM EFFICIENCY	COLOUR TEMPERATURE	CRI	EFFICIENCY ENERGY CLASS
DL 2380 LED 1100-830	13,5W	16,5W	1100 lumens	66,5 lm/W	3000 K	80	E
DL 2380 LED 1100-840	10,5W	13,2W	1100 lumens	83,5 lm/W	4000 K	80	D
DL 2380 LED 2000-830	22W	25,8W	2000 lumens	77,5 lm/W	3000 K	80	E
DL 2380 LED 2000-840	19,6W	23,6W	2000 lumens	85 lm/W	4000 K	80	D
DL 2380 LED 3000-830	32W	36,8W	3000 lumens	81,5 lm/W	3000 K	80	E
DL 2380 LED 3000-840	28,6W	33W	3000 lumens	91 lm/W	4000 K	80	D
DL 2380 LED 5000-830	53,8W	61,2W	5000 lumens	81,5 lm/W	3000 K	80	E
DL 2380 LED 5000-840	50,5W	57,4W	5000 lumens	87 lm/W	4000 K	80	D

DL 2583 LED



Colour(s)



Ø62 mm



DOWNLIGHTS ■ LED

- Circular recessed downlight for LED DOWNLIGHT module, maximum 960 lumens
- CRI of 90
- MacAdam Ellipse : 3 SDCM
- Available in 3 000 K and 4 000 K
- 50 000 hours lamp life (L80B20)
- Luminous efficiency of system up to 142 lm/W
- Springs in pressure for easier installation
- White matt aluminium reflector
- Static heat sink
- **Driver(s)** : Fixed, Dimmable DALI
- **Option(s)** : IP54 bezel (underside)

Driver(s)



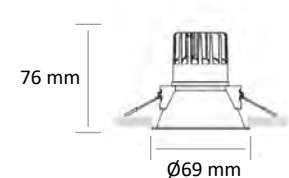
Standards

Class II | IP 20 | 650°

Beam(s)



Dimensions



DL 2584 LED



Colour(s)



Ø75 mm



DOWNLIGHTS ■ LED

- Circular recessed downlight for LED DOWNLIGHT module, maximum 960 lumens
- CRI of 90
- MacAdam Ellipse : 3 SDCM
- Available in 3 000 K and 4 000 K
- 50 000 hours lamp life (L80B20)
- Luminous efficiency of system up to 142 lm/W
- Springs in pressure for easier installation
- White matt aluminium reflector
- Static heat sink
- **Driver(s)** : Fixed, Dimmable DALI
- **Option(s)** : IP54 bezel (underside)

Driver(s)



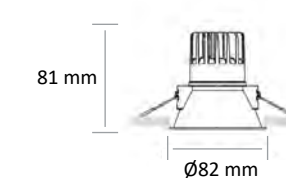
Standards

Class II | IP 20 | 650°

Beam(s)



Dimensions



ITEM	CONSUMPTION	LUMINOUS FLUX	SYSTEM EFFICIENCY	COLOUR TEMPERATURE	CRI	EFFICIENCY ENERGY CLASS
DL 2583 LED 700-930	5W	700 lumens	140 lm/W	3000 K	90	E
DL 2583 LED 700-940	5W	710 lumens	142 lm/W	4000 K	90	E
DL 2583 LED 1000-930	7W	940 lumens	134,9 lm/W	3000 K	90	E
DL 2583 LED 1000-940	7W	960 lumens	137,1 lm/W	4000 K	90	E

ITEM	CONSUMPTION	LUMINOUS FLUX	SYSTEM EFFICIENCY	COLOUR TEMPERATURE	CRI	EFFICIENCY ENERGY CLASS
DL 2584 LED 700-930	5W	700 lumens	140 lm/W	3000 K	90	E
DL 2584 LED 700-940	5W	710 lumens	142 lm/W	4000 K	90	E
DL 2584 LED 1000-930	7W	940 lumens	134,9 lm/W	3000 K	90	E
DL 2584 LED 1000-940	7W	960 lumens	137,1 lm/W	4000 K	90	E

DL 3977 LED



Colour(s)



Ø200 mm



DOWNLIGHTS ■ LED

- Recessed low luminance downlight for LED SPOT module, with a high luminous flux for high-rise installations, maximum 10 164 lumens
- MacAdam Ellipse : 3 SDCM
- CRI of 80
- Faceted aluminium reflector
- Available in 3 000 K and 4 000 K
- 50 000 hours lamp life (L80B10)
- Luminous efficiency of system up to 165 lm/W
- Adjustable brackets for easier installation
- Ring made of of painted steel
- **Weight** : 3,35 kg
- **Driver(s)** : Fixed, Dimmable DALI
- **Option(s)** : Fast connector (CORD)

Driver(s)



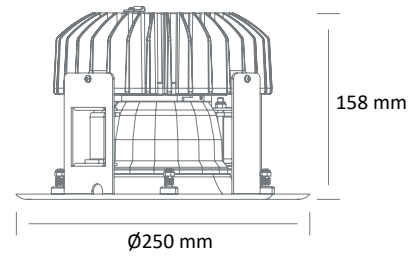
Standards

Class I | IP 20 | 650°

Beam(s)



Dimensions



ITEM	POWER	CONSUMPTION	LUMINOUS FLUX	SYSTEM EFFICIENCY	COLOUR TEMPERATURE	CRI	EFFICIENCY ENERGY CLASS
DL 3977 LED 8000-830	45,3W	49,3W	7691 lumens	156 lm/W	3000 K	80	D
DL 3977 LED 8000-840	45,3W	49,3W	8134 lumens	165 lm/W	4000 K	80	D
DL 3977 LED 10000-830	59W	64W	9630 lumens	150,3 lm/W	3000 K	80	D
DL 3977 LED 10000-840	59W	64W	10164 lumens	158,5 lm/W	4000 K	80	D

DL 2820 LED

MICRO-LENS / REFLECTORS LED

DL 2820 LED

- Recessed luminaire for LINEAR LED module, maximum 2 100 lumens
- CRI of 90
- MacAdam Ellipse : 3 SDCM
- Available in 3 000 K
- 50 000 hours lamp life (L80B10)
- Luminous efficiency of system up to 105 lm/W
- Optic composed of a lens and an individual reflector for each module
- Housing made of painted steel
- Static heat sink
- **Weight** : Approx. 0,05 kg
- **Driver(s)** : Fixed, Dimmable DALI

Driver(s)



Standards

Class III | IP 20 | 650°

Beam(s)

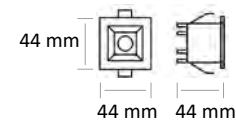


DL 2820 LED 2W

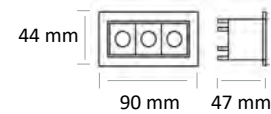
DL 2820 LED 6W

DL 2820 LED 10W

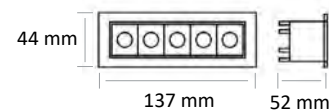
DL 2820 LED 20W



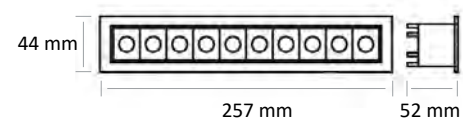
36X36 mm



83X36 mm



130X36 mm



263X36 mm



ITEM	CONSUMPTION	LUMINOUS FLUX	SYSTEM EFFICIENCY	COLOUR TEMPERATURE	CRI
DL 2820 LED 210-930	2W	210 lumens	105 lm/W	3000 K	90
DL 2820 LED 630-930	6W	630 lumens	105 lm/W	3000 K	90
DL 2820 LED 1000-930	10W	1050 lumens	105 lm/W	3000 K	90
DL 2820 LED 2100-930	20W	2100 lumens	105 lm/W	3000 K	90

Colour(s)



DL 2821 LED - TRIMLESS



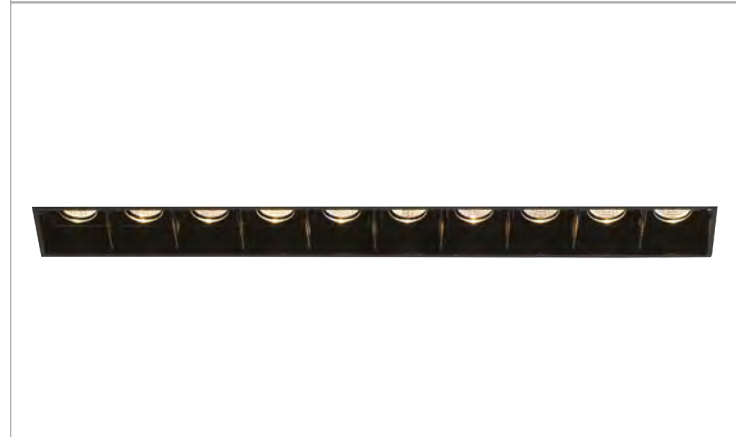
DL 2821 LED - TRIMLESS 2W



DL 2821 LED - TRIMLESS 6W



DL 2821 LED - TRIMLESS 5W

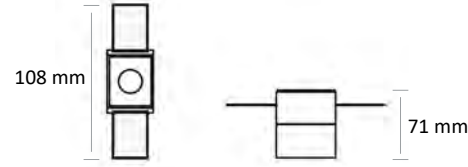


DL 2821 LED - TRIMLESS 20W

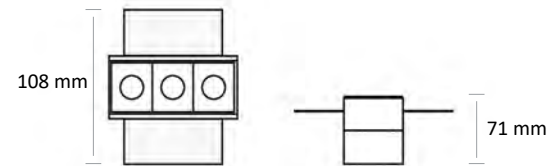
Colour(s)



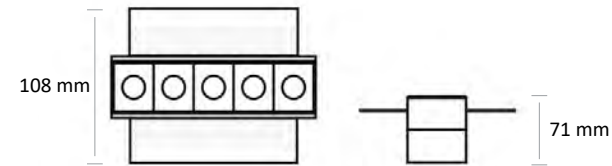
MICRO-LENS / REFLECTORS - LED



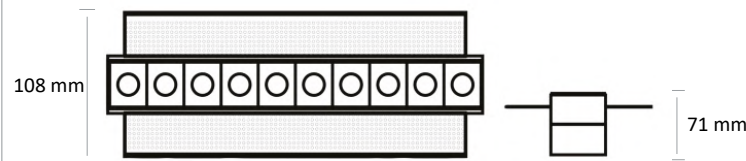
36X36 mm



83X36 mm



130X36 mm



263X36 mm

DL 2821 LED - TRIMLESS

- Recessed luminaire for LINEAR LED module, maximum 2 100 lumens
- CRI of 90
- MacAdam Ellipse : 3 SDCM
- Available in 3 000 K
- 50 000 hours lamp life (L80B10)
- Luminous efficiency of system up to 105 lm/W
- Optic composed of a lens and an individual reflector for each module
- Housing made of painted steel
- Static heat sink
- **Weight** : Approx. 0,05 kg
- **Driver(s)** : Fixed, Dimmable DALI

Driver(s)



Standards

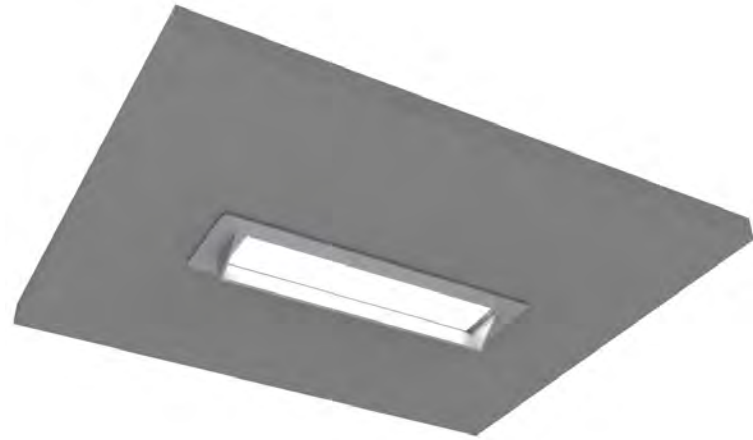
Class III | IP 20 | 650°

Beam(s)



ITEM	CONSUMPTION	LUMINOUS FLUX	SYSTEM EFFICIENCY	COLOUR TEMPERATURE	CRI
DL 2821 LED TRIMLESS 210-930	2W	210 lumens	105 lm/W	3000 K	90
DL 2821 LED TRIMLESS 630-930	6W	630 lumens	105 lm/W	3000 K	90
DL 2821 LED TRIMLESS 1000-930	10W	1050 lumens	105 lm/W	3000 K	90
DL 2821 LED TRIMLESS 2100-930	20W	2100 lumens	105 lm/W	3000 K	90

LE 5225 LED



RECESSED LUMINAIRE ■ LED

- Recessed luminaire for LINEAR LED module, maximum 582 lumens
- CRI of 80
- MacAdam Ellipse : 3 SDCM
- Available in 4 000 K
- 50 000 hours lamp life (L80B10)
- Luminous efficiency of system up to 118,8 lm/W
- Housing made of painted steel
- Static heat sink
- **Weight** : Approx. 0,5 kg
- **Driver(s)** : Fixed, Dimmable DALI

Driver(s)



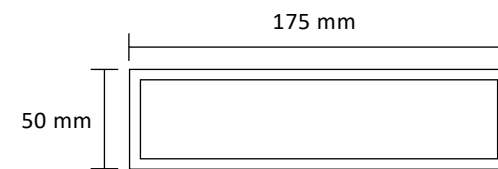
Standards

Class III | IP 20 | 650°

Beam(s)



Dimensions



Colour(s)



35 X 165 mm



ITEM	CONSUMPTION	LUMINOUS FLUX	SYSTEM EFFICIENCY	COLOUR TEMPERATURE	CRI
LE 5225 LED 600-830	4,9 W	582 lumens	118,8 lm/W	3 000 K	80



GORGES





GR 5140 LED



Couleur(s)

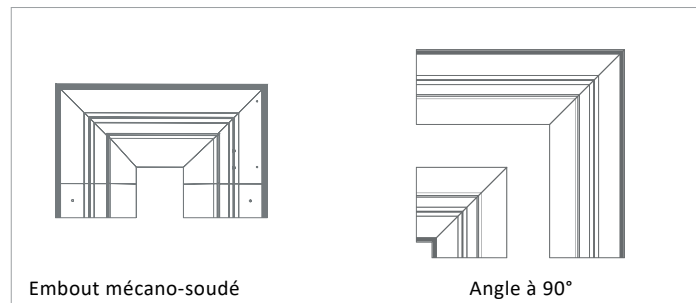
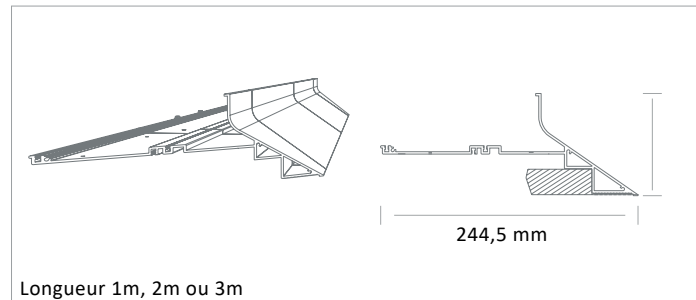


SYSTÈME DE GORGES ■ LED

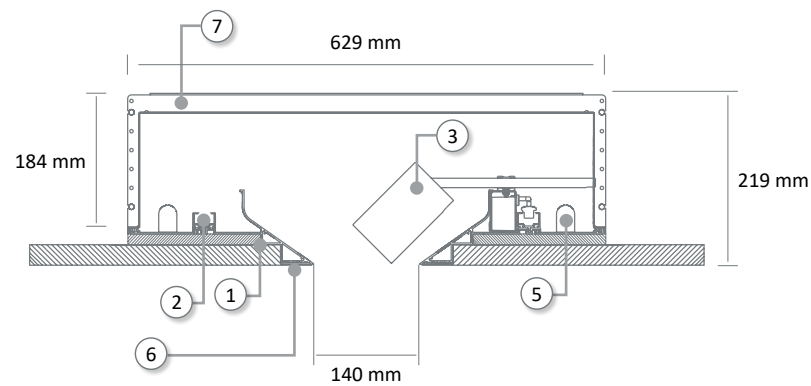
Système de gorge d'éclairage architectural, sans cornière visible, intégrant des projecteurs orientables LED. Le système comprend :

- Les cornières en profilé d'aluminium extrudé, (longueur 1m, 2m ou 3m)
- Les rails 1 allumage blancs ou noirs (longueur 1m, 2m, 3m, 4m) et accessoires
- Les projecteurs d'accentuation PR 5140-A LED GORGE, PR 5140-A LED ICOB GORGE-A gorge ICOB, PR 5140-B LED GORGE, PR 5140-B LED ICOB GORGE et PR 5140-C LED GORGE
- Le rétro-éclairage (en option) par réglettes lumineuses RG 2509 LED
- Accessoire(s) : Embout mécano-soudé, angle à 90°

PROFIL D'ALUMINIUM

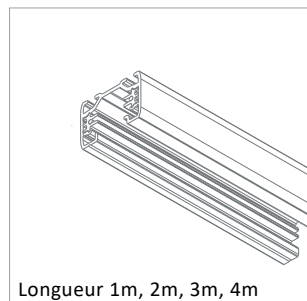


Dimensions

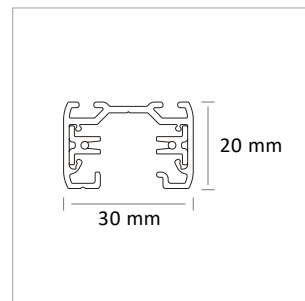


- ① Cornière en profilé d'aluminium
- ② Rail simple allumage
- ③ Projecteur PR 5140 LED
- ⑤ Rétroéclairage par réglette LED (en option)
- ⑥ Enduit de finition
- ⑦ Caisson (en option)

RAIL 1 ALLUMAGE



Longueur 1m, 2m, 3m, 4m



PR 5140-A LED GORGE



LED PROJECTORS

- Orientable projector for LED SPOT, maximum 3 930 lumens
- CRI of 90
- MacAdam Ellipse : 2 SDCM
- Available in 3 000 K, 3 500 K and 4 000 K
- 50 000 hours lamp life (L80B10)
- Luminous efficiency of system up to 152,5 lm/W
- 3-circuits track adaptor with integrated driver
- Head of spot made of die-cast aluminium
- Aluminium reflective optics
- **Weight** : Approx. 0,9 kg
- **Driver(s)** : Fixed, Dimmable DALI, Casambi, Connect
- **Option(s)** : Elliptical reflector (ELL)
- Photobiological risk group 1

Driver(s)



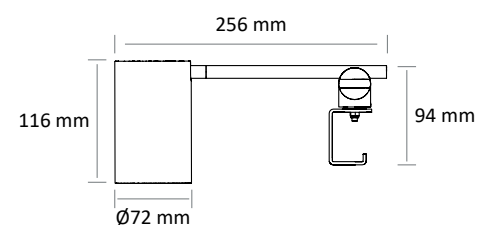
Standards

Class I | IP 20 | 650° | RG1

Beam(s)



Dimensions



PR 5140-A LED ICOb GORGE



LED PROJECTORS

- Orientable projector for LED SPOT, maximum 2 784 lumens
- CRI of 90
- MacAdam Ellipse : 2 SDCM
- Available in 3 000 K, 3 500 K and 4 000 K
- 50 000 hours lamp life (L80B10)
- Luminous efficiency of system up to 144,3 lm/W
- 3-circuits track adaptor with integrated driver
- Head of spot made of die-cast aluminium
- Aluminium reflective optics
- Interchangeable ICOb module
- **Weight** : Approx. 0,9 kg
- **Driver(s)** : Fixed, Dimmable DALI, Casambi, Connect
- **Option(s)** : Elliptical reflector (ELL)
- Photobiological risk group 1

Driver(s)



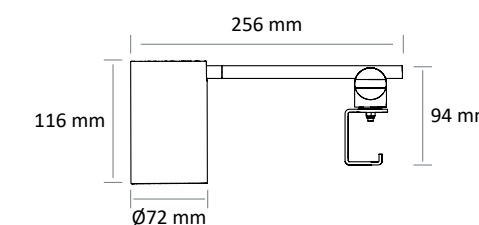
Standards

Class I | IP 20 | 650° | RG1

Beam(s)



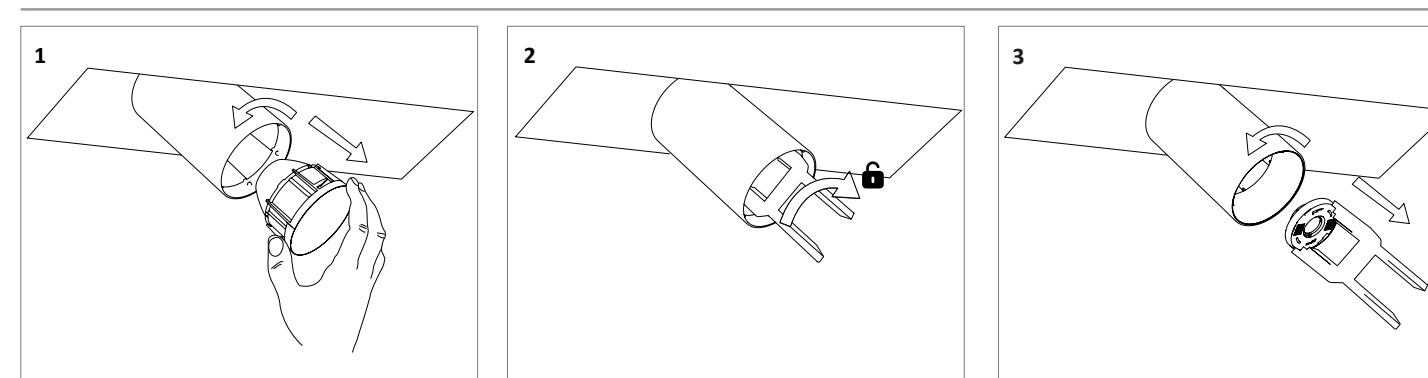
Dimensions



High efficiency performance of the components (HE) CRI 90 with R9>80

ITEM	POWER	CONSUMPTION	LUMINOUS FLUX	SYSTEM EFFICIENCY	COLOUR TEMPERATURE	CRI	EFFICIENCY ENERGY CLASS
PR 5140-A LED GORGE HE 3000-930	16,7W	19,4 W	2956 lumens	152,2 lm/W	3000 K	90	E
PR 5140-A LED GORGE HE 3000-935	16,7W	19,4 W	2937 lumens	152,5 lm/W	3500 K	90	E
PR 5140-A LED GORGE HE 3000-940	16,7W	19,4 W	2961 lumens	152,5 lm/W	4000 K	90	E
PR 5140-A LED GORGE HE 4000-930	24 W	27,9 W	3924 lumens	140,6 lm/W	3000 K	90	E
PR 5140-A LED GORGE HE 4000-935	24 W	27,9 W	3899 lumens	139,7 lm/W	3000 K	90	E
PR 5140-A LED GORGE HE 4000-940	24 W	27,9 W	3930 lumens	140,8 lm/W	4000 K	90	E

ICOb version



High efficiency performance of the components (HE) CRI 90 with R9>80

ITEM	POWER	CONSUMPTION	LUMINOUS FLUX	SYSTEM EFFICIENCY	COLOUR TEMPERATURE	CRI	EFFICIENCY ENERGY CLASS
PR 5140-A LED ICOb GORGE HE 2800-930	16,6 W	19,3 W	2771 lumens	143,6 lm/W	3000 K	90	E
PR 5140-A LED ICOb GORGE HE 2800-935	16,6 W	19,3 W	2752 lumens	142,6 lm/W	3500 K	90	E
PR 5140-A LED ICOb GORGE HE 3000-940	16,6 W	19,3 W	2784 lumens	144,3 lm/W	4000 K	90	E

PR 5140-B LED GORGE



LED PROJECTORS

- Orientable projector for LED SPOT, maximum 3 930 lumens
- CRI of 90
- MacAdam Ellipse : 2 SDCM
- Available in 3 000 K, 3 500 K and 4 000 K
- 50 000 hours lamp life (L80B10)
- Luminous efficiency of system up to 152,5 lm/W
- 3-circuits track adaptor with integrated driver
- Head of spot made of die-cast aluminium
- Deep sheath for an optimal visual comfort
- Polycarbonate lens optics
- **Weight** : Approx. 0,9 kg
- **Driver(s)** : Fixed, Dimmable DALI, Casambi, Connect
- **Option(s)** : Elliptical reflector (ELL)
- Photobiological risk group 1

Driver(s)



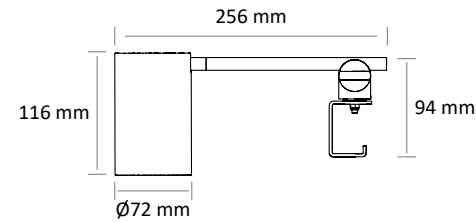
Standards

Class I | IP 20 | 650° | RG1

Beam(s)



Dimensions



PR 5140-B LED ICOB GORGE



LED PROJECTORS

- Orientable projector for LED SPOT, maximum 2 784 lumens
- CRI of 90
- MacAdam Ellipse : 2 SDCM
- Available in 3 000 K, 3 500 K and 4 000 K
- 50 000 hours lamp life (L80B10)
- Luminous efficiency of system up to 144,3 lm/W
- 3-circuits track adaptor with integrated driver
- Head of spot made of die-cast aluminium
- Deep sheath for an optimal visual comfort
- Polycarbonate lens optics
- Interchangeable ICOB module
- **Weight** : Approx. 0,9 kg
- **Driver(s)** : Fixed, Dimmable DALI, Casambi, Connect
- Photobiological risk group 1

Driver(s)



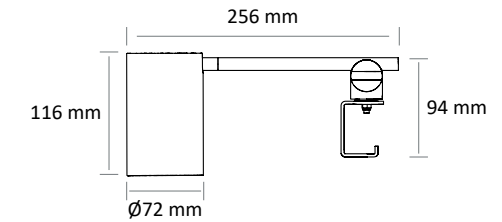
Standards

Class I | IP 20 | 650° | RG1

Beam(s)



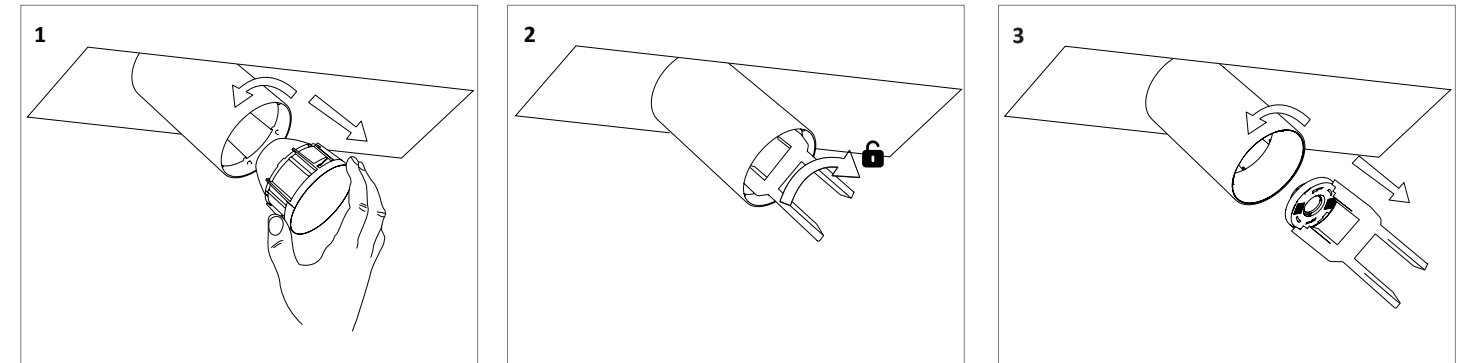
Dimensions



High efficiency performance of the components (HE) CRI 90 with R9>80

ITEM	POWER	CONSUMPTION	LUMINOUS FLUX	SYSTEM EFFICIENCY	COLOUR TEMPERATURE	CRI	EFFICIENCY ENERGY CLASS
PR 5140-B LED GORGE HE 3000-930	16,7 W	19,4 W	2956 lumens	152,2 lm/W	3000 K	90	E
PR 5140-B LED GORGE HE 3000-935	16,7 W	19,4 W	2937 lumens	151,2 lm/W	3500 K	90	E
PR 5140-B LED GORGE HE 3000-940	16,7 W	19,4 W	2961 lumens	152,5 lm/W	4000 K	80	E
PR 5140-B LED GORGE HE 4000-930	24 W	27,9 W	3924 lumens	140,6 lm/W	3000 K	90	E
PR 5140-B LED GORGE HE 4000-935	24 W	27,9 W	3899 lumens	139,7 lm/W	3000 K	90	E
PR 5140-B LED GORGE HE 4000-940	24 W	27,9 W	3930 lumens	140,8 lm/W	4000 K	90	E

ICOB version



High efficiency performance of the components (HE) CRI 90

ITEM	POWER	CONSUMPTION	LUMINOUS FLUX	SYSTEM EFFICIENCY	COLOUR TEMPERATURE	CRI	EFFICIENCY ENERGY CLASS
PR 5140-B LED ICOB GORGE HE 2800-930	16,6 W	19,3 W	2771 lumens	143,6 lm/W	3000 K	90	E
PR 5140-B LED ICOB GORGE HE 2800-935	16,6 W	19,3 W	2752 lumens	142,6 lm/W	3500 K	90	E
PR 5140-B LED ICOB GORGE HE 3000-940	16,6 W	19,3 W	2784 lumens	144,3 lm/W	4000 K	90	E

PR 5140-C LED GORGE



Colour(s)



LED PROJECTORS

- Orientable projector for LED SPOT, maximum 2 400 lumens
- CRI of 95
- MacAdam Ellipse : 2 SDCM
- Available in 3 000 K and 4 000 K
- 50 000 hours lamp life (L80B10)
- Luminous efficiency of system up to 113,8 lm/W
- 3-circuits track adaptor with integrated driver
- Head of spot made of die-cast aluminium
- Silicon lens optics
- **Weight** : Approx. 0,9 kg
- **Driver(s)** : Fixed, Dimmable DALI, Casambi, Connect
- Photobiological risk group 1

Driver(s)



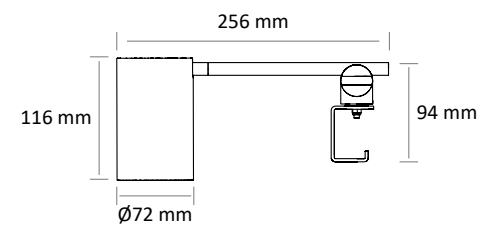
Standards

Class II | IP 20 | 650° | RG0

Beam(s)



Dimensions



ITEM	POWER	CONSUMPTION	LIGHT EMITTING SURFACE	LUMINOUS FLUX	SYSTEM EFFICIENCY	COLOUR TEMPERATURE	CRI	BEAM	EFFICIENCY ENERGY CLASS
PR 5140-C LED GORGE 900-930	13,1 W	15 W	LES4	893 lumens	59,3 lm/W	3000 K	95	7°	F
PR 5140-C LED GORGE 1000-940	13,1 W	15 W	LES4	987 lumens	65,5 lm/W	4000 K	95	7°	E
PR 5140-C LED GORGE 950-930	8,8 W	11 W	LES6	965 lumens	87,7 lm/W	3000 K	95	10°/20°/35°	F
PR 5140-C LED GORGE 1050-940	8,8 W	11 W	LES6	1047 lumens	95,2 lm/W	4000 K	95	10°/20°/35°	D
PR 5140-C LED GORGE 1400-930	14,9 W	17,13 W	LES6	1381 lumens	80,6 lm/W	3000 K	95	10°/20°/35°	F
PR 5140-C LED GORGE 1500-940	14,9 W	17,13 W	LES6	1498 lumens	87,5 lm/W	4000 K	95	10°/20°/35°	D
PR 5140-C LED GORGE 2200-930	21,1 W	24,3 W	LES9	2175 lumens	89,7 lm/W	3000 K	95	15°/20°/35°	E
PR 5140-C LED GORGE 2200-940	21,1 W	24,3 W	LES9	2400 lumens	98,9 lm/W	4000 K	95	15°/20°/35°	E

GR 3530 LED



Colour(s)



GORGES LED

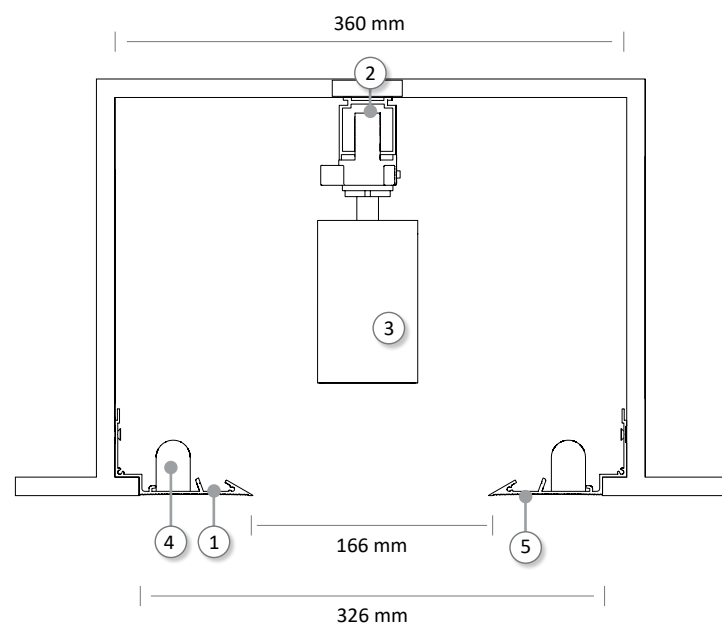
Luminous gorges architectural system, trimless, for orientable LED projectors. The system includes:

- Angles made of extruded aluminium profile (1m, 2m, 3m length)
- White or black 3-circuit tracks (1m, 2m, 3m, 4m length) and accessories
- Accent lighting projectors PR 5084-A LED
- Backlighting with batten LED luminaires RG 2509 (optional)
- **Accessorie(s):** mechanically-welded endcap, 90° angle

Standards

Class I | IP 20 | 650°

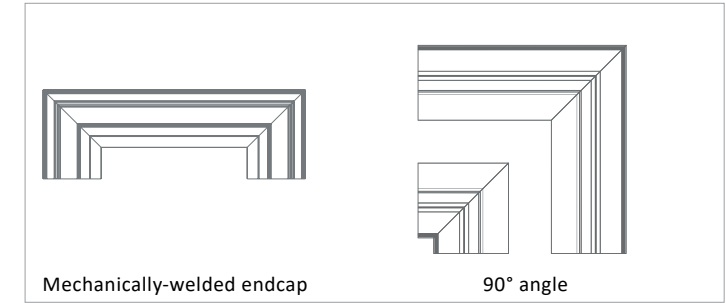
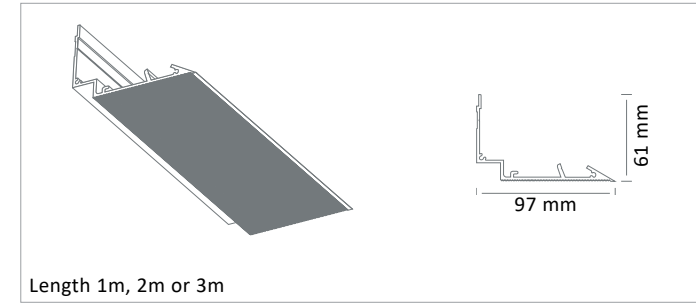
Dimensions



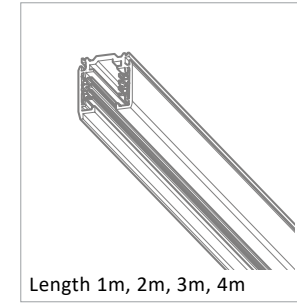
- ① Angle made of extruded aluminium profile
- ② 3-circuit track
- ③ PR 5084-A LED projector
- ④ Backlighting with batten LED luminaire RG 2509 (optional)
- ⑤ Finish coating

GR 3530 LED

ALUMINIUM PROFILE



3 CIRCUIT TRACK



ACCENT LIGHTING - PR 5084-A LED

- Orientable projector for LED SPOT module, maximum 1 498 lumens
- CRI of 95
- MacAdam Ellipse: 2 SDCM
- Available in 3 000 K, 3 500 K and 4 000 K
- 50 000 hours lamp life (L80B10)
- Luminous efficiency of system up to 95,3 lm/W
- 3-circuits track adaptor

- Housing and box made of painted molded plastic
- Static heat sink
- Optical protection clear glass
- **Weight** : Approx. 0,5 kg
- **Driver(s)** : Fixed, Dimmable DALI
- **Option(s)** : Colour filters (FIL)



Driver(s)



Standards

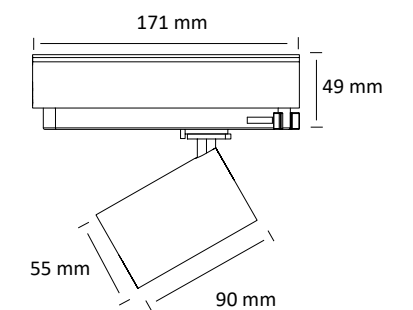
Class I | IP 20 | 650°

Beam(s)



Table below

Dimensions



GR 3530 LED

ITEM	CONSUMPTION	LUMINOUS FLUX	SYSTEM EFFICIENCY	COLOUR TEMPERATURE	CRI	BEAM	DALI OPTION	EFFICIENCY ENERGY CLASS
PR 5084-A LED 600-930	9W	600 lumens	66,4 lm/W	3000 K	95	11°	NO	F
PR 5084-A LED 600-935	9W	600 lumens	66,4 lm/W	3500 K	95	11°	NO	F
PR 5084-A LED 650-940	9W	663 lumens	73,4 lm/W	4000 K	95	11°	NO	E
PR 5084-A LED 700-930	11,2W	717 lumens	63,7 lm/W	3000 K	95	11°	NO	F
PR 5084-A LED 700-935	11,2W	717 lumens	63,7 lm/W	3500 K	95	11°	NO	F
PR 5084-A LED 800-940	11,2W	793 lumens	70,5 lm/W	4000 K	95	11°	NO	E
PR 5084-A LED 900-930	15,9W	893 lumens	55,9 lm/W	3000 K	95	11°	YES	F
PR 5084-A LED 900-935	15,9W	893 lumens	55,9 lm/W	3500 K	95	11°	YES	F
PR 5084-A LED 1000-940	15,9W	987 lumens	61,8 lm/W	4000 K	95	11°	YES	E
PR 5084-A LED 800-930	8,9W	787 lumens	87,8 lm/W	3000 K	95	15°/25°/35°	NO	E
PR 5084-A LED 800-935	8,9W	828 lumens	92,4 lm/W	3500 K	95	15°/25°/35°	NO	D
PR 5084-A LED 850-940	8,9W	854 lumens	95,3 lm/W	4000 K	95	15°/25°/35°	NO	D
PR 5084-A LED 950-930	11W	965 lumens	87,7 lm/W	3000 K	95	15°/25°/35°	NO	E
PR 5084-A LED 1000-935	11W	1015 lumens	92,3 lm/W	3500 K	95	15°/25°/35°	NO	D
PR 5084-A LED 1050-940	11W	1047 lumens	95,2 lm/W	4000 K	95	15°/25°/35°	NO	D
PR 5084-A LED 1250-930	15,4W	1248 lumens	80,9 lm/W	3000 K	95	15°/25°/35°	YES	E
PR 5084-A LED 1300-935	15,4W	1312 lumens	85,1 lm/W	3500 K	95	15°/25°/35°	YES	D
PR 5084-A LED 1350-940	15,4W	1354 lumens	87,8 lm/W	4000 K	95	15°/25°/35°	YES	D
PR 5084-A LED 1400-930	17,9W	1381 lumens	76,9 lm/W	3000 K	95	15°/25°/35°	YES	E
PR 5084-A LED 1450-935	17,9W	1452 lumens	80,9 lm/W	3500 K	95	15°/25°/35°	YES	D
PR 5084-A LED 1500-940	17,9W	1498 lumens	83,4 lm/W	4000 K	95	15°/25°/35°	YES	D

GR 3530 LED

INDIRECT LIGHTING - RG 2509 LED



Colour(s)



Driver(s)



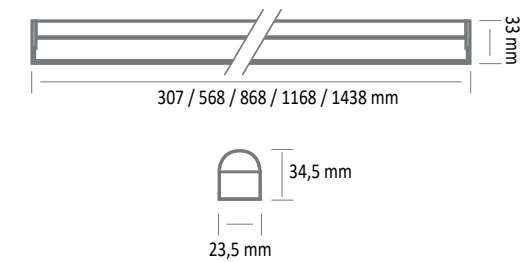
Standards

Class I | IP 20 | 650°

Beam(s)



Dimensions



ITEM	LENGTH (MM)	MAX NUMBER OF BATTEN LUMINAIRES / LINE	POWER	LUMINOUS FLUX	COLOUR TEMPERATURE	CRI
RG 2509 LED 466-840	307	20	5W	466 lumens	4000 K	80
RG 2509 LED 895-840	568	15	9W	895 lumens	4000 K	80
RG 2509 LED 1262-840	868	12	12W	1262 lumens	4000 K	80
RG 2509 LED 1592-840	1168	10	15W	1592 lumens	4000 K	80
RG 2509 LED 1781-840	1438	8	18W	1781 lumens	4000 K	80
RG 2509 LED 425-830	307	20	5W	425 lumens	3000 K	80
RG 2509 LED 837-830	568	15	9W	837 lumens	3000 K	80
RG 2509 LED 1181-830	868	12	12W	1181 lumens	3000 K	80
RG 2509 LED 1491-830	1168	10	15W	1491 lumens	3000 K	80
RG 2509 LED 1734-830	1438	8	18W	1734 lumens	3000 K	80

RECESSED LUMINAIRES





LE PANEL LED 600X600



Colour(s)



RECESSED LUMINAIRES - LED

- Recessed luminaire for LINEAR LED module, maximum 3 500 lumens
- CRI of 80
- MacAdam Ellipse : 4 SDCM
- Available in 4 000 K
- 50 000 hours lamp life (L70B50)
- Luminous efficiency of system up to 109 lm/W
- Housing made of painted steel
- UGR < 19
- Driver(s) : Fixed, Dimmable DALI
- Option(s) : Safety line

Driver(s)



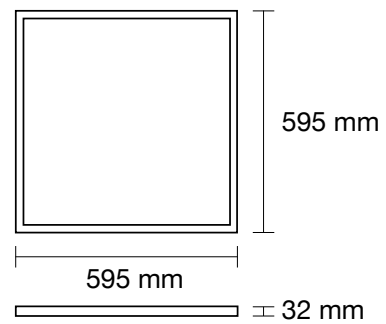
Standards

Class II | IP 20 | IK 02 | 90° | RG0

Beam(s)



Dimensions



LE PANEL LED 1200X300



Colour(s)



RECESSED LUMINAIRES - LED

- Recessed luminaire for LINEAR LED module, maximum 3 600 lumens
- CRI of 80
- MacAdam Ellipse : 4 SDCM
- Manual color temperature selection : 3000 K and 4000 K
- 50 000 hours lamp life (L70B50)
- Luminous efficiency of system up to 112,5 lm/W
- Housing made of painted steel
- UGR < 19
- Driver(s) : Fixed, Dimmable DALI
- Option(s) : Safety line

Driver(s)



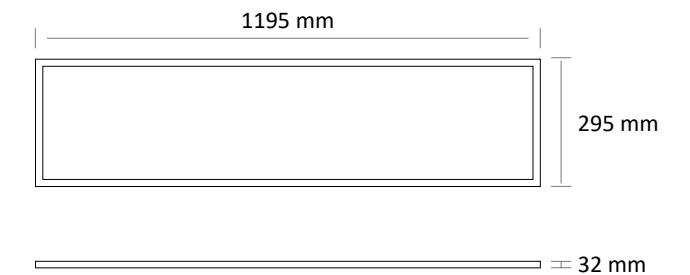
Standards

Class II | IP 20 | IK 02 | 90° | RG0

Beam(s)



Dimensions



ITEM	CONSUMPTION	LUMINOUS FLUX	SYSTEM EFFICIENCY	COLOUR TEMPERATURE	CRI	EFFICIENCY ENERGY CLASS
LE PANEL LED 600x600 3500-840	32W	3500 lumens	109 lm/W	4 000 K	80	C

ITEM	CONSUMPTION	LUMINOUS FLUX	SYSTEM EFFICIENCY	COLOUR TEMPERATURE	CRI	EFFICIENCY ENERGY CLASS
LE PANEL LED 1200x300 3600-840	32W	3600 lumens	112,5 lm/W	3000 - 4000K	80	C

LE 4060 LED



Colour(s)



605x605 mm



RECESSED LUMINAIRE ■ LED

- Recessed luminaire for LINEAR LED module, maximum 7 708 lumens
- CRI of 90
- MacAdam Ellipse : 3 SDCM
- Available in 4 000 K
- 50 000 hours lamp life (L70B50)
- Luminous efficiency of system up to 154,6 lm/W
- Opal diffuser (DO) with frame made of polymethyl methacrylate (PMMA)
- Lay-in (LI) or lay-out (LO)
- Lay-out version proposed with visible frame
- Housing made of white painted steel
- Static heat sink
- **Weight** : Approx. 6,57 kg
- **Included** : Fast connector (CORD)
- **Number of modules** : 2
- **Driver(s)** : Fixed (C Fixed), Dimmable DALI
- **Option(s)** : IP 65 built-in frame, Ready-to-mount kit (security wire, protection film) (KC)

Driver(s)



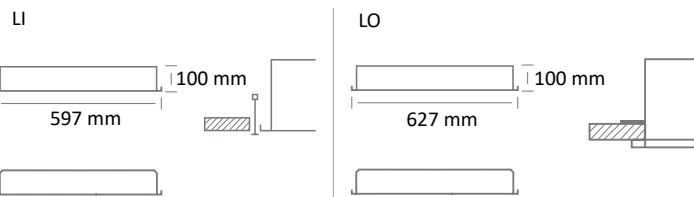
Standards

Class I | IP 20 / IP 65 (cadre) | 850°

Beam(s)

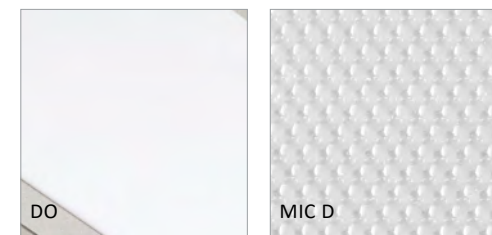


Dimensions



ITEM	MODULE	NB OF MODULE(S)	CONSUMPTION	LUMINOUS FLUX	SYSTEM EFFICIENCY	COLOUR TEMPERATURE	CRI	EFFICIENCY ENERGY CLASS
LE 4060 LED 5000-940	LED SQ	2	32,9W	5092 lumens	154,6 lm/W	4000 K	90	C
LE 4060 LED 6500-940	LED SQ	2	44W	6600 lumens	149,9 lm/W	4000 K	90	C
LE 4060 LED 7800-940	LED SQ	2	51,9W	7708 lumens	148,6 lm/W	4000 K	90	C

Diffuser(s)



CEILING MOUNTED



PL 5140-A LED



Colour(s)



RECESSED LUMINAIRES . LED

- Ceiling mounted luminaire for LED SPOT module, maximum 4 046 lumens
- CRI of 80 or 90
- MacAdam Ellipse : 2 SDCM
- Available in 2 700 K, 3 000 K, 3 500 K, 4 000 K and 5 000 K
- 50 000 hours lamp life (L80B10)
- Luminous efficiency of system up to 163 lm/W
- Aluminium reflective optics
- **Weight** : Approx. 1 kg
- **Driver(s)** : Fixed, Dimmable DALI, Cambi, Connect
- **Option(s)** : Fast connector (CORD)
- Photobiological risk group 1

Driver(s)



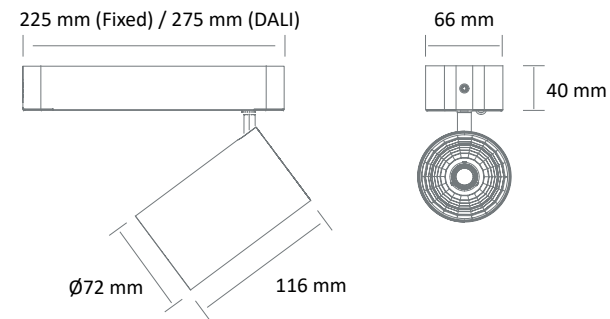
Standards

Class I | IP 20 | 650° | RG1

Beam(s)



Dimensions



PL 5140-A LED ICOB



Colour(s)



RECESSED LUMINAIRES . LED

- Ceiling mounted luminaire for LED SPOT module, maximum 3 751 lumens
- CRI of 90
- MacAdam Ellipse : 2 SDCM
- Available in 3 000 K, 3 500 K and 4 000 K
- 50 000 hours lamp life (L80B10)
- Luminous efficiency of system up to 152,7 lm/W
- Aluminium reflective optics
- **Weight** : Approx. 1 kg
- **Driver(s)** : Fixed, Dimmable DALI, Casambi, Connect
- **Option(s)** : Fast connector (CORD)
- Photobiological risk group 1

Driver(s)



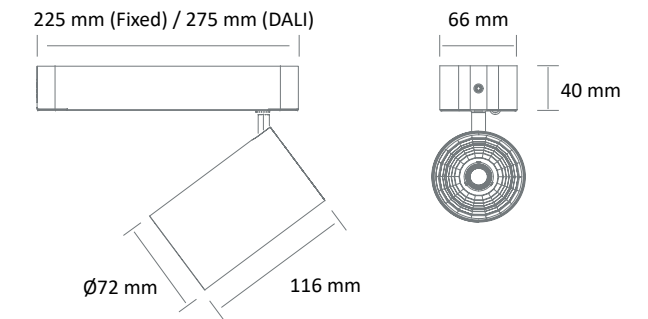
Standards

Class I | IP 20 | 650° | RG1

Beam(s)

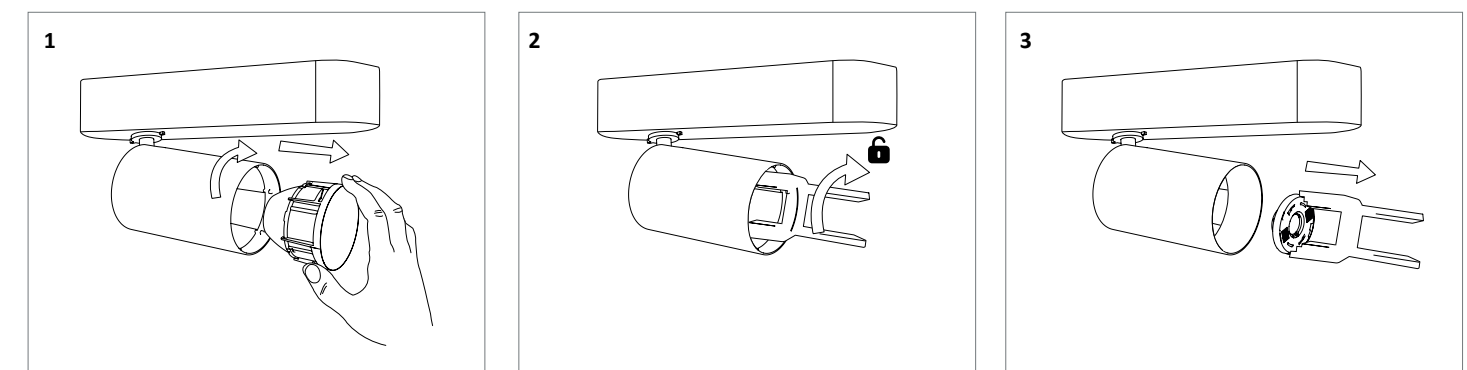


Dimensions



A product equipped with ICOB technology is provided with a mechanism enable to change the module on the GH36d-4 socket by a simple quarter-turn rotation.

ICOB version



High efficiency performance of the components (HE) CRI 90 with R9>80

ITEM	POWER	CONSUMPTION	LUMINOUS FLUX	SYSTEM EFFICIENCY	COLOUR TEMPERATURE	CRI	EFFICIENCY ENERGY CLASS
PL 5140-A LED ICOB HE 2800-930	16,7 W	18,6 W	2829 lumens	152,5 lm/W	3000 K	90	E
PL 5140-A LED ICOB HE 2800-935	16,7 W	18,6 W	2811 lumens	151,5 lm/W	3500 K	90	E
PL 5140-A LED ICOB HE 2800-940	16,7 W	18,6 W	2834 lumens	152,7 lm/W	4000 K	90	E
PL 5140-A LED ICOB HE 3800-930	23,9 W	26,6 W	3745 lumens	141 lm/W	3000 K	90	E
PL 5140-A LED ICOB HE 3800-935	23,9 W	26,6 W	3721 lumens	140,1 lm/W	3500 K	90	E
PL 5140-A LED ICOB HE 3800-940	23,9 W	26,6 W	3751 lumens	141,3 lm/W	4000 K	90	E

Performance of specialized lighting modules

ITEM	SECTION	POWER	CONSUMPTION	LUMINOUS FLUX	SYSTEM EFFICIENCY	COLOUR TEMPERATURE	CRI	EFFICIENCY ENERGY CLASS
PL 5140-A LED 3600-927	Bakery	24,1 W	26,8 W	3567 lumens	133,2 lm/W	2700 K	90	-
PL 5140-A LED 2700-930	Butchery	29,4 W	32,7 W	2733 lumens	83,7 lm/W	3000 K	90	-
PL 5140-A LED 3000-950	Fishmonger's	16,8 W	18,5 W	3015 lumens	163 lm/W	5000 K	90	E
PL 5140-A LED 4000-950	Fishmonger's	24,1 W	26,5 W	4046 lumens	152,7 lm/W	5000 K	90	E

High efficiency performance of the components (HE) CRI 90 with R9>80

ITEM	POWER	CONSUMPTION	LUMINOUS FLUX	SYSTEM EFFICIENCY	COLOUR TEMPERATURE	CRI	EFFICIENCY ENERGY CLASS
PL 5140-A LED HE 3000-930	16,8 W	18,7 W	3010 lumens	161,3 lm/W	3000 K	90	E
PL 5140-A LED HE 3000-935	16,8 W	18,7 W	2991 lumens	160,2 lm/W	3500 K	90	E
PL 5140-A LED HE 3000-940	16,8 W	18,7 W	3015 lumens	161,5 lm/W	4000 K	90	E
PL 5140-A LED HE 4000-930	24,1 W	26,8 W	4016 lumens	150 lm/W	3000 K	90	E
PL 5140-A LED HE 4000-935	24,1 W	26,8 W	3991 lumens	149 lm/W	3500 K	90	E
PL 5140-A LED HE 4000-940	24,1 W	26,8 W	4023 lumens	150,2 lm/W	4000 K	90	E

PL 5140-B LED



Colour(s)



RECESSED LUMINAIRES . LED

- Ceiling mounted luminaire for LED SPOT module, maximum 4 023 lumens
- CRI of 90
- MacAdam Ellipse : 2 SDCM
- Available in 2 700 K, 3 000 K, 3 500K and 4 000 K
- 50 000 hours lamp life (L80B10)
- Luminous efficiency of system up to 161,5 lm/W
- Polycarbonate lens optics
- **Weight** : Approx. 1 kg
- **Driver(s)** : Fixed, Dimmable DALI, Casambi, Connect
- **Option(s)** : Fast connector (CORD)
- Photobiological risk group 1

Driver(s)



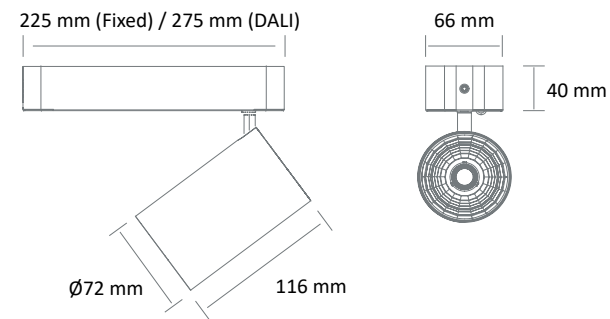
Standards

Class I | IP 20 | 650° | RG1

Beam(s)



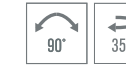
Dimensions



PL 5140-B LED ICOB



Colour(s)



RECESSED LUMINAIRES . LED

- Ceiling mounted luminaire for LED SPOT module, maximum 3 751 lumens
- CRI of 90
- MacAdam Ellipse : 2 SDCM
- Available in 3 000 K, 3 500 K and 4 000 K
- 50 000 hours lamp life (L80B10)
- Luminous efficiency of system up to 152,7 lm/W
- Polycarbonate lens optics
- **Weight** : Approx. 1 kg
- **Driver(s)** : Fixed, Gradation DALI, Casambi, Connect
- **Option(s)** : Fast connector (CORD)
- Photobiological risk group 1

Driver(s)



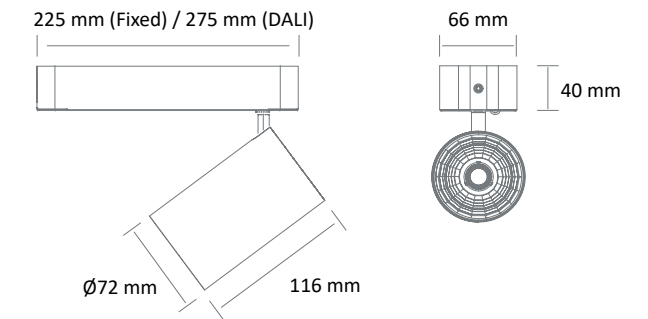
Standards

Class I | IP 20 | 650° | RG1

Beam(s)

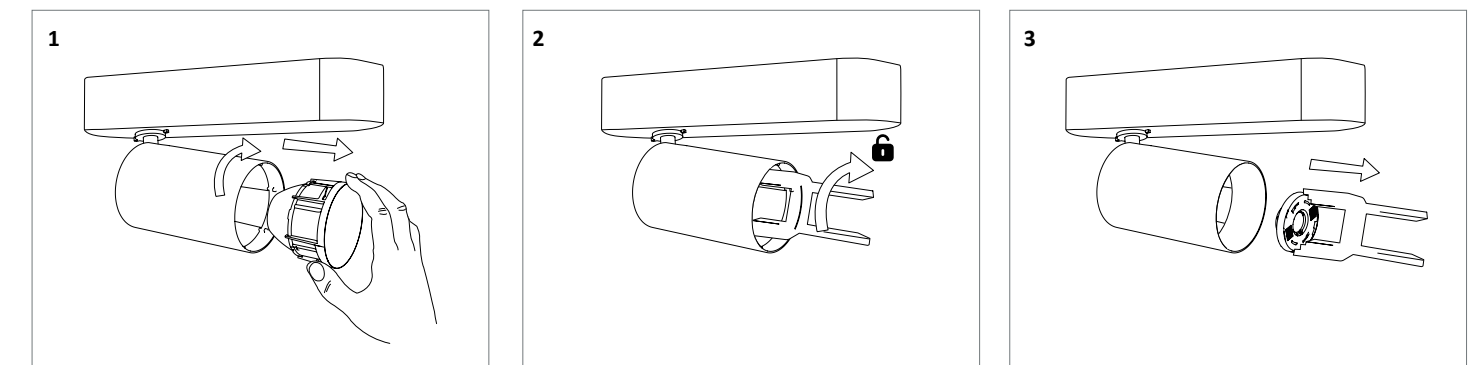


Dimensions



A product equipped with ICOB technology is provided with a mechanism enable to change the module on the GH36d-4 socket by a simple quarter-turn rotation.

ICOB version



High efficiency performance of the components (HE) CRI 90 with R9>80

ITEM	POWER	CONSUMPTION	LUMINOUS FLUX	SYSTEM EFFICIENCY	COLOUR TEMPERATURE	CRI	EFFICIENCY ENERGY CLASS
PL 5140-B LED ICOB HE 2800-930	16,7 W	18,6 W	2829 lumens	152,5 lm/W	3000 K	90	E
PL 5140-B LED ICOB HE 2800-935	16,7 W	18,6 W	2811 lumens	151,5 lm/W	3500 K	90	E
PL 5140-B LED ICOB HE 2800-940	16,7 W	18,6 W	2834 lumens	152,7 lm/W	4000 K	90	E
PL 5140-B LED ICOB HE 3800-930	23,9 W	26,6 W	3745 lumens	141 lm/W	3000 K	90	E
PL 5140-B LED ICOB HE 3800-935	23,9 W	26,6 W	3721 lumens	140,1 lm/W	3500 K	90	E
PL 5140-B LED ICOB HE 3800-940	23,9 W	26,6 W	3751 lumens	141,3 lm/W	4000 K	90	E

High efficiency performance of the components (HE) CRI 90 with R9>80

ITEM	POWER	CONSUMPTION	LUMINOUS FLUX	SYSTEM EFFICIENCY	COLOUR TEMPERATURE	CRI	EFFICIENCY ENERGY CLASS
PL 5140-B LED HE 3000-930	16,8 W	18,7 W	3010 lumens	161,3 lm/W	3000 K	90	E
PL 5140-B LED HE 3000-935	16,8 W	18,7 W	2991 lumens	160,2 lm/W	3500 K	90	E
PL 5140-B LED HE 3000-940	16,8 W	18,7 W	3015 lumens	161,5 lm/W	4000 K	90	E
PL 5140-B LED HE 4000-930	24,1 W	26,8 W	4016 lumens	150 lm/W	3000 K	90	E
PL 5140-B LED HE 4000-935	24,1 W	26,8 W	3991 lumens	149 lm/W	3500 K	90	E
PL 5140-B LED HE 4000-940	24,1 W	26,8 W	4023 lumens	150,2 lm/W	4000 K	90	E

SUSPENDED LUMINAIRES



LS 5177 LED



Colour(s)



SUSPENDED LUMINAIRE LED

- Suspended luminaire for LED module, maximum 20 000 lumens
- CRI of 80
- MacAdam Ellipse : 3 SDCM
- Available in 3 000 K et 4 000 K
- 50 000 hours lamp life (L80B20)
- Luminous efficiency of system up to 176,9 lm/W
- Housing in painted aluminium profile
- Diffusing lens of stretched canvas type
- **Weight** : Approx. 50 kg
- **Driver(s)** : Fixed, Dimmable DALI
- **Option(s)** : Canvas print

Driver(s)



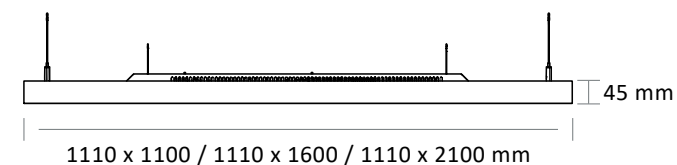
Standards

Class I | IP 20 | 650°

Beam(s)



Dimensions



LS 2476 LED



Colour(s)



RECESSED LUMINAIRE LED

- Direct lighting system for CIRCULAR LED module, maximum 18 300 lumens
- CRI of 80
- MacAdam Ellipse : 3 SDCM
- Available in 3 000 K
- 50 000 hours lamp life (L80B10)
- Luminous efficiency of system up to 124 lm/W
- Optical diffuser made of polymethyl methacrylate (PMMA)
- Extruded aluminum box painted
- **Weight**: 3 kg (Ø400mm), 5,9 kg (Ø600mm), 14,8 kg (Ø900mm), 23,8 kg (Ø1150mm)
- **Driver(s)**: Fixed, Dimmable driver DALI
- **Option(s)**: Suspension kit (KS), Transparent power cable and coat bracket suspension.

Driver(s)



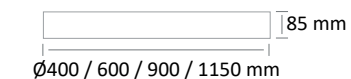
Standards

Class I | IP20 | 650°

Beam(s)



Dimensions



ITEM	DIAMETER (MM)	POWER	LUMINOUS FLUX	SYSTEM EFFICIENCY	COLOUR TEMPERATURE	CRI	EFFICIENCY ENERGY CLASS
LS 2476 LED 4000-830	400	36W	4090 lumens	91 lm/W	3000 K	80	C
LS 2476 LED 8000-830	600	47W	7668 lumens	116 lm/W	3000 K	80	C
LS 2476 LED 12000-830	900	68W	11212 lumens	117 lm/W	3000 K	80	C
LS 2476 LED 18000-830	1150	105W	18300 lumens	124 lm/W	3000 K	80	C

Option(s)



Power cable
1.5 m of cable
transparent 0.75 mm²



Suspension type "I"
(x3)



Central suspended
bracket

ITEM	DIMENSION	CONSUMPTION	LUMINOUS FLUX	SYSTEM EFFICIENCY	COLOUR TEMPERATURE	CRI	EFFICIENCY ENERGY CLASS
LS 5177 LED 10000-840	1110 x 1100	57 W	10 000 lumens	175 lm/W	4000 K	80	D
LS 5177 LED 15000-840	1110 x 1600	84,8 W	15 000 lumens	176,9 lm/W	4000 K	80	D
LS 5177 LED 20000-840	1110 x 2100	114 W	20 000 lumens	175 lm/W	4000 K	80	D

LS 2371 LED



SUSPENDED LUMINAIRE . LED

- Suspended luminaire for LED module, maximum 65 780 lumens
- CRI of 80
- MacAdam Ellipse : 3 SDCM
- Available in 4 000 K
- 70 000 hours lamp life (L90B10)
- Luminous efficiency of system up to 95,6 lm/W
- Housing made of extruded aluminium
- Opal (DO) diffuser made of opal silicone
- **Weight** : Approx. 3,4 kg (455 mm), 8,5 kg (1136 mm), 14,6 kg (1853 mm), 23,3 kg (2926 mm), 45,1 kg (5789 mm)
- **Driver(s)** : Fixed, Dimmable DALI
- **Option(s)** : Fast connector (CORD), Acoustic panel and foam (Ø455, Ø777 et Ø1136)

Driver(s)



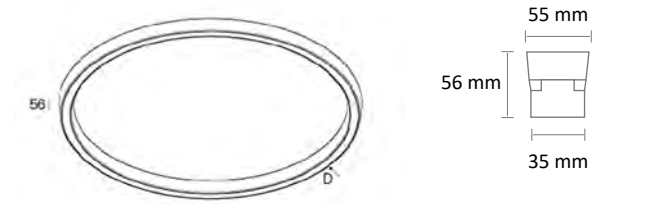
Standards

Class I | IP 40 | 950°

Beam(s)



Dimensions



Transversal plane



Options



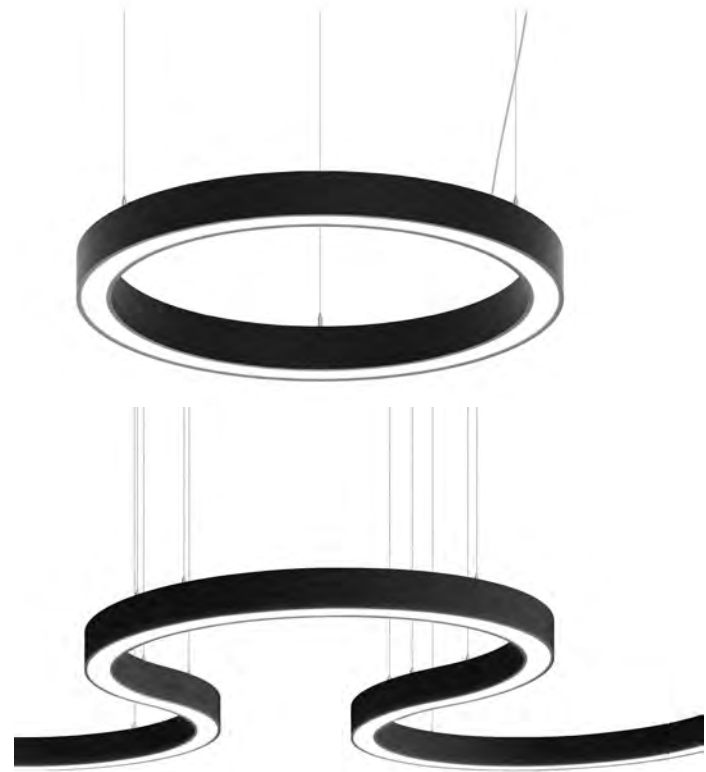
Acoustic panel

Acoustic foam

LS 2371 LED

ITEM	DIAMETER	CONSUMPTION	LUMINOUS FLUX	SYSTEM EFFICIENCY	COLOUR TEMPERATURE	CRI	EFFICIENCY ENERGY CLASS
LS 2371 LED 2000-840	Ø455	33W	2761 lumens	83,7 lm/W	4000 K	80	C
LS 2371 LED 5000-840	Ø777	64W	5796 lumens	90,6 lm/W	4000 K	80	C
LS 2371 LED 8000-840	Ø1136	94W	8280 lumens	88,1 lm/W	4000 K	80	C
LS 2371 LED 11000-840	Ø1494	128W	11 592 lumens	90,6 lm/W	4000 K	80	C
LS 2371 LED 14000-840	Ø1853	158W	14 950 lumens	94,6 lm/W	4000 K	80	C
LS 2371 LED 20000-840	Ø2569	224W	20 930 lumens	93,4 lm/W	4000 K	80	C
LS 2371 LED 23000-840	Ø2926	256W	23 920 lumens	93,4 lm/W	4000 K	80	C
LS 2371 LED 32000-840	Ø4000	344W	32 890 lumens	95,6 lm/W	4000 K	80	C
LS 2371 LED 47000-840	Ø5789	512W	47 840 lumens	93,4 lm/W	4000 K	80	C
LS 2371 LED 65000-840	Ø7936	736W	65 780 lumens	89,4 lm/W	4000 K	80	C

LS 2465 LED



Colour(s)



SUSPENDED LUMINAIRES - LED

- Suspended luminaire for LED module, maximum 9 761 lumens
- CRI of 80
- MacAdam Ellipse : 3 SDCM
- Available in 3 000 K and 4 000 K
- 80 000 hours lamp life (L90B10)
- Luminous efficiency of system up to 109 lm/W
- Housing made of extruded aluminium profile
- Opal polycarbonate diffuser
- **Weight** : Approx. 5,8 kg (600 mm), 9 kg (900 mm), 12,2 kg (1200 mm), 15 kg (1500 mm)
- **Driver(s)** : Fixed, Dimmable DALI
- **Option(s)** : Transparent power cable, suspension, micro-prismatic diffuser, junction kit, piton cover, version with indirect lighting

Driver(s)



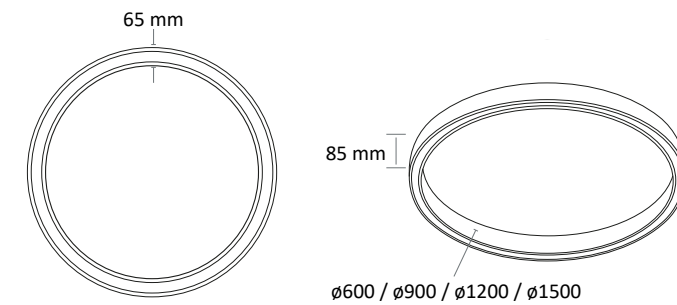
Standards

Class I | IP 20 | 650°

Beam(s)



Dimensions



LS 2465 LED

Module(s)



1/2



1/4



1/8



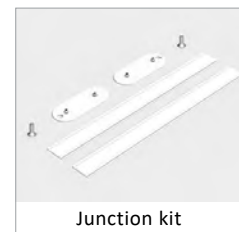
1/16



Straight

ITEM	DIMENSIONS IN MM	CONSUMPTION	LUMINOUS FLUX	SYSTEM EFFICIENCY	COLOUR TEMPERATURE	CRI	EFFICIENCY ENERGY CLASS
LS 2465 LED 4000-830	ø600x65x85	38 W	3823 lumens	101 lm/W	3 000 K	80	B
LS 2465 LED 4000-840	ø600x65x85	38 W	3993 lumens	105 lm/W	4 000 K	80	B
LS 2465 LED 5000-830	ø900x65x85	54 W	5522 lumens	102 lm/W	3 000 K	80	B
LS 2465 LED 5000-840	ø900x65x85	54 W	5768 lumens	107 lm/W	4 000 K	80	B
LS 2465 LED 8000-830	ø1200x65x85	77 W	8071 lumens	105 lm/W	3 000 K	80	B
LS 2465 LED 8000-840	ø1200x65x85	77 W	8430 lumens	109 lm/W	4 000 K	80	B
LS 2465 LED 9000-830	ø1500x65x85	91 W	9346 lumens	103 lm/W	3 000 K	80	B
LS 2465 LED 9000-840	ø1500x65x85	91 W	9761 lumens	107 lm/W	4 000 K	80	B

Accessories



LS 5130 LED



SUSPENDED LUMINAIRES ■ LED

- Suspended luminaire for LED module, maximum 8 359 lumens
- CRI of 80
- MacAdam Ellipse : 3 SDCM
- Available in 4 000 K
- 50 000 hours lamp life (L80B10)
- Luminous efficiency of system up to 152,5 lm/W
- Housing made of extruded aluminium
- Opal (DO) diffuser made of polycarbonate
- Static heat sink
- **Weight** : Approx. 4,6 kg
- **Driver(s)** : Fixed, Dimmable DALI, Casambi, Connect
- **Option(s)** : Fast connector (CORD)

Driver(s)



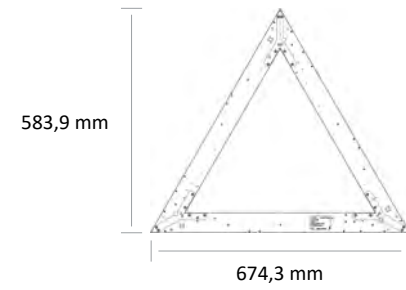
Standards

Class I | IP 20 | 650°

Beam(s)



Dimensions



ITEM	CONSUMPTION	LUMINOUS FLUX	SYSTEM EFFICIENCY	COLOUR TEMPERATURE	CRI	EFFICIENCY ENERGY CLASS
LS 5130 LED 8300-840	54,8W	8359 lumens	152,5 lm/W	4000 K	80	C

HIGH BAY





AR 5140-A LED



OPALINE TUBE WITH COLOUR MASK

Colour(s)



HIGH BAY LED

- High bay for LED SPOT module, maximum 4 023 lumens
- CRI of 90
- MacAdam Ellipse : 2 SDCM
- Available in 2 700 K, 3 000 K, 3 500 K and 4 000 K
- 50 000 hours lamp life (L80B10)
- Luminous efficiency of system up to 161,5 lm/W
- Housing and box made of die-cast painted aluminium
- Aluminium reflective optics
- Weight** : Approx. 0,9 kg
- Driver(s)** : Fixed, Dimmable DALI, Casambi, Connect
- Option(s)** : Opaline tube with colour mask
- Photobiological risk group 1

Driver(s)



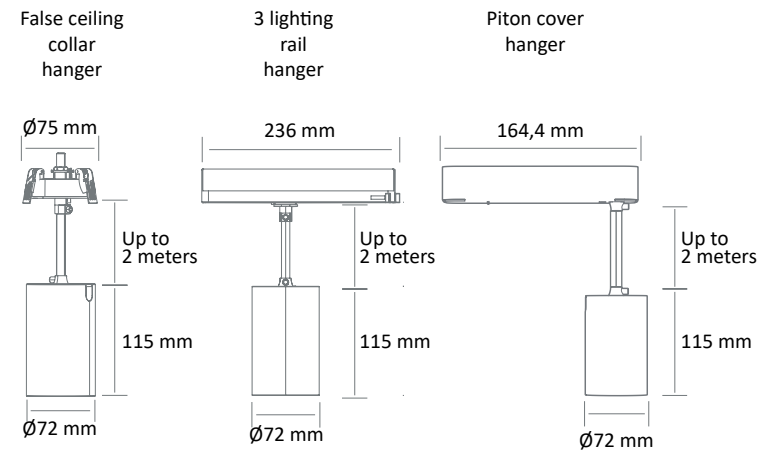
Standards

Class I | IP 20 | 650° | RG1

Beam(s)



Dimensions



AR 5140-A LED ICOB



OPALINE TUBE WITH COLOUR MASK

Colour(s)



HIGH BAY LED

- High bay for LED SPOT module, maximum 3 751 lumens
- CRI of 90
- MacAdam Ellipse : 2 SDCM
- Available in 3 000 K, 3 500 K and 4 000 K
- 50 000 hours lamp life (L80B10)
- Luminous efficiency of system up to 152,7 lm/W
- Housing and box made of die-cast painted aluminium
- Aluminium reflective optics
- Weight** : Approx. 0,9 kg
- Driver(s)** : Fixed, Dimmable DALI, Casambi, Connect
- Option(s)** : Opaline tube with colour mask
- Photobiological risk group 1

Driver(s)



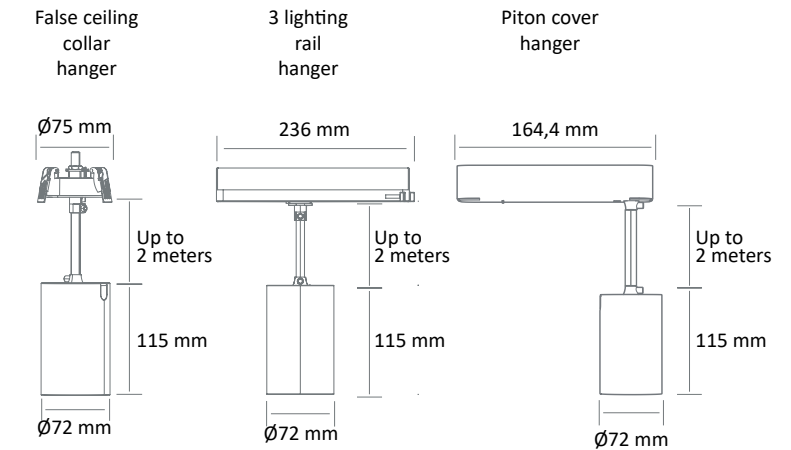
Standards

Class I | IP 20 | 650° | RG1

Beam(s)

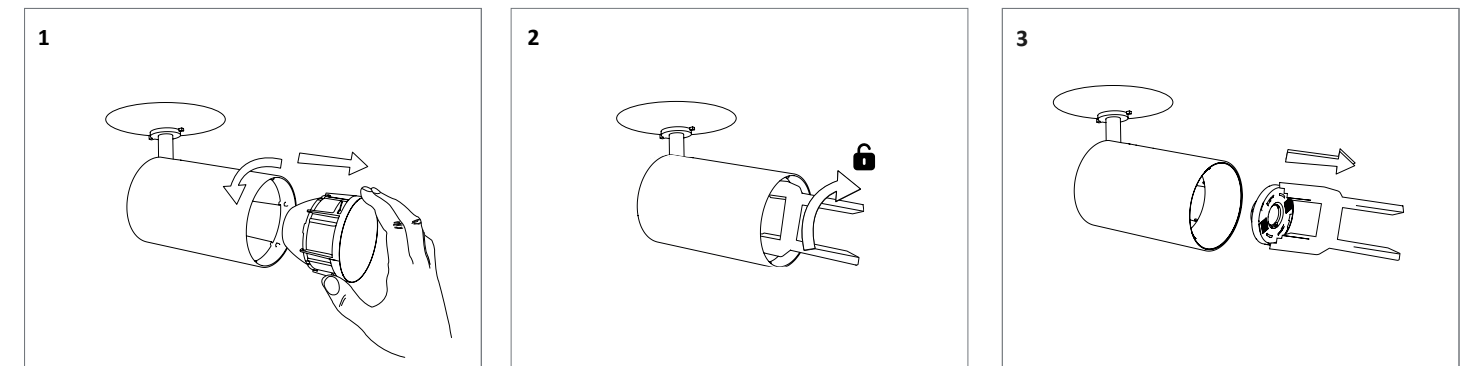


Dimensions



A product equipped with ICOB technology is provided with a mechanism enable to change the module on the GH36d-4 socket by a simple quarter-turn rotation.

ICOB version



High efficiency performance of the components (HE) CRI 90 with R9>80

ITEM	POWER	CONSUMPTION	LUMINOUS FLUX	SYSTEM EFFICIENCY	COLOUR TEMPERATURE	CRI	EFFICIENCY ENERGY CLASS
PL 5140-A LED ICOB HE 2800-930	16,7 W	18,6 W	2829 lumens	152,5 lm/W	3000 K	90	E
PL 5140-A LED ICOB HE 2800-935	16,7 W	18,6 W	2811 lumens	151,5 lm/W	3500 K	90	E
PL 5140-A LED ICOB HE 2800-940	16,7 W	18,6 W	2834 lumens	152,7 lm/W	4000 K	90	E
PL 5140-A LED ICOB HE 3800-930	23,9 W	26,6 W	3745 lumens	141 lm/W	3000 K	90	E
PL 5140-A LED ICOB HE 3800-935	23,9 W	26,6 W	3721 lumens	140,1 lm/W	3500 K	90	E
PL 5140-A LED ICOB HE 3800-940	23,9 W	26,6 W	3751 lumens	141,3 lm/W	4000 K	90	E

Performance of specialized lighting modules

ITEM	SECTION	POWER	CONSUMPTION	LUMINOUS FLUX	SYSTEM EFFICIENCY	COLOUR TEMPERATURE	CRI	EFFICIENCY ENERGY CLASS
AR 5140-A LED 3600-927	Bakery	24,1 W	26,8 W	3567 lumens	133,2 lm/W	2700 K	90	-
AR 5140-A LED 2700-930	Butchery	29,4 W	32,7 W	2733 lumens	83,7 lm/W	3000 K	90	-

High efficiency performance of the components (HE) CRI 90 with R9>80

ITEM	POWER	CONSUMPTION	LUMINOUS FLUX	SYSTEM EFFICIENCY	COLOUR TEMPERATURE	CRI	EFFICIENCY ENERGY CLASS
AR 5140-A LED HE 3000-930	16,8 W	18,7 W	3010 lumens	161,3 lm/W	3000 K	90	E
AR 5140-A LED HE 3000-935	16,8 W	18,7 W	2991 lumens	160,2 lm/W	3500 K	90	E
AR 5140-A LED HE 3000-940	16,8 W	18,7 W	3015 lumens	161,5 lm/W	4000 K	90	E
AR 5140-A LED HE 4000-930	24,1 W	26,8 W	4016 lumens	150 lm/W	3000 K	90	E
AR 5140-A LED HE 4000-935	24,1 W	26,8 W	3991 lumens	149 lm/W	3500 K	90	E
AR 5140-A LED HE 4000-940	24,1 W	26,8 W	4023 lumens	150,2 lm/W	4000 K	90	E

AR 5140-B LED



OPALINE TUBE WITH COLOUR MASK

Colour(s)



HIGH BAY LED

- High bay for LED SPOT module, maximum 4 023 lumens
- CRI of 90
- MacAdam Ellipse : 2 SDCM
- Available in 2 700 K, 3 000 K, 3 500 K and 4 000 K
- 50 000 hours lamp life (L80B10)
- Luminous efficiency of system up to 161,5 lm/W
- Housing and box made of die-cast painted aluminium
- Polycarbonate lens optics
- Weight** : Approx. 0,9 kg
- Driver(s)** : Fixed, Dimmable DALI, Casambi, Connect
- Option(s)** : Opaline tube with colour mask
- Photobiological risk group 1

Driver(s)



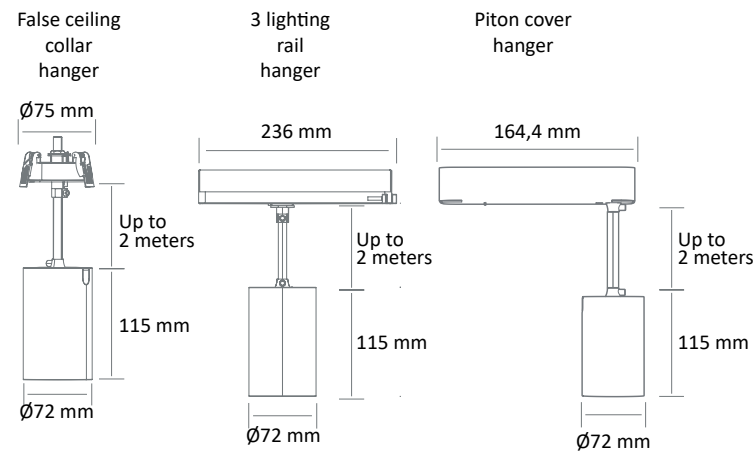
Standards

Class I | IP 20 | 650° | RG1

Beam(s)



Dimensions



AR 5140-B LED ICOB



OPALINE TUBE WITH COLOUR MASK

Colour(s)



HIGH BAY LED

- High bay for LED SPOT module, maximum 3 751 lumens
- CRI de 90
- MacAdam Ellipse : 2 SDCM
- Available in 3 000 K, 3 500 K and 4 000 K
- 50 000 hours lamp life (L80B10)
- Luminous efficiency of system up to 152,7 lm/W
- Housing and box made of die-cast painted aluminium
- Polycarbonate lens optics
- Weight** : Approx. 0,9 kg
- Driver(s)** : Fixed, Dimmable DALI, Casambi, Connect
- Option(s)** : Opaline tube with colour mask
- Photobiological risk group 1

Driver(s)



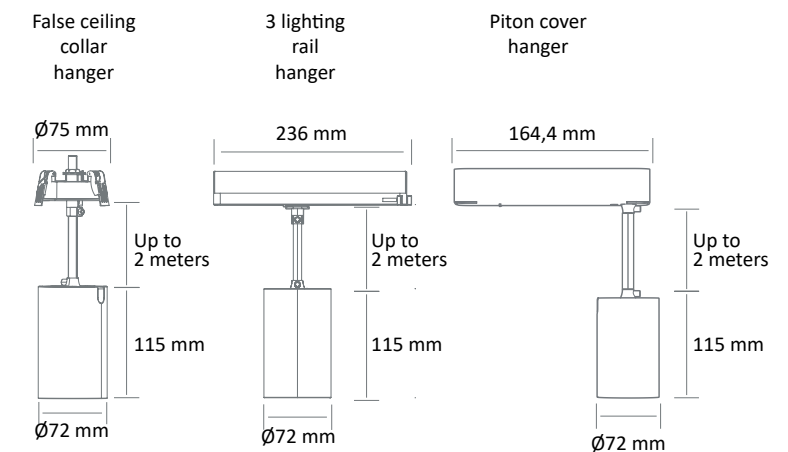
Standards

Class I | IP 20 | 650° | RG1

Beam(s)

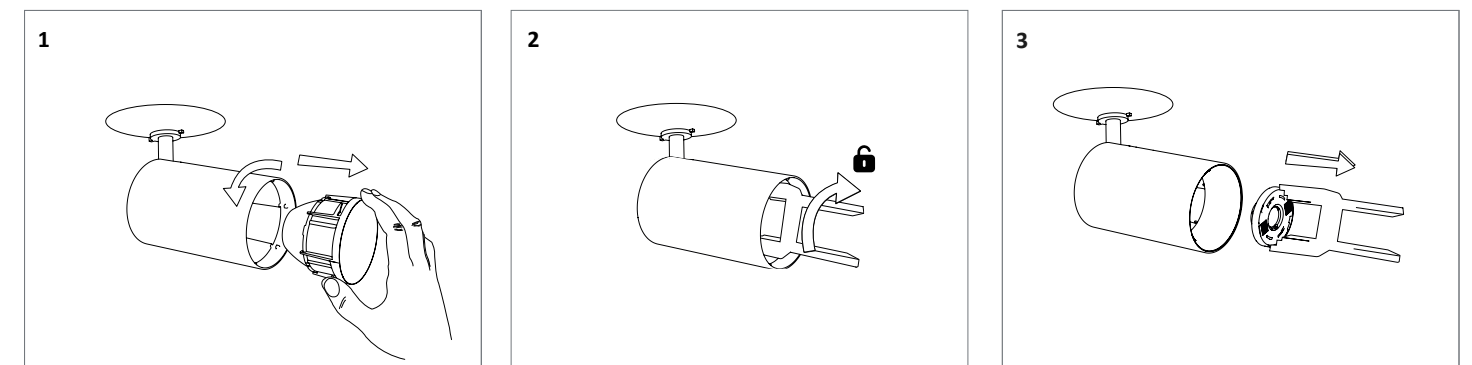


Dimensions



A product equipped with ICOB technology is provided with a mechanism enable to change the module on the GH36d-4 socket by a simple quarter-turn rotation.

ICOB version



High efficiency performance of the components (HE) CRI 90 with R9>80

ITEM	POWER	CONSUMPTION	LUMINOUS FLUX	SYSTEM EFFICIENCY	COLOUR TEMPERATURE	CRI	EFFICIENCY ENERGY CLASS
PL 5140-B LED ICOB HE 2800-930	16,7 W	18,6 W	2829 lumens	152,5 lm/W	3000 K	90	E
PL 5140-B LED ICOB HE 2800-935	16,7 W	18,6 W	2811 lumens	151,5 lm/W	3500 K	90	E
PL 5140-B LED ICOB HE 2800-940	16,7 W	18,6 W	2834 lumens	152,7 lm/W	4000 K	90	E
PL 5140-B LED ICOB HE 3800-930	23,9 W	26,6 W	3745 lumens	141 lm/W	3000 K	90	E
PL 5140-B LED ICOB HE 3800-935	23,9 W	26,6 W	3721 lumens	140,1 lm/W	3500 K	90	E
PL 5140-B LED ICOB HE 3800-940	23,9 W	26,6 W	3751 lumens	141,3 lm/W	4000 K	90	E

Performance of specialized lighting modules

ITEM	SECTION	POWER	CONSUMPTION	LUMINOUS FLUX	SYSTEM EFFICIENCY	COLOUR TEMPERATURE	CRI	EFFICIENCY ENERGY CLASS
AR 5140-B LED 3600-927	Bakery	24,1 W	26,8 W	3567 lumens	133,2 lm/W	2700 K	90	-
AR 5140-B LED 2700-930	Butchery	29,4 W	32,7 W	2733 lumens	83,7 lm/W	3000 K	90	-

High efficiency performance of the components (HE) CRI 90 with R9>80

ITEM	POWER	CONSUMPTION	LUMINOUS FLUX	SYSTEM EFFICIENCY	COLOUR TEMPERATURE	CRI	EFFICIENCY ENERGY CLASS
AR 5140-B LED HE 3000-930	16,8 W	18,7 W	3010 lumens	161,3 lm/W	3000 K	90	E
AR 5140-B LED HE 3000-935	16,8 W	18,7 W	2991 lumens	160,2 lm/W	3500 K	90	E
AR 5140-B LED HE 3000-940	16,8 W	18,7 W	3015 lumens	161,5 lm/W	4000 K	90	E
AR 5140-B LED HE 4000-930	24,1 W	26,8 W	4016 lumens	150 lm/W	3000 K	90	E
AR 5140-B LED HE 4000-935	24,1 W	26,8 W	3991 lumens	149 lm/W	3500 K	90	E
AR 5140-B LED HE 4000-940	24,1 W	26,8 W	4023 lumens	150,2 lm/W	4000 K	90	E

AR 3920 LED



Colour(s)



HIGH BAY LED

- High bay for LED SPOT module, maximum 10 164 lumens
- CRI of 80
- MacAdam Ellipse : 3 SDCM
- Available in 3 000 K and 4 000 K
- 50 000 hours lamp life (L80B10)
- Luminous efficiency of system up to 165,1 lm/W
- Low luminance optic
- Static heat sink
- Weight** : Approx. 8 kg
- Separated driver(s)** : Fixed, Dimmable DALI
- Option(s)** : RAL colour upon request (MC) decorative lining, Fast connector (CORD), Suspension kit (KS)

Deported Driver(s)



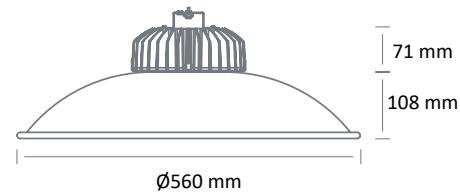
Standards

Class I | IP 20 | 650°

Beam(s)



Dimensions



ITEM	POWER	CONSUMPTION	LUMINOUS FLUX	SYSTEM EFFICIENCY	COLOUR TEMPERATURE	CRI	EFFICIENCY ENERGY CLASS
AR 3920 LED 8000-830	45,3W	49,3W	7691 lumens	156,1 lm/W	3000 K	80	D
AR 3920 LED 8000-840	45,3W	49,3W	8134 lumens	165,1 lm/W	4000 K	80	D
AR 3920 LED 10000-830	58,9W	64,1W	9630 lumens	150,3 lm/W	3000 K	80	D
AR 3920 LED 10000-840	58,9W	64,1W	10164 lumens	158,6 lm/W	4000 K	80	D

Option decorative lining (RAL colour upon request)



Black lining

Power box



AR 3963 LED



Colour(s)



HIGH BAY LED

- High bay for LED SPOT module, maximum 10 164 lumens
- CRI of 80
- MacAdam Ellipse : 3 SDCM
- Available in 3 000 K and 4 000 K
- 50 000 hours lamp life (L80B10)
- Luminous efficiency of system up to 165,1 lm/W
- Grooved and clear diffuser made of polycarbonate (DSC) or made of aluminium (ALU)
- Static heat sink
- Weight** : Approx. 4,94 kg
- Separated driver(s)** : Fixed, Dimmable DALI
- Option(s)** : Fast connector (CORD), Suspension kit (KS)

Deported Driver(s)



Standards

Class I | IP 20 | 650°

Beam(s)

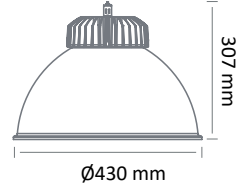


Dimensions

DSC



ALU



ITEM	POWER	CONSUMPTION	LUMINOUS FLUX	SYSTEM EFFICIENCY	COLOUR TEMPERATURE	CRI	EFFICIENCY ENERGY CLASS
AR 3963 LED 8000-830	45,3 W	49,3 W	7691 lumens	156,1 lm/W	3000 K	80	D
AR 3963 LED 8000-840	45,3 W	49,3 W	8134 lumens	165,1 lm/W	4000 K	80	D
AR 3963 LED 10000-830	58,9 W	64,1 W	9630 lumens	150,3 lm/W	3000 K	80	D
AR 3963 LED 10000-840	58,9 W	64,1 W	10164 lumens	158,6 lm/W	4000 K	80	D

Diffuser(s)



DSC

ALU

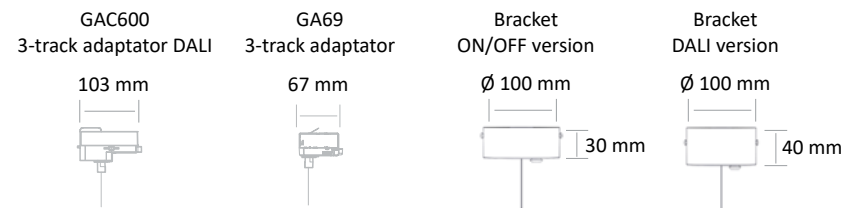
Power box



AR 5036-G LED



Ceiling attachment available :



HIGH BAY LED

- High bay for LED SPOT module, maximum 4 046 lumens
- CRI of 90
- MacAdam Ellipse : 3 SDCM
- Available in 2 700 K, 3 000 K, 3 500 K, 4 000 K and 5 000 K
- 50 000 hours lamp life (L80B10)
- Luminous efficiency of system up to 163 lm/W
- Housing made of embossed aluminium
- Static heat sink
- Weight** : Approx. 1,1 kg
- Included** : Suspension kit (KS)
- Driver(s)** : Fixed, Dimmable DALI
- Option(s)** : Fast connector (CORD)

Driver(s)



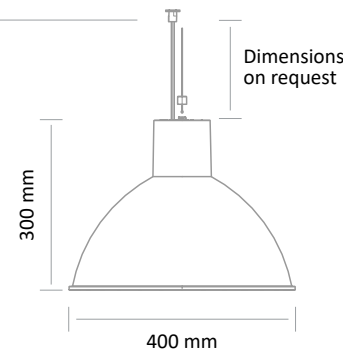
Standards

Class II | IP 20 | 650°

Beam(s)



Dimensions



Performance of specialized lighting modules

ITEM	SECTION	POWER	CONSUMPTION	LUMINOUS FLUX	SYSTEM EFFICIENCY	COLOUR TEMPERATURE	CRI	EFFICIENCY ENERGY CLASS
AR 5036 LED 2000-927	Bakery	24 W	27,9W	3480 lumens	124,7 lm/W	2700 K	90	-
AR 5036 LED 2000-930	Butchery	23,7W	26,3W	2297 lumens	87,2 lm/W	3000 K	90	-
AR 5036 LED 3300-950	Fishmonger's	16,8W	18,5W	3015 lumens	163 lm/W	5000 K	90	E
AR 5036 LED 3400-950	Fishmonger's	24,1W	26,5W	4046 lumens	152,7 lm/W	5000 K	90	E

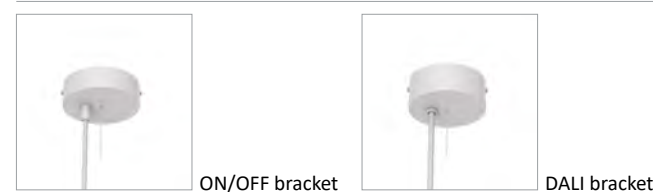
High efficiency performance of the components (HE) CRI 90 with R9>80

ITEM	POWER	CONSUMPTION	LUMINOUS FLUX	SYSTEM EFFICIENCY	COLOUR TEMPERATURE	CRI	EFFICIENCY ENERGY CLASS
AR 5036 LED HE 3000-930	16,7 W	19,4 W	2956 lumens	152,2 lm/W	3000 K	90	E
AR 5036 LED HE 3000-935	16,7 W	19,4 W	2937 lumens	151,2 lm/W	3500 K	90	E
AR 5036 LED HE 3000-940	16,7 W	19,4 W	2961 lumens	152,5 lm/W	4000 K	90	E
AR 5036 LED HE 4000-930	24 W	27,9 W	3924 lumens	140,6 lm/W	3000 K	90	E
AR 5036 LED HE 4000-935	24 W	27,9 W	3899 lumens	139,7 lm/W	3000 K	90	E
AR 5036 LED HE 4000-940	24 W	27,9 W	3930 lumens	140,8 lm/W	4000 K	90	E

Colours example



Brackets



LS 5148 LED



SUSPENDED LUMINAIRES LED

- Suspended luminaire for LED module, maximum 7 700 lumens
- CRI of 80 or 90
- MacAdam Ellipse : 2 SDCM
- Available in 3 000 K and 4 000 K
- 50 000 hours lamp life (L80B10)
- Luminous efficiency of system up to 166,6 lm/W
- Housing made of aluminium
- Static heat sink
- Driver(s)** : Fixed, Dimmable DALI
- Option(s)** : Fast connector (CORD)

Driver(s)



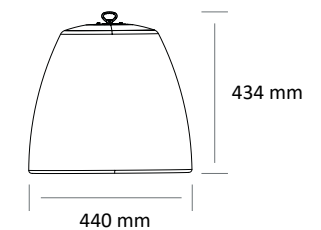
Standards

Class I | IP 20 | 650°

Beam(s)



Dimensions



ITEM	POWER	CONSUMPTION	LUMINOUS FLUX	SYSTEM EFFICIENCY	COLOUR TEMPERATURE	CRI	BEAM	EFFICIENCY ENERGY CLASS
LS 5148 LED 3000-830	19W	21W	3025 lumens	144 lm/W	3000 K	80	B	D
LS 5148 LED 3000-840	19W	21W	3175 lumens	151,2 lm/W	4000 K	80	B	D
LS 5148 LED 4000-830	25W	27W	4275 lumens	158,3 lm/W	3000 K	80	B	D
LS 5148 LED 4000-840	25W	27W	4500 lumens	166,6 lm/W	4000 K	80	B	D
LS 5148 LED 5000-830	39W	43W	5075 lumens	118 lm/W	3000 K	80	B	D
LS 5148 LED 5000-840	39W	43W	5350 lumens	124,4 lm/W	4000 K	80	B	D
LS 5148 LED 6000-930	49W	55W	6075 lumens	110,5 lm/W	3000 K	90	A	D
LS 5148 LED 6000-940	49W	55W	6600 lumens	120 lm/W	4000 K	90	A	D
LS 5148 LED 7500-830	49W	55W	7325 lumens	133,1 lm/W	3000 K	80	A	D
LS 5148 LED 7500-840	49W	55W	7700 lumens	140 lm/W	4000 K	80	A	D

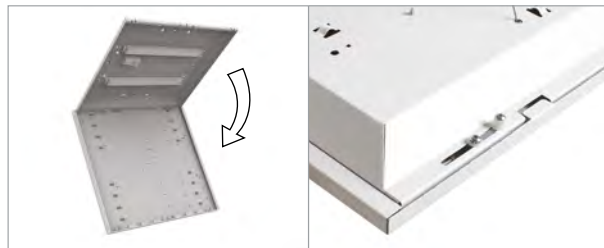
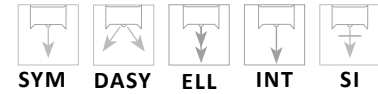
LS 5151 LED



Colour(s)



Light distribution



SUSPENDED LUMINAIRE LED

- Suspended luminaires for module LED, maximum 41 600 lumens
- CRI of 80
- MacAdam Ellipse : 3 SDCM
- Available in 4 000 K
- Middle flux module 100 000 hours lamp life (L80B10), 50 000h (L90B10)
- Luminous efficiency of system up to 182,1 lm/W
- Housing made of painted steel
- Static heat sink
- Maintenance from below
- Latch locking system
- Hanging by ropes or canalised stirrups
- **Driver(s)** : Fixed, Dimmable DALI (CDIMMDALI)
- **Option(s)** : Fast connector (CORD), Lighting sensor and-or movement detection (CEL)

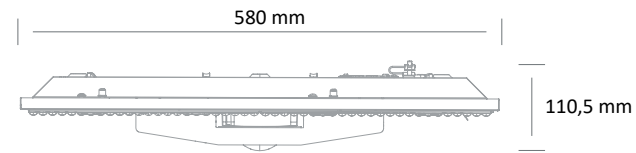
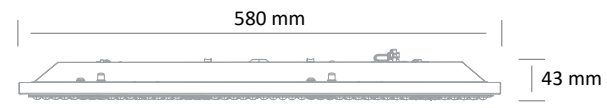
Driver(s)



Standards

Class I | IP 20 | 650°

Dimensions

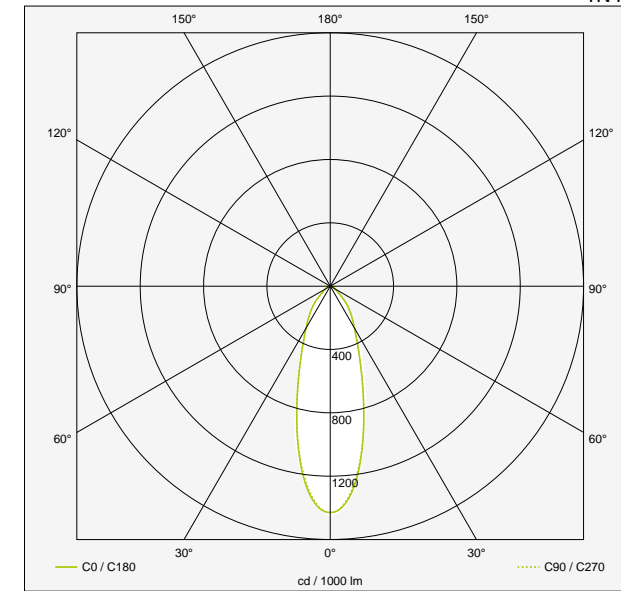


ITEM	DIMENSIONS WITH CELL (in mm)	DIMENSIONS WITHOUT CELL (in mm)	CONSUMPTION	LUMINOUS FLUX	SYSTEM EFFICIENCY	COLOUR TEMPERATURE	CRI	EFFICIENCY ENERGY CLASS
LS 5151-A LED 16600-840	580 x 322	580 x 211	95,1 W	16 640 lumens	175 lm/W	4 000 K	80	C
LS 5151-B LED 23100-840	580 x 421	580 x 310	127,2 W	23 160 lumens	182,1 lm/W	4 000 K	80	C
LS 5151-C LED 33200-840	580 x 520	580 x 409	190,2 W	33 280 lumens	175 lm/W	4 000 K	80	C
LS 5151-D LED 41600-840	580 x 619	580 x 508	233,5 W	41 600 lumens	178,1 lm/W	4 000 K	80	C

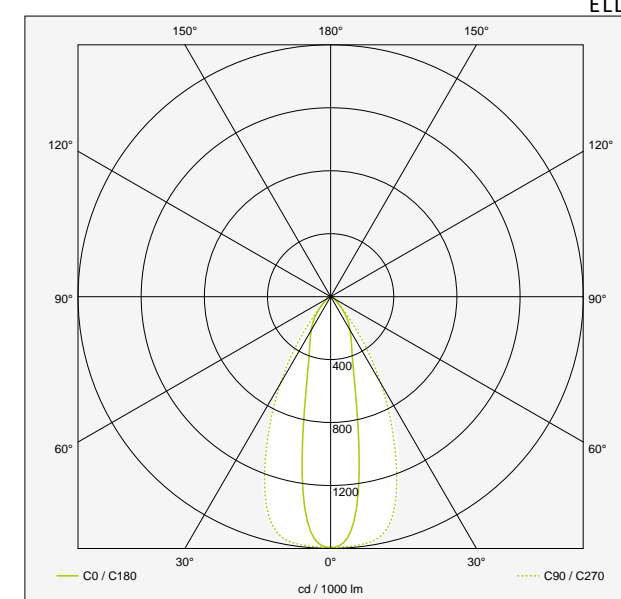
LS 5151 LED

LIGHT DISTRIBUTION

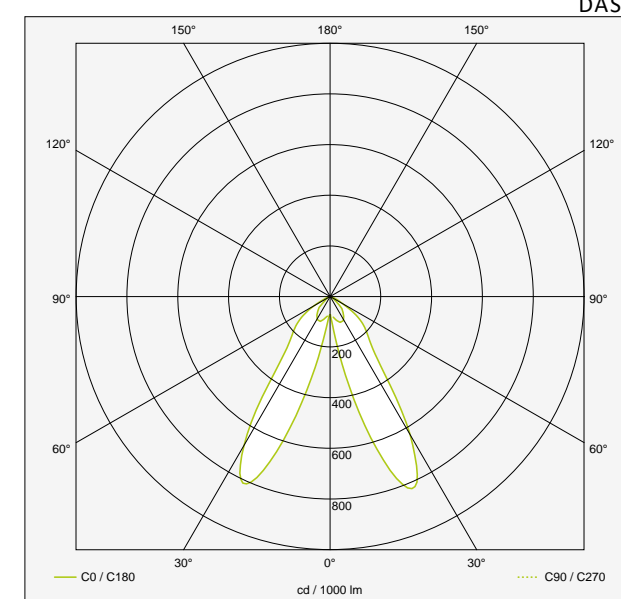
Intensive :
LOR 90 %



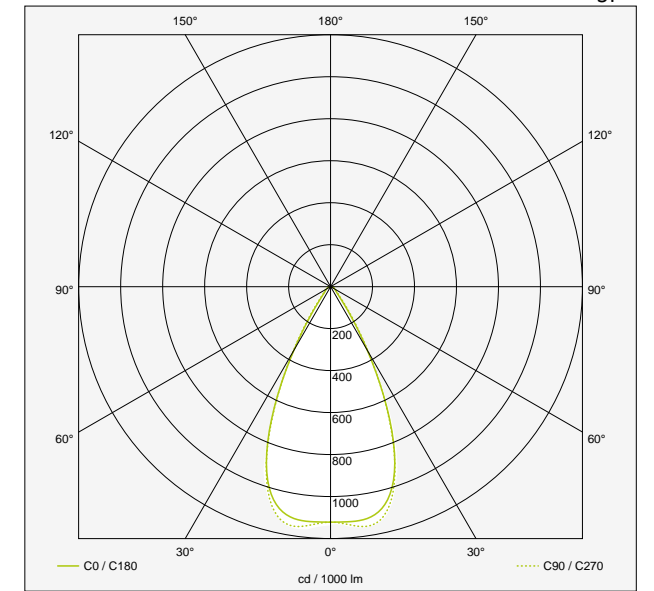
Elliptical
LOR 96,5 %



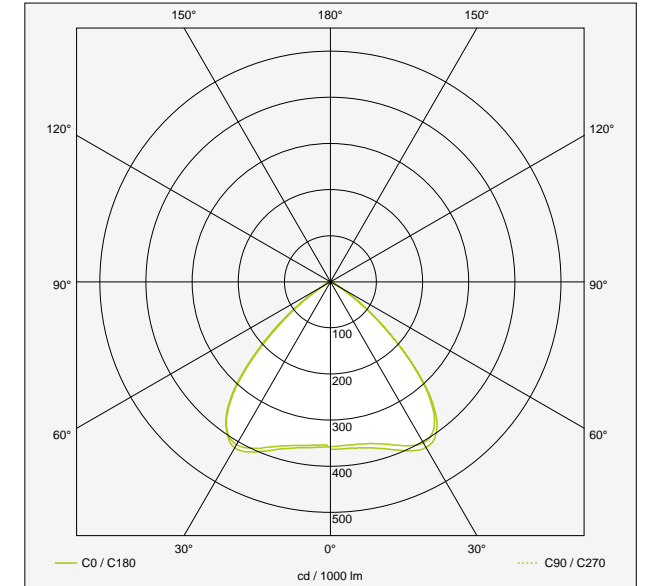
Double asymmetrical:
LOR 97 %



Mid-intensive
LOR 96 %



Symmetrical
LOR 97 %



DECORATIVE PENDANTS





SD 2449 LED

1



Ø100 x 85

2



Ø200 x 110

3



Ø200 x 230

DECORATIVE LIGHT BULBS LED

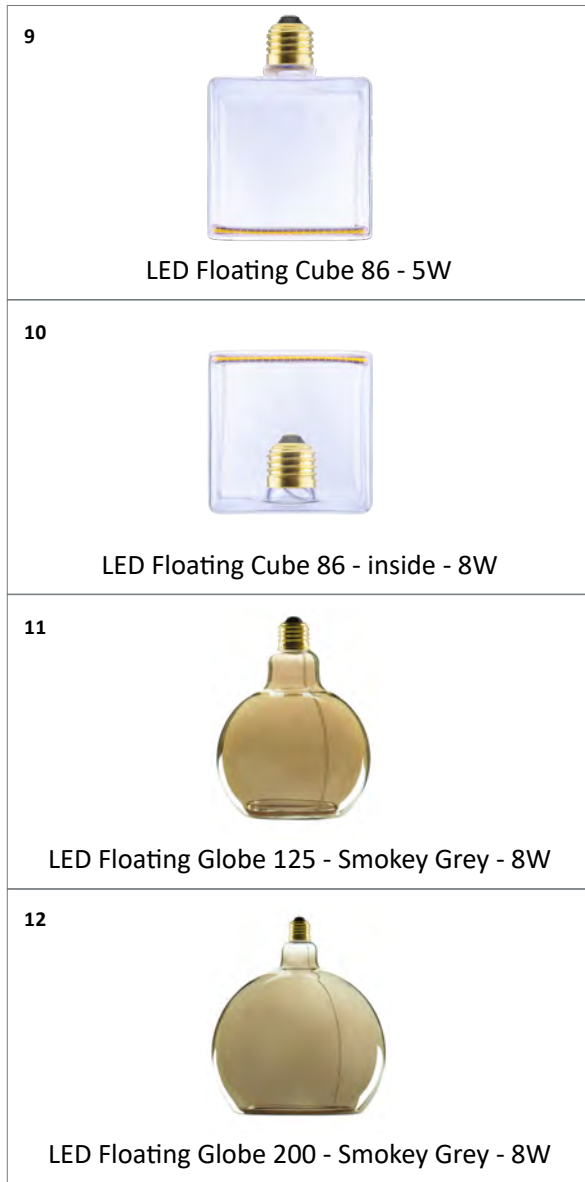
- E27 fitting lamp
- Floating light
- Option : Lamp 1 available in clear or smoked glass

BEAM(S)



ITEM	DIMENSIONS (MM)	POWER	LUMINOUS FLUX	COLOUR TEMPERATURE	CRI
1	Ø100 x 85	8W	360 lumens	2200 K	90
2	Ø200 x 110	8W	400 lumens	2200 K	90
3	Ø200 x 230	8W	400 lumens	2200 K	90

SD 2449 LED



ITEM	WATT	LUMEN	KELVIN	BASE	SIZE (MM)
4	5	220	2200	E27	Ø80x105
5	8	350	2200	E27	Ø125x165
6	8	350	2200	E27	Ø150x180
7	8	400	2200	E27	Ø200x230
8	8	320	2200	E27	86x86x125
9	8	320	2200	E27	86x86x90
10	8	320	2200	E27	Ø125x115
11	8	180	2000	E27	Ø125x165
12	8	260	2000	E27	Ø200x230

SD 5008-A LED



Colour(s)

transparent

DECORATIVE PENDANTS ■ LED

- Decorative pendant luminaire for E27 base lamp
- Clear glass body
- Red colored thread
- White piton cover
- Thermoplastic socket
- **Not included** : Lamp

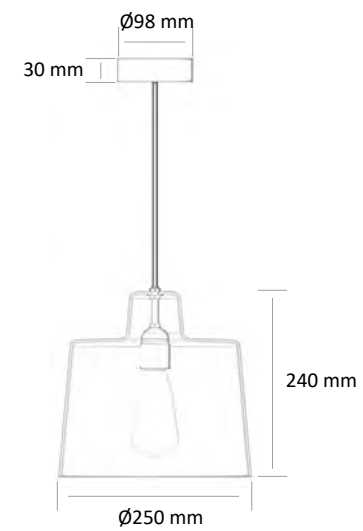
Standards

Class I | IP 20 | 650°

Beam(s)



Dimensions



SD 5008-C LED



Colour(s)

black

DECORATIVE PENDANTS ■ LED

- Socket with cable for E27 lamp base
- Cable length on demand
- Socket kit + silicone socket cover

Standards

Class I | IP 20 | 650°

Beam(s)



Dimensions



SD 5008-D LED



Colour(s)

brass

DECORATIVE PENDANTS ■ LED

- Socket with cable for E27 lamp base
- Cable length on demand
- Brass socket
- Red wire
- **Weight** : 340g (peg assembly) and 220g (3-circuit tracks adaptor assembly)
- Peg or 3-circuit tracks adaptor assembly

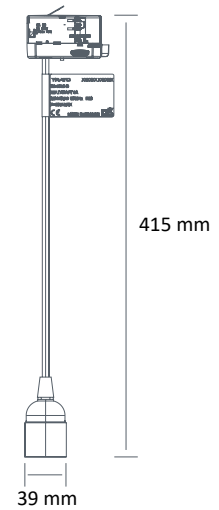
Standards

Class I | IP 20 | 650°

Beam(s)



Dimensions



ESTENO



Colour(s)



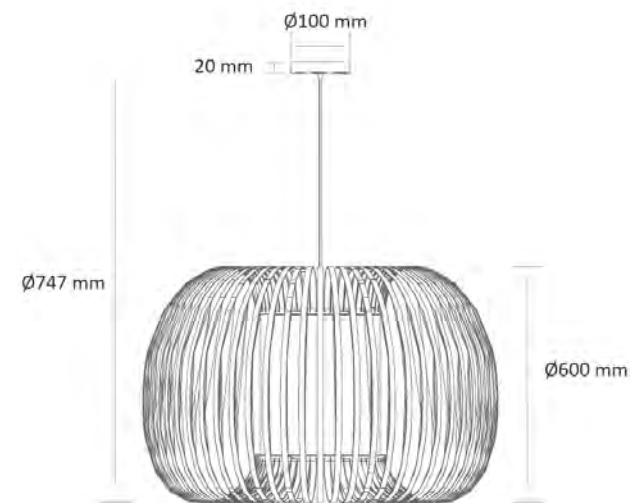
DECORATIVE PENDANTS

- Decorative pendant luminaire for E27 base lamp
- Polyester body
- Adjustable height
- **Not included** : Lamp

Standards

Class I | IP 20 | 650°

Dimensions



CABANA



Colour(s)



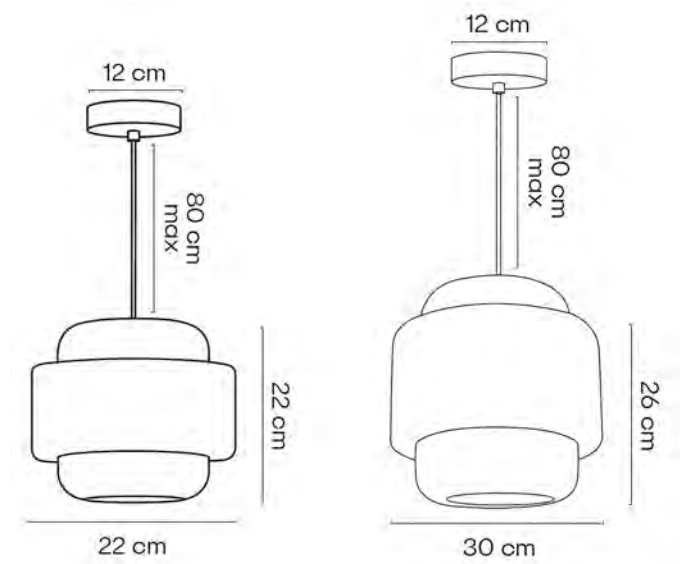
DECORATIVE PENDANTS

- Decorative pendant luminaire for E27 base lamp
- Bamboo body
- Available in 2 dimensions
- **Not included** : Lamp

Standards

Class I | IP 20 | 650°

Dimensions



NAMATA



Colour(s)



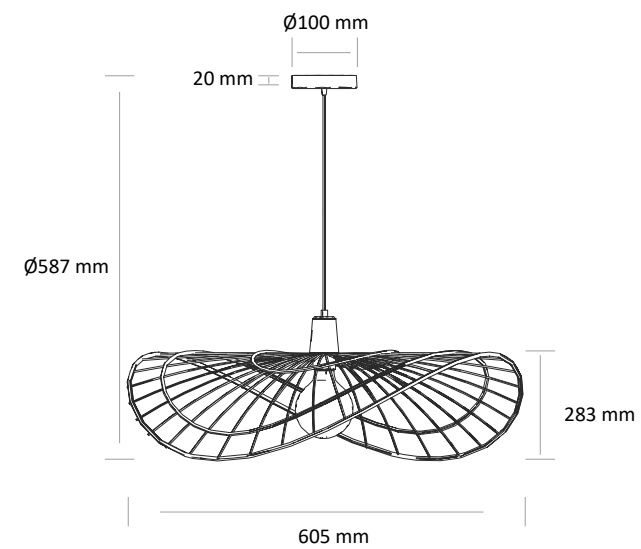
DECORATIVE PENDANTS

- Decorative pendant luminaire for E27 base lamp
- Natural Bamboo, wood and metal body
- **Not included** : Lamp

Standards

Class I | IP 20 | 650°

Dimensions



AREIA



Colour(s)



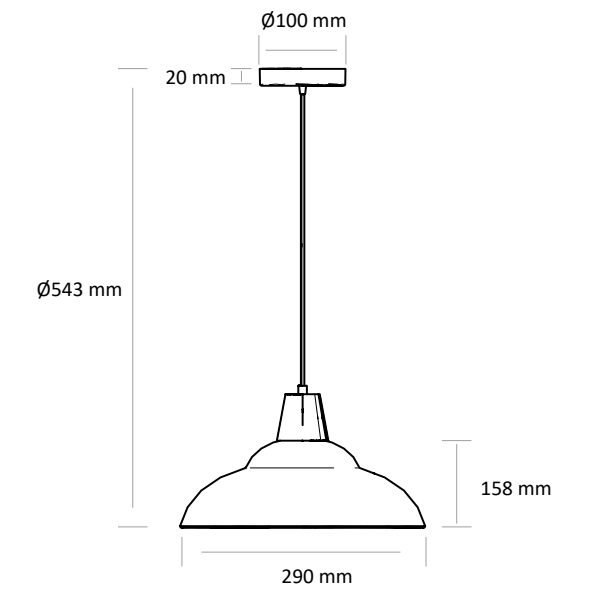
DECORATIVE PENDANTS

- Decorative pendant luminaire for E27 base lamp
- Metal and wood body
- **Not included** : Lamp

Standards

Class I | IP 20 | 650°

Dimensions



AR 1528 LED



Colour(s)



HIGH BAY - LED

- High bay for LED SPOT module, maximum 3 949 lumens
- CRI of 80 or 90
- MacAdam Ellipse: 3 SDCM
- Available in 2 500 K, 3 000 K and 4 000 K
- 50 000 hours lamp life (L80B10)
- Luminous efficiency of system up to 145,7 lm/W
- Diffuser made of faceted aluminium
- Housing made of embossed aluminium
- Static heat sink
- **Weight** : Approx. 4,4 kg
- **Included** : Suspension kit (KS)
- **Driver(s)** : Fixed, Dimmable DALI
- **Option(s)** : Fast connector (CORD), E27

Driver(s)



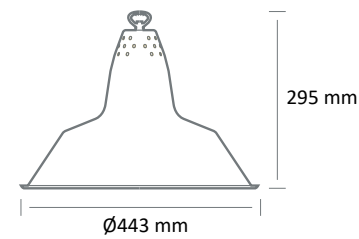
Standards

Class I | IP 20 | 650°

Beam(s)



Dimensions



AR 5170



Colour(s)



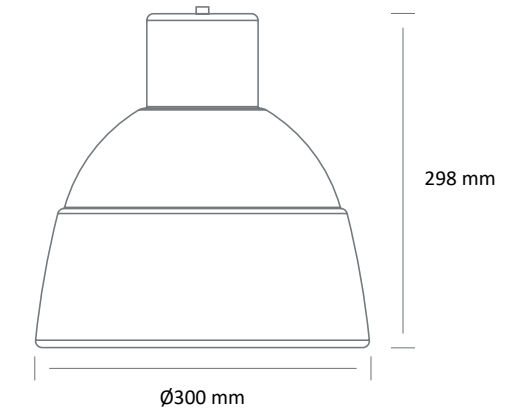
HIGH BAY

- High bay for E27 lamp base, maximum 50 watts
- Housing made of embossed aluminium
- Opal diffuser
- Not included : Lamp

Standards

Class I | IP 20 | 650°

Dimensions



Performance of specialized lighting modules

ITEM	SECTION	POWER	CONSUMPTION	LUMINOUS FLUX	SYSTEM EFFICIENCY	COLOUR TEMPERATURE	CRI	EFFICIENCY ENERGY CLASS
AR 1528 LED 3600-927	Bakery	24,1 W	26,8 W	3567 lumens	133,2 lm/W	2700 K	90	-
AR 1528 LED 2700-930	Butchery	29,4 W	32,7 W	2733 lumens	83,7 lm/W	3000 K	90	-

Performance of IRC 90 high-efficiency (HE) modules with R9 > 80

ITEM	POWER	CONSUMPTION	LUMINOUS FLUX	SYSTEM EFFICIENCY	COLOUR TEMPERATURE	CRI	EFFICIENCY ENERGY CLASS
AR 1528 LED HE 3000-930	16,8 W	18,7 W	3010 lumens	161,3 lm/W	3000 K	90	E
AR 1528 LED HE 3000-935	16,8 W	18,7 W	2991 lumens	160,2 lm/W	3500 K	90	E
AR 1528 LED HE 3000-940	16,8 W	18,7 W	3015 lumens	161,5 lm/W	4000 K	90	E
AR 1528 LED HE 4000-930	24,1 W	26,8 W	4016 lumens	150 lm/W	3000 K	90	E
AR 1528 LED HE 4000-935	24,1 W	26,8 W	3991 lumens	149 lm/W	3500 K	90	E
AR 1528 LED HE 4000-940	24,1 W	26,8 W	4023 lumens	150,2 lm/W	4000 K	90	E

Option(s)



E27

XENA



Colour(s)



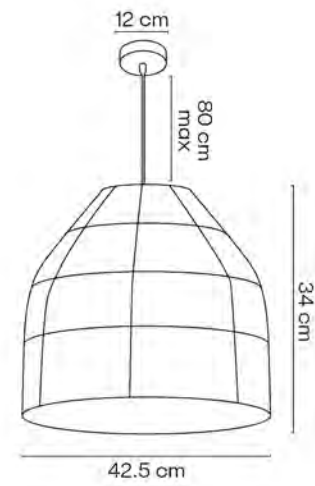
DECORATIVE PENDANTS

- Decorative pendant luminaire for E27 base lamp
- Bamboo body
- Available in 2 dimensions
- **Not included** : Lamp

Standards

Class I | IP 20 | 650°

Dimensions



CALI



Colour(s)



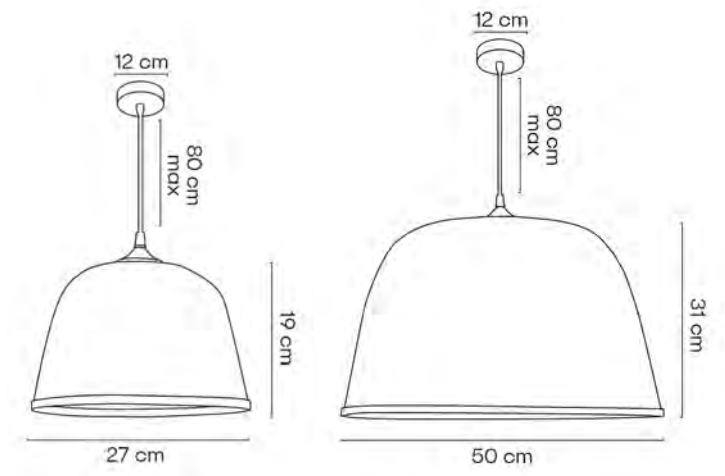
DECORATIVE PENDANTS

- Decorative pendant luminaire for E27 base lamp
- Bamboo body
- Available in 2 dimensions
- **Not included** : Lamp

Standards

Class I | IP 20 | 650°

Dimensions



ALUMINIUM PROFILES





TRATO SE 5080 LED

Lighting system for linear LED Module, maximum 13 432 lumens / meters

- Installation: suspended, LO or LI recessed, ceiling mounted
- Independant elements or elements for begining, intermediare or end for continuous lighting up to 40 meters
- CRI of 80
- MacAdam ellipse : 3 SDCM
- Available in 3 000 K and 4 000 K
- 50 000 hours lamp life (L80B20)
- Luminous efficiency of system up to 162,8 lm/W
- Optics available in rolls up to 50 meters (10, 20, 30, 40 or 50 meters) in pre-defined length (1 120 mm, 1 680 mm, 2 240 mm and 3 360 mm)
- Opal diffuser made of polycarbonate (DO) or microprism diffuser (MIC)
- Housing made of painted extruded aluminium profil
- Painted steel endcaps
- **Weight** : Approx. 5 kg / m
- **Number of module(s)**: Depend on the length of the luminaire
- **Driver(s)** : Fixed, Dimmable DALI (CDIMMDALI)
- **Accessories** : Suspension kit
- **Option(s)** : Suspended luminaire with indirect lighting, 90° angle, lighting sensor and-or movement detection

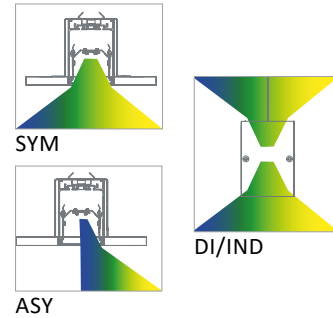
Driver(s)



Standards

Class I | IP20 | IK07 | 650°

Beam(s)



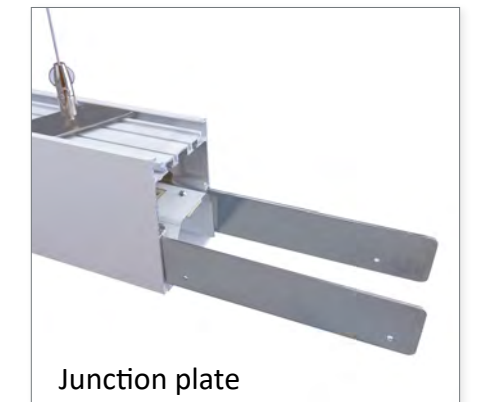
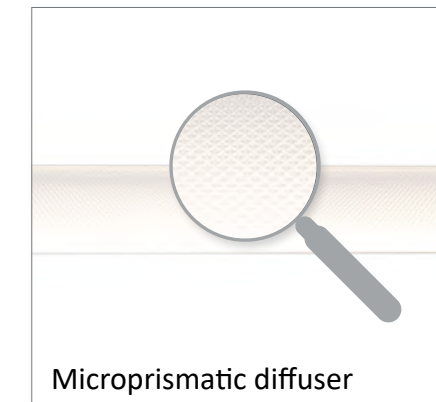
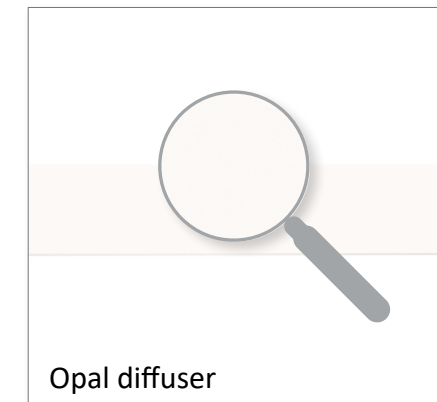
LED configuration recommended for commercial use

ITEM	LENGTH (MM)	POWER	CONSUMPTION	LUMINOUS FLUX	SYSTEM EFFICIENCY	COLOUR TEMPERATURE	CRI	EFFICIENCY ENERGY CLASS
SE 5080 LED 4400-830	1120	25W	29W	4345 lumens	149,5 lm/W	3000	80	C
SE 5080 LED 4400-840	1120	25W	29W	4574 lumens	157,3 lm/W	4000	80	C
SE 5080 LED 6600-830	1680	36,6W	42W	6380 lumens	151,6 lm/W	3000	80	C
SE 5080 LED 6600-840	1680	36,6W	42W	6716 lumens	159,6 lm/W	4000	80	C
SE 5080 LED 8800-830	2240	50W	58W	8690 lumens	149,5 lm/W	3000	80	C
SE 5080 LED 8800-840	2240	50W	58W	9148 lumens	157,3 lm/W	4000	80	C
SE 5080 LED 13000-830	3360	73,2W	84W	12760 lumens	151,6lm/W	3000	80	C
SE 5080 LED 13000-840	3360	73,2W	84W	13432 lumens	159,6 lm/W	4000	80	C

LED configuration recommended for office use (UGR<19 with microprismatic optics)

ITEM	LENGTH (MM)	POWER	CONSUMPTION	LUMINOUS FLUX	SYSTEM EFFICIENCY	COLOUR TEMPERATURE	CRI	EFFICIENCY ENERGY CLASS
SE 5080 LED 2250-830	1120	12,1W	15,5W	2232 lumens	143,8 lm/W	3000 K	80	C
SE 5080 LED 2250-840	1120	11,2W	14,4W	2197 lumens	153 lm/W	4000 K	80	C
SE 5080 LED 3400-830	1680	17,7W	21,3W	3276 lumens	153,6 lm/W	3000 K	80	C
SE 5080 LED 3400-840	1680	16,8W	20,2W	3295 lumens	162,8 lm/W	4000 K	80	C
SE 5080 LED 4500-830	2240	24,2W	31W	4464 lumens	143,8 lm/W	3000 K	80	C
SE 5080 LED 4500-840	2240	22,4W	28,8W	4394 lumens	153 lm/W	4000 K	80	C
SE 5080 LED 6800-830	3360	35,4W	42,6W	6552 lumens	153,6 lm/W	3000 K	80	C
SE 5080 LED 6800-840	3360	33,6W	40,4W	6590 lumens	162,8 lm/W	4000 K	80	C

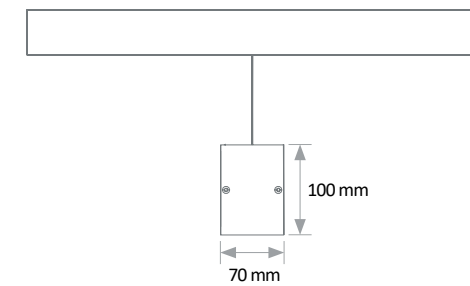
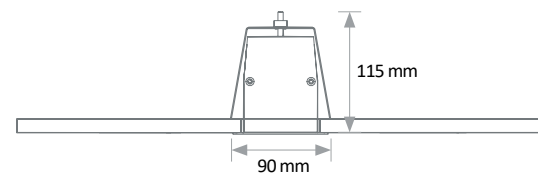
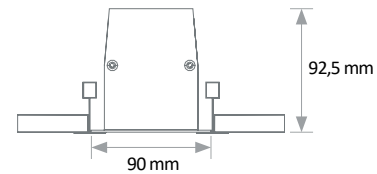
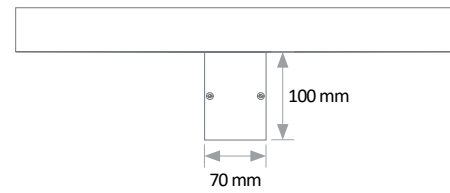
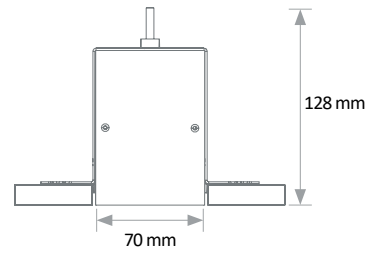
TRATO SE 5080 LED



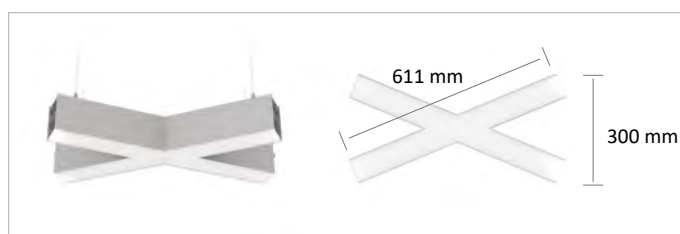
The rolls are delivered in lengths of 10, 20, 30, 40 or 50 meters, which enables to install the diffuser on the whole length, without interruption.

TRATO SE 5080 LED

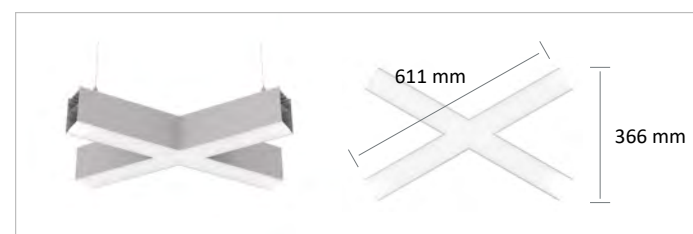
Installation modes



Option(s) for suspended version



45° angle



60° angle

TRATO SE 5080 LED



TRATO SE 5080 LED

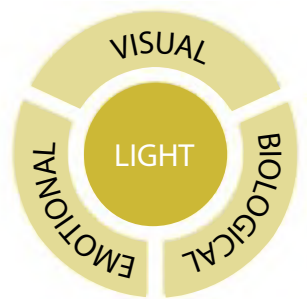
The technological innovation for buildings and users

Because our needs in lighting change according to age, time of day and tasks to accomplish, being able to adjust the intensity and the colour temperature can greatly improve user comfort.

The integration of *Tunable white* Led sources into the SE 5080 combined to a manual controlling system, allows users to change both the light intensity and the colour temperature at will.



You can also combine the SE 5080 LED *Tunable white* to an HCL autopilot system. So that it can reproduce the natural variation of colour temperature throughout the day, and thus try to reproduce the visual and non-visual light effect as well as possible.



See better



Live better



Feeling better

Rotary button, touch screen, iOS or Android App, there are a multiple of control solution compatible with the SE 5080 LED.



SE 5155 LED



PROFILES - LED

- Suspended lighting system in aluminum profile, maximum 6 590 lumens / meter
- Independant elements or elements of beginning, intermediate or end for continuous lighting up to 40 meters
- CRI of 80
- MacAdam Ellipse : 3 SDCM
- Available in 3 000 K and 4 000 K
- 50 000 hours lamp life (L80B20)
- Luminous efficiency of system up to 162,8 lm/W
- Optics available in rolls up to 50 meters (10, 20, 30, 40 or 50 meters) or in predefined lengths (1120 mm, 1680 mm, 2240 mm and 3360 mm) for independent versions
- Opal diffuser made of polycarbonate (DO)
- Housing made of painted extruded aluminium profil
- Painted steel endcaps
- Static heat sink
- **Number of module(s)** : Depends on the length of the luminaire
- **Driver(s)** : Fixed (C Fixed) , Dimmable DALI (CDIMMDALI)
- **Accessories** : Suspension kit
- **Option(s)** : 90° angle, lighting sensor and-or movement detection

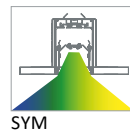
Driver(s)



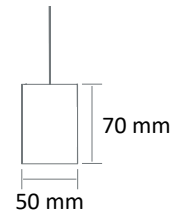
Standards

Class I | IK07 | 650°

Beam(s)



Dimensions

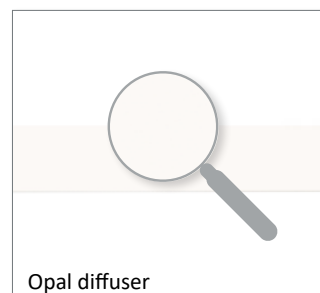


Color(s)



LED Configuration

ITEM	LENGTH (MM)	POWER	CONSUMPTION	LUMINOUS FLUX	SYSTEM EFFICIENCY	COLOUR TEMPERATURE	CRI	EFFICIENCY ENERGY CLASS
SE 5155 LED 2250-830	1120	12,1W	15,5W	2232 lumens	143,8 lm/W	3000 K	80	C
SE 5155 LED 2250-840	1120	11,2W	14,4W	2197 lumens	153 lm/W	4000 K	80	C
SE 5155 LED 3400-830	1680	17,7W	21,3W	3276 lumens	153,6 lm/W	3000 K	80	C
SE 5155 LED 3400-840	1680	16,8W	20,2W	3295 lumens	162,8 lm/W	4000 K	80	C
SE 5155 LED 4500-830	2240	24,2W	31W	4464 lumens	143,8 lm/W	3000 K	80	C
SE 5155 LED 4500-840	2240	22,4W	28,8W	4394 lumens	153 lm/W	4000 K	80	C
SE 5155 LED 6800-830	3360	35,4W	42,6W	6552 lumens	153,6 lm/W	3000 K	80	C
SE 5155 LED 6800-840	3360	33,6W	40,4W	6590 lumens	162,8 lm/W	4000 K	80	C



The rolls are available in lengths of 10, 20, 30, 40 or 50 meters, which enables to install the diffuser on the whole length, without interruption.

SE 5165 LED



PROFILES - LED

- Suspended lighting system in aluminum profile, maximum 3 773 lumens / meter
- Independant elements or elements of beginning, intermediate or end for continuous lighting up to 40 meters
- CRI of 80
- MacAdam Ellipse : 3 SDCM
- Available in 3 000 K
- 50 000 hours lamp life (L80B20)
- Luminous efficiency of system up to 153,71 lm/W
- Optics available in rolls up to 50 meters (10, 20, 30, 40 or 50 meters) or in predefined lengths (1120 mm, 1680 mm, 2240 mm and 3360 mm) for independent versions
- Opal diffuser made of polycarbonate (DO)
- Housing made of painted extruded aluminium profil
- Painted steel endcaps
- Static heat sink
- **Number of module(s)** : Depends on the length of the luminaire
- **Driver(s)** : Fixed (C Fixed) , Dimmable DALI (CDIMMDALI)
- **Accessories** : Suspension kit
- **Option(s)** : 90° angle, lighting sensor and-or movement detection

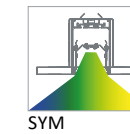
Driver(s)



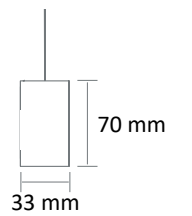
Standards

Class I | IK07 | 650°

Beam(s)



Dimensions



Color(s)



LED Configuration

ITEM	LENGTH (FT)	POWER	CONSUMPTION	LUMINOUS FLUX	SYSTEM EFFICIENCY	COLOUR TEMPERATURE	CRI	EFFICIENCY ENERGY CLASS
SE 5155 LED 3700-830	3,5	21,6W	24,55W	3773 lumens	153,71 lm/W	3000 K	80	C



The rolls are available in lengths of 10, 20, 30, 40 or 50 meters, which enables to install the diffuser on the whole length, without interruption.

SE 3516 LED



Colour(s)



PROFILES LED

Lighting system direct and indirect suspended in aluminum profile

Indirect lighting:

- CRI of 80
- MacAdam Ellipse : 3 SDCM
- Available in 3 000 K et 4 000 K
- 50 000 hours lamp life (L80B20)
- Luminous efficiency of system up to 162 lm/W
- Opal diffuser made of polycarbonate (DO)

Direct lighting:

- 3-circuits track integrated into the underside

TECHNICAL FEATURES:

- Can be mounted continuous row
- Rectangular section, size 57x150 mm
- Endcap made of die cast aluminium
- Static heat sink
- **Weight** : Approx. 5 kg / m
- **Number of module(s)** : Depends on the length of the luminaire
- **Driver(s)** : Fixed, Dimmable DALI (CDIMMDALI)
- **Option(s)** : R-G-B-Y colour or trichotomy LED

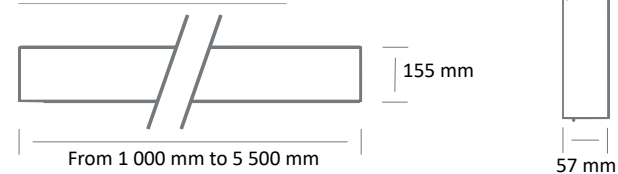
Driver(s)



Standards

Class I | IK07 | 850°

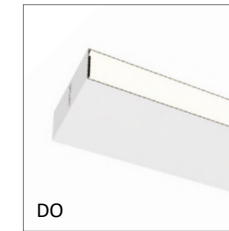
Dimensions



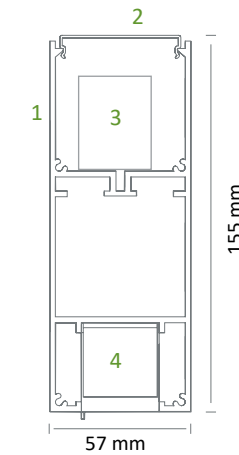
ITEM	LENGTH (MM)	POWER	CONSUMPTION	LUMINOUS FLUX	SYSTEM EFFICIENCY	COLOUR TEMPERATURE	CRI	EFFICIENCY ENERGY CLASS
SE 3516 LED 4400-830	1200	25 W	29 W	4345 lumens	149,8 lm/W	3000 K	80	C
SE 3516 LED 4400-840	1200	25 W	29 W	4574 lumens	157,7 lm/W	4000 K	80	C
SE 3516 LED 6600-830	1800	36,6 W	42,1 W	6380 lumens	151,5 lm/W	3000 K	80	C
SE 3516 LED 6600-840	1800	36,6 W	42,1 W	6716 lumens	159,5 lm/W	4000 K	80	C
SE 3516 LED 7800-830	2400	43,2 W	49,1 W	7535 lumens	153,5 lm/W	3000 K	80	C
SE 3516 LED 7800-840	2400	43,2 W	49,1 W	7932 lumens	161,5 lm/W	4000 K	80	C
SE 3516 LED 8800-830	2400	49,9 W	56,7 W	8690 lumens	153,3 lm/W	3000 K	80	C
SE 3516 LED 8800-840	2400	49,9 W	56,7 W	9148 lumens	161,3 lm/W	4000 K	80	C
SE 3516 LED 11000-830	3000	59,8 W	67,9 W	10 450 lumens	153,9 lm/W	3000 K	80	C
SE 3516 LED 11000-840	3000	59,8 W	67,9 W	11 000 lumens	162 lm/W	4000 K	80	C

SE 3516 LED

OPTICALS

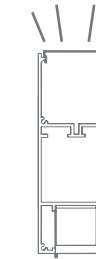


CROSS SECTION

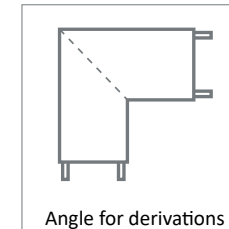


- 1 Body made of extruded aluminium profile
- 2 Indirect lighting diffuser
- 3 Indirect lighting tray (in option)
- 4 3-circuit track

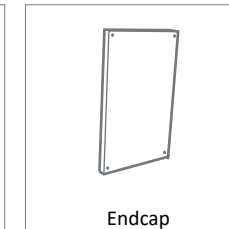
LIGHTING CONFIGURATION



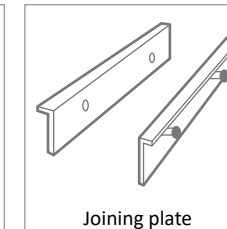
ACCESSORIES



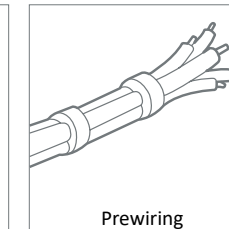
Angle for derivations



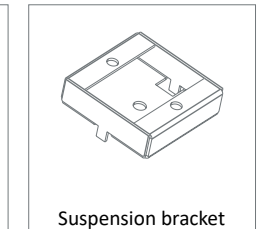
Endcap



Joining plate



Prewiring



Suspension bracket

LIGHTING MIRROR



ME 5104 LED



LED DYNAMIC LIGHTING MIRROR

- Maximum 6600 lumens
- CRI of 80
- Available in 2900 K, 3500 K and 5000 K
- 35 000 hours lamp life
- Luminous efficiency of system up to 94,3 lm/W
- Touch control : Control by 3 buttons for 3 light atmospheres
- Protective edges in black painted steel
- **Option(s)** : Backlight from 3 sides (top, right, left), presence sensor

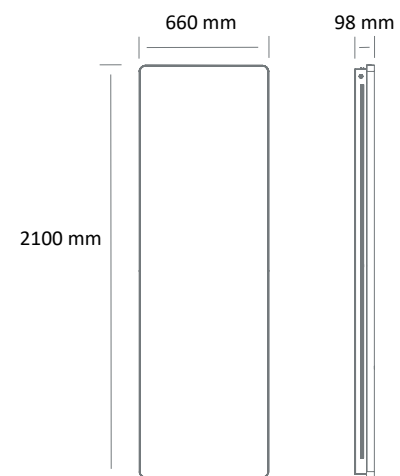
Driver(s)



Standards

Class II | IP 20 | 650°

Dimensions



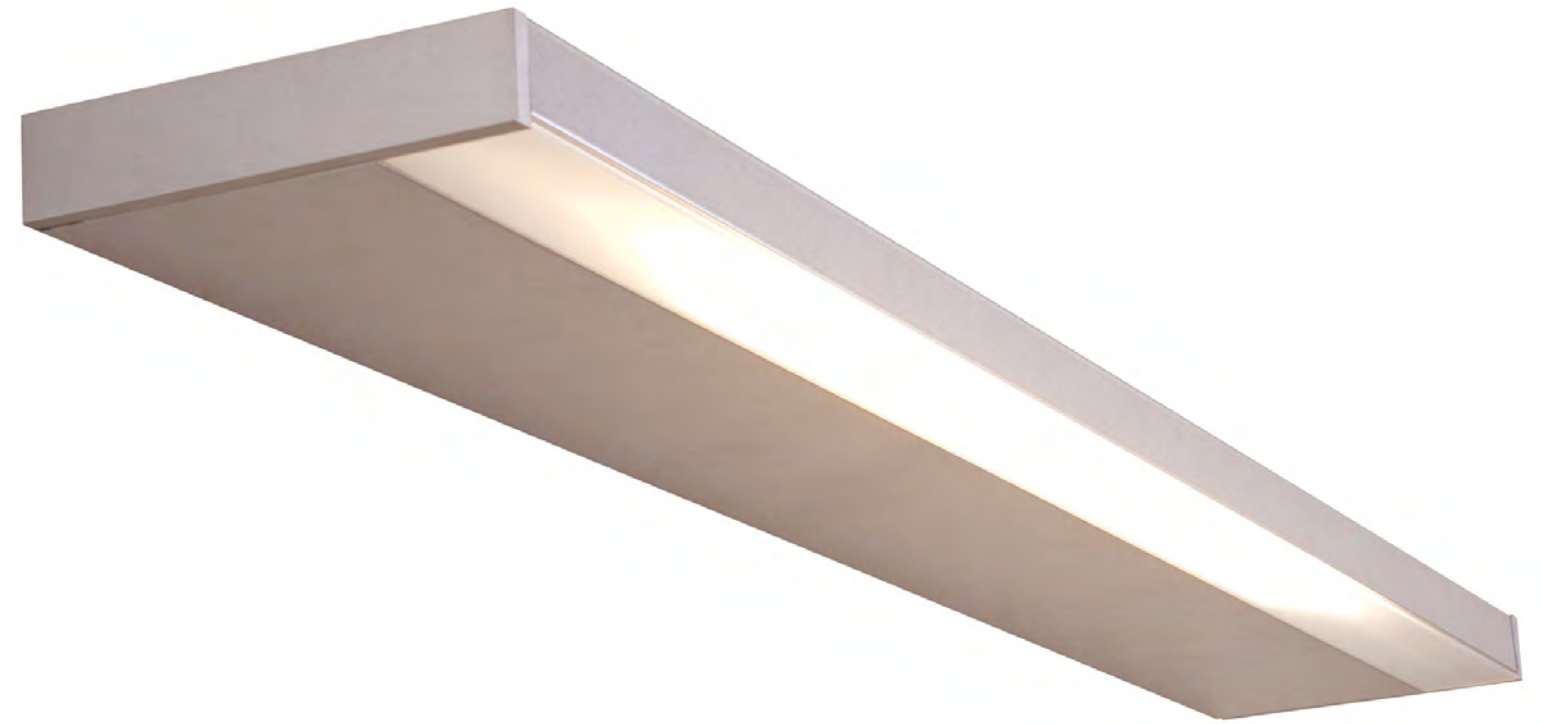
Front lighting

ITEM	CONSUMPTION	LUMINOUS FLUX	SYSTEM EFFICIENCY	COLOUR TEMPERATURE	CRI
ME 5104 LED 6600 - TW	70W	6600 lumens	94,3 lm/W	2900 K / 3500 K / 5000 K	80

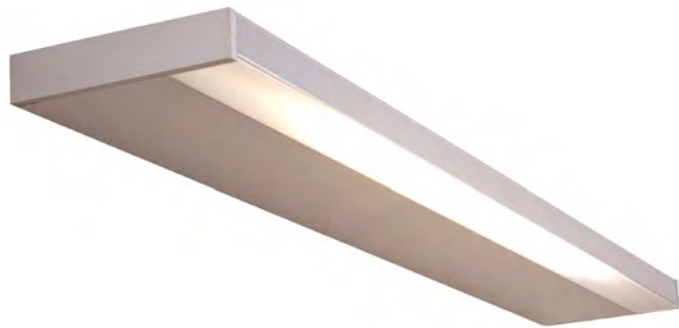
Back lighting

ITEM	CONSUMPTION	LUMINOUS FLUX	SYSTEM EFFICIENCY	COLOUR TEMPERATURE	CRI
ME 5104 LED 3500 - TW	78W	3550 lumens	45,5 lm/W	2900 K / 3500 K / 5000 K	80

WALL MOUNTED



AL 4065 LED



Colour(s)



WALL MOUNTED LED

- Wall mounted luminaire with direct and indirect lighting for Linear LED module, maximum 6 255 lumens
- CRI of 80
- MacAdam Ellipse : 3 SDCM
- Available in 3 000 K and 4 000 K
- Up to 50 000 hours lamp life (L80B50)
- Luminous efficiency of system up to 158,8 lm/W
- Direct lighting diffuser made of satiny polycarbonate
- Indirect lighting diffuser made of clear polycarbonate
- Reflector made of MIRO 20 Silver® aluminium
- Profile made of painted aluminium
- Static heat sink
- Weight** : Approx. 4,5 kg (1050 mm), 6 kg (1300 mm)
- Power/ Number of Feet(s)** : 2 FTs for direct lighting, 3 FTs or 4 FTs for indirect lighting
- Driver(s)** : Fixed (C Fixed), Dimmable DALI (CDIMMDALI)

Driver(s)



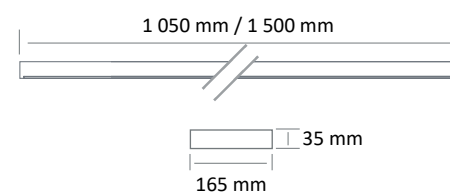
Standards

Class I | IP 20 | 650°

Beam(s)



Dimensions



AL 3739 LED



Colour(s)



APPLIQUES LED

- Wall mounted luminaire with direct and indirect lighting for Linear LED module, maximum 1 733 lumens
- CRI of 80
- MacAdam Ellipse : 3 SDCM
- Available in 3000 K or 4000 K
- 50 000 hours lamp life (L80B50)
- Luminous efficiency of system up to 115,5 lm/W
- Direct lighting diffuser made of satiny polycarbonate
- Indirect lighting diffuser in clear satin polymethyl methacrylate with anti-UV treatment
- Reflector made of MIRO 20 Silver® aluminium
- Profile made of painted aluminium
- Static heat sink
- Power/ Number of Feet(s)** : 2 Ft
- Driver(s)** : Fixed (C Fixed), Dimmable DALI (CDIMMDALI)

Driver(s)



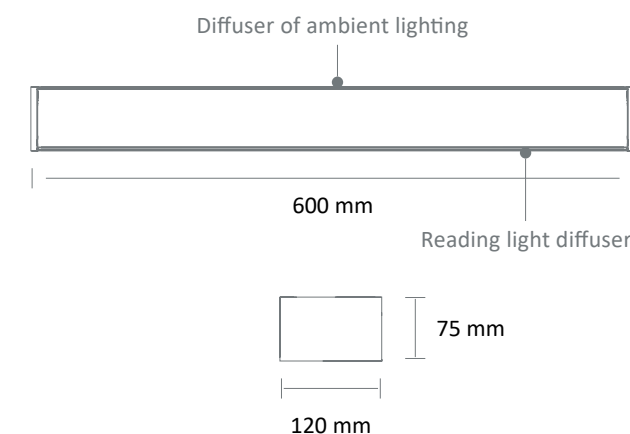
Standards

Classe I | IP 20 | 650°

Beam(s)



Dimensions



ITEM	TYPE	POWER	CONSUMPTION	LUMINOUS FLUX	SYSTEM EFFICIENCY	COLOUR TEMPERATURE	CRI	EFFICIENCY ENERGY CLASS
AL 4065 LED 5000-830	General lighting	28,7 W (3 Ft)	33,2 W	5039 lumens	151,9 lm/W	3000	80	C
AL 4065 LED 6300-840	General lighting	35,3 W (3 Ft)	40,8 W	6255 lumens	153,4 lm/W	4000	80	C
AL 4065 LED 3500-830	General lighting	23,7 W (3 Ft)	27,9 W	3470 lumens	124,5 lm/W	-	80	C
AL 4065 LED 4600-840	General lighting	31,6 W (4 Ft)	35,1 W	4630 lumens	132 lm/W	-	80	C
AL 4065 LED 1700-830	Reading lighting	8,9 W (2 Ft)	10,8 W	1710 lumens	158,8 lm/W	3000	80	C

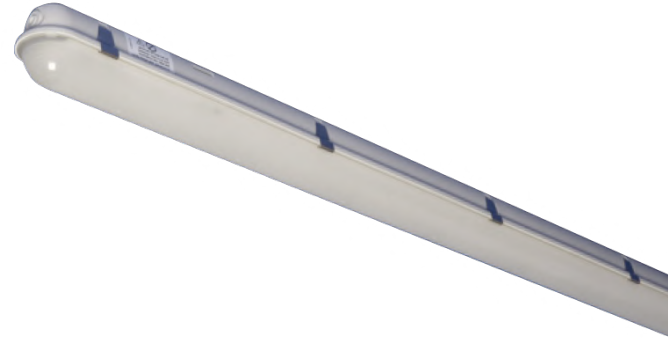
ITEM	TYPE	POWER	CONSUMPTION	LUMINOUS FLUX	SYSTEM EFFICIENCY	COLOUR TEMPERATURE	CRI	EFFICIENCY ENERGY CLASS
AL 3739 LED GOODLIGHT-830	General lighting	11,8 W (2 Ft)	15 W	1733 lumens	115,5 lm/W	3000	80	C
AL 3739 LED GOODLIGHT-840	General lighting	11,8 W (2 Ft)	15 W	1733 lumens	115,5 lm/W	4000	80	C
AL 3739 LED GOODLIGHT-830	Reading lighting	11,8 W (2 Ft)	15 W	1733 lumens	115,5 lm/W	3000	80	C
AL 3739 LED GOODLIGHT-840	Reading lighting	11,8 W (2 Ft)	15 W	1733 lumens	115,5 lm/W	4000	80	C

EXTRA PROTECTED LUMINAIRES





ET 2658 LED



EXTRA PROTECTED LUMINAIRES - LED

- Waterproof IP 65 ceiling mounted luminaire for LINEAR LED module, maximum 8 120 lumens
- CRI of 80
- Ellipse de MacAdam : 3 SDCM
- Available in 4 000 K
- 50 000 hours lamp life (L80B10)
- Luminous efficiency of system up to 160,9 lm/W
- Housing made of injected polycarbonate
- Opal optical
- Clip made of stainless steel
- Static heat sink
- Fixed terminal with an installation and electrical connection (2 compression-gland)
- Weight** : Approx. 2,5 kg
- Driver(s)** : Fixed, 1-10 V Driver (1-10V), Dimmable DALI
- Option(s)** : Electrical connection (through wiring, Lighting sensor)

Driver(s)



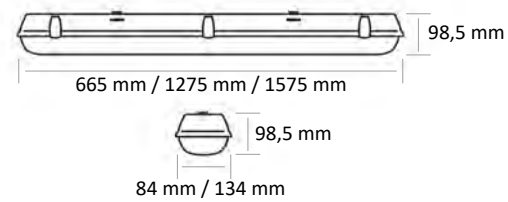
Standards

Class I | IP 65 | 850° | IK 08

Light distribution



Dimensions



Colour(s)



ITEM	DIMENSIONS (mm)	CONSUMPTION	LUMINOUS FLUX	SYSTEM EFFICIENCY	COLOUR TEMPERATURE	CRI	EFFICIENCY ENERGY CLASS
ET 2658 LED 2130-840	665x84x98,5	14W	2130 lumens	152,1 lm/W	4000 K	80	D
ET 2658 LED 4300-840	1275x84x98,5	27W	4343 lumens	160,9 lm/W	4000 K	80	D
ET 2658 LED 5800-840	1275x84x98,5	40W	5830 lumens	145,7 lm/W	4000 K	80	D
ET 2658 LED 8100-840	1575x134x98,5	55W	8120 lumens	147,6 lm/W	4000 K	80	D

Accessories



Stainless steel clip

ET 2481-C LED



Colour(s)



EXTRA PROTECTED LUMINAIRES - LED

- Tubular LED luminaire Waterproof IP68 for LINEAR MODULE maximum 4 038 lumens
- CRI of 80
- MacAdam Ellipse : 3 SDCM
- Available in 4 000 K
- 80 000 hours lamp life (L90B10)
- Luminous efficiency of system up to 144 lm/W
- Opale diffuser
- Made of Ø72mm transparent or opal polycarbonate tube, with inner aluminium profile and injected transparent polycarbonate end caps.
- Static heat sink
- Dust and waterproof optical compartment (IP 68)
- For ceiling surface mounted or suspended and wall mounted application
- Standard body lengths** : 620 mm, 900 mm, 1180 mm, 1460 mm
- Weight** : Approx. 1,4 Kg (620 mm), 1,8 Kg (900 mm), 2,1 Kg (1180 mm), 2,4 Kg (1460 mm)

Driver(s)



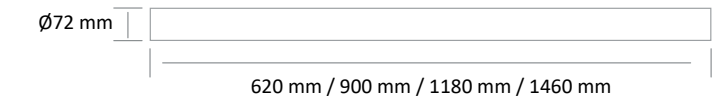
Standards

Class II | IP 68 | IK 10 | 650°

Beam(s)



Dimensions



ITEM	LENGTH	CONSUMPTION	LUMINOUS FLUX	SYSTEM EFFICIENCY	COLOUR TEMPERATURE	CRI	EFFICIENCY ENERGY CLASS
ET 2481-C LED 1600-840	620 mm	13W	1596 lumens	123 lm/W	4000 K	80	B
ET 2481-C LED 2400-840	900 mm	18W	2394 lumens	133 lm/W	4000 K	80	B
ET 2481-C LED 3200-840	1180 mm	23W	3192 lumens	139 lm/W	4000 K	80	B
ET 2481-C LED 4000-840	1460 mm	28W	4038 lumens	144 lm/W	4000 K	80	B

ET 2481-A LED VERTICAL



Colour(s)



EXTRA PROTECTED LUMINAIRE ■ LED

- Waterproof IP 40 ceiling mounted luminaire for LINEAR LED module, maximum 3 744 lumens
- CRI of 80
- Ellipse de MacAdam : 3 SDCM
- Available in 4 000 K
- 70 000 hours lamp life (L80B10)
- Luminous efficiency of system up to 101,2 lm/W
- Housing made of injected polycarbonate
- Opal optical
- Aluminum end caps
- Static heat sink
- Weight** : 0,4 kg, 0,65 kg, 0,7 kg, 0,83 kg, 0,98 kg, 1,3 kg
- Driver(s)** : Fixed, 1-10 V Driver (1-10V), Dimmable DALI (CDIMMDALI)
- Option(s)** : Transparent power cable and coat bracket suspension
- Photobiological risk group 0**

Driver(s)



Standards

Class I | IP 40 | 360° | RGO

Light distribution



Dimensions

570 mm / 970 mm / 1270 mm
1570 mm / 1870 mm / 2070 mm



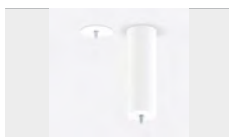
50 mm

ITEM	LENGTH (mm)	CONSUMPTION	LUMINOUS FLUX	SYSTEM EFFICIENCY	COLOUR TEMPERATURE	CRI	EFFICIENCY ENERGY CLASS
ET 2481-A LED VERTICAL-900-840	570	10W	912 lumens	91,2 lm/W	4000 K	80	D
ET 2481-A LED VERTICAL-1600-840	970	18W	1685 lumens	93,6 lm/W	4000 K	80	D
ET 2481-A LED VERTICAL-2200-840	1270	23W	2275 lumens	99 lm/W	4000 K	80	D
ET 2481-A LED VERTICAL-2900-840	1570	29W	2916 lumens	100,6 lm/W	4000 K	80	D
ET 2481-A LED VERTICAL-3300-840	1870	34W	3370 lumens	99,1 lm/W	4000 K	80	D
ET 2481-A LED VERTICAL-3700-840	2070	37W	3744 lumens	101,2 lm/W	4000 K	80	D

Accessoires



Power cable
2 x 0,75mm² of transparent cable



Suspended bracket

ET 2585 LED



Colour(s)



Ø122 mm

EXTRA PROTECTED LUMINAIRE ■ LED

- Waterproof circular recessed downlight for LED DOWNLIGHT module, maximum 1 400 lumens
- CRI of 90
- MacAdam Ellipse : 3 SDCM
- Available in 3 000 K and 4 000 K
- 50 000 hours lamp life (L80B10)
- Luminous efficiency of system up to 153,6 lm/W
- Springs in pressure for easier installation
- Matt white aluminium reflector
- Static heat sink
- Weight** : Approx. 0,6 kg
- Driver(s)** : Fixed, Dimmable DALI

Driver(s)



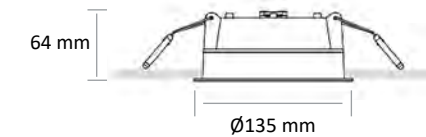
Standards

Class II | IP 43 | 650°

Beam(s)



Dimensions



ITEM	CONSUMPTION	LUMINOUS FLUX	SYSTEM EFFICIENCY	COLOUR TEMPERATURE	CRI	EFFICIENCY ENERGY CLASS
ET 2585 LED 1000-930	7W	1050 lumens	150 lm/W	3000 K	90	D
ET 2585 LED 1000-940	7W	1075 lumens	153,6 lm/W	4000 K	90	D
ET 2585 LED 1400-930	10W	1375 lumens	137,5 lm/W	3000 K	90	D
ET 2585 LED 1400-940	10W	1400 lumens	140 lm/W	4000 K	90	D

ET 2206 LED

EXTRA PROTECTED LUMINAIRES - LED

ET 2206 LED



ET 2206-A LED - 20W



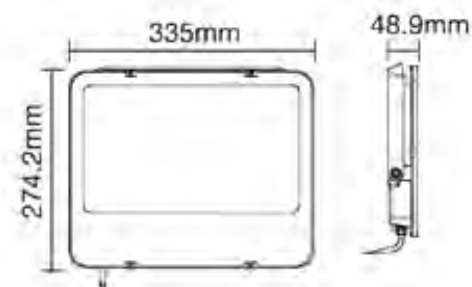
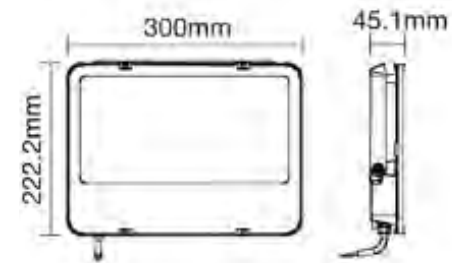
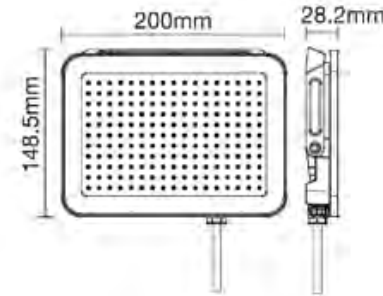
ET 2206-B LED - 50W



ET 2206-E LED - 100W



ET 2206-F LED - 150W



- Waterproof orientable projector IP65 for module LED SPOT, maximum 21 000 lumens
- CRI of 80
- MacAdam Ellipse : 5 SDCM
- Manual color temperature selection : 3000 K, 3500 K and 4000 K
- 35 000 hours lamp life (L70B50)
- Luminous efficiency of system up to 140 lm/W
- Housing made of injected aluminium
- Static heat sink
- Driver(s) : Fixed**

Driver(s)



Standards

Class I | IP 65 | RG1 | IK07 | 650°
Sensor : IP 44

Beam(s)



ITEM	CONSUMPTION	LUMINOUS FLUX	SYSTEM EFFICIENCY	COLOUR TEMPERATURE	CRI
ET 2206-A LED 2300Lm 830-835-840	20 W	2300 lumens	115 lm/W	3000 - 3500 - 4000 K	80
ET 2206-B LED 5400Lm 830-835-840	50 W	5400 lumens	108 lm/W	3000 - 3500 - 4000 K	80
ET 2206-E LED 14000Lm ASY 830-835-840	100 W	14000 lumens	140 lm/W	3000 - 3500 - 4000 K	80
ET 2206-F LED 21000Lm ASY 830-835-840	150 W	21000 lumens	140 lm/W	3000 - 3500 - 4000 K	80

Colour(s)



ET 2207 LED



Colour(s)



EXTRA PROTECTED LUMINAIRES ■ LED

- Waterproof IP 65 wall mounted luminaire for LINEAR LED module, maximum 1 660 lumens
- CRI of 80
- MacAdam Ellipse : 6 SDCM
- Available in 3 000 K, 4 000 K and 5 000 K
- Up to 50 000 hours lamp life
- Luminous efficiency of system up to 95,5 lm/W
- Polycarbonate basin
- **Driver(s)** : Fixed
- **Option(s)** : Infrared presence detector (PIR), colored bezel (black, white, grey, bronze, aluminium, chrome, brass)

Driver(s)



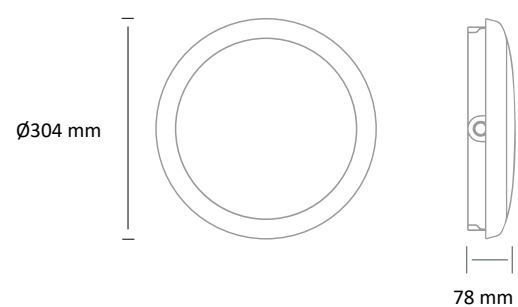
Standards

Class II | IP 65 | 650° | IK10

Light distribution



Dimensions



The luminaire is adjustable in luminous flux and color temperature during installation.

ITEM	CONSUMPTION	LUMINOUS FLUX	SYSTEM EFFICIENCY	COLOUR TEMPERATURE	CRI	EFFICIENCY ENERGY CLASS
ET 2207 LED-800-830	9 W	810 lumens	90 lm/W	3 000 K	80	E
ET 2207 LED-800-840	9 W	860 lumens	95,5 lm/W	4 000 K	80	E
ET 2207 LED-800-850	9 W	860 lumens	95,5 lm/W	5 000 K	80	E
ET 2207 LED-1000-830	12 W	1080 lumens	90 lm/W	3 000 K	80	E
ET 2207 LED-1100-840	12 W	1140 lumens	95 lm/W	4 000 K	80	E
ET 2207 LED-1100-850	12 W	1140 lumens	95 lm/W	5 000 K	80	E
ET 2207 LED-1500-830	18 W	1560 lumens	86,6 lm/W	3 000 K	80	E
ET 2207 LED-1600-840	18 W	1660 lumens	92,2 lm/W	4 000 K	80	E
ET 2207 LED-1600-850	18 W	1660 lumens	92,2 lm/W	5 000 K	80	E

BATTEN LUMINAIRES / LED FLEX



RG 2509 LED

BATTEN LUMINAIRES / LED FLEX LED

- Linear adjustable strip light for LINEAR LED module, maximum 18 W
- CRI of 80
- Can be mounted continuous row up to 10 meters
- 50 000 hours lamp life
- Luminous efficiency of system up to 106 lm/W
- Available in 3 000 K and 4 000 K
- Housing made of painted steel, plastic endcap, opal diffuser
- Static heat sink
- **Weight** : Approx. 0,3 kg
- **Driver(s)** : Fixed
- **Accessorie(s)** : Flexible joints 150 mm, 300 mm, 1 200 mm; Power Supply 1 800 mm

Driver(s)



Standards

Class I | IP 20 | 650°

Beam(s)



Dimensions



Colour(s)



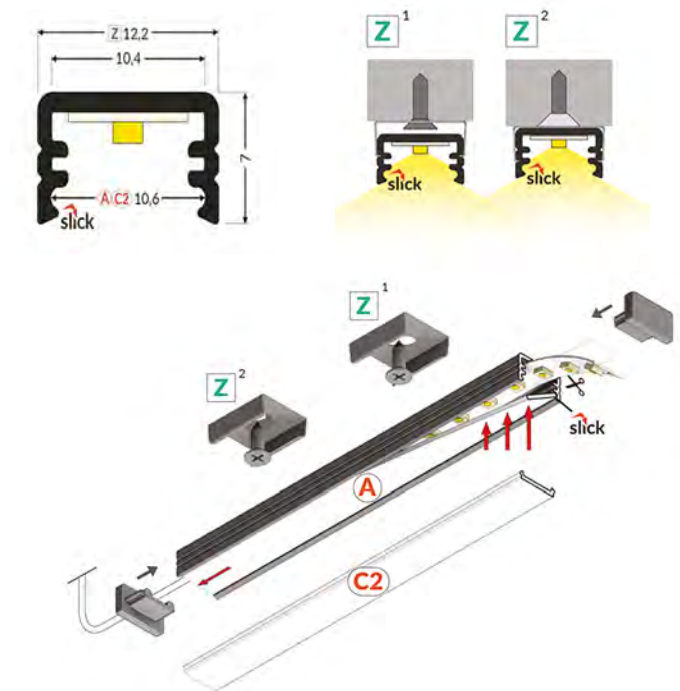
ITEM	LENGTH (MM)	MAX NUMBER OF BATTEN LUMINAIRES / LINE	POWER	LUMINOUS FLUX	SYSTEM EFFICIENCY	COLOUR TEMPERATURE	CRI
RG 2509 LED 466-840	307	20	5W	466 lumens	93 lm/W	4000 K	80
RG 2509 LED 895-840	568	15	9W	895 lumens	99,5 lm/W	4000 K	80
RG 2509 LED 1262-840	868	12	12W	1262 lumens	105 lm/W	4000 K	80
RG 2509 LED 1592-840	1168	10	15W	1592 lumens	106 lm/W	4000 K	80
RG 2509 LED 1781-840	1438	8	18W	1781 lumens	99 lm/W	4000 K	80
RG 2509 LED 425-830	307	20	5W	425 lumens	85 lm/W	3000 K	80
RG 2509 LED 837-830	568	15	9W	837 lumens	93 lm/W	3000 K	80
RG 2509 LED 1181-830	868	12	12W	1181 lumens	98,5 lm/W	3000 K	80
RG 2509 LED 1491-830	1168	10	15W	1491 lumens	99,5 lm/W	3000 K	80
RG 2509 LED 1734-830	1438	8	18W	1734 lumens	96,5 lm/W	3000 K	80

ALUMINIUM PROFILE

BATTEN LUMINAIRES / LED FLEX

- Aluminium profile for LED flex, length up to 2 meters
- Associate with divisible LED flex, see configurations below
- LED width max 8 mm
- For IP20 LED flex
- Aluminium profile
- Diffusers : Clear (DC) or opal (DO) made of polycarbonate

Dimensions



Colour(s)

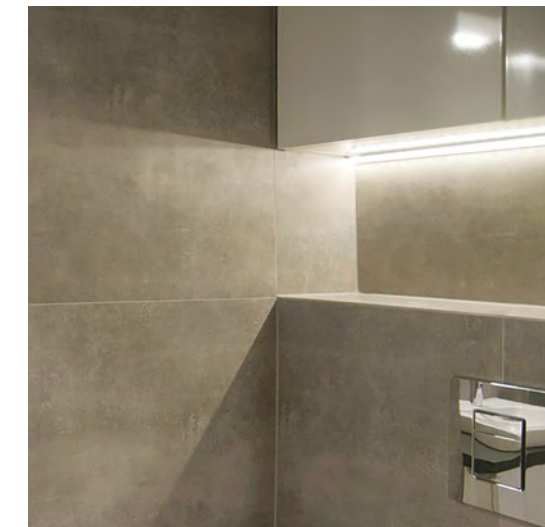


Accessories

End cap



Fixing clip



60° ALUMINIUM PROFILE



Colour(s)



Accessories

End cap



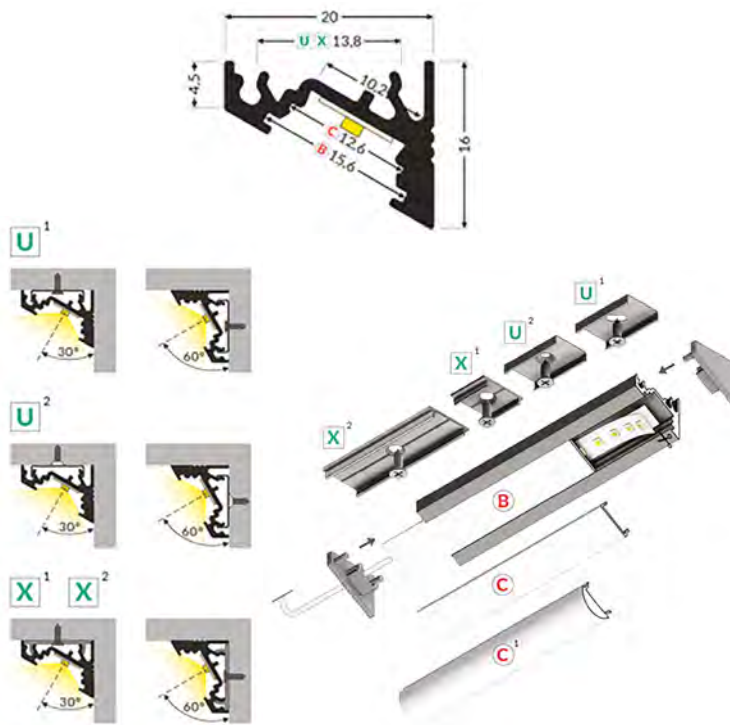
Fixing clip



BATTEN LUMINAIRES / LED FLEX

- Aluminium profile for LED flex, length up to 2 meters
- Associate with divisible LED flex, see configurations below
- LED width max 10 mm
- For IP20 LED flex
- Aluminium profile
- Diffusers : Clear (DC) or opal (DO) made of polycarbonate

Dimensions



LED FLEX



Colour(s)



BATTEN LUMINAIRES / LED FLEX

- LED FLEX maximum 2 500 lumens
- CRI of 80 et 90
- MacAdam Ellipse : 3 SDCM
- Up to 50 000 hours lamp life
- Luminous efficiency of system up to 164 lm/W
- Available in 2700 K, 3 000 K, 4 000 K et 6 500 K

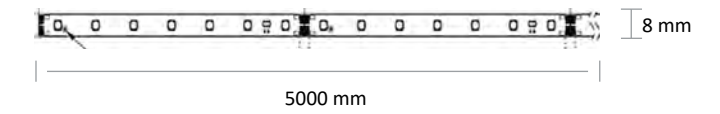
Standards

Class II | IP 20 | 650°

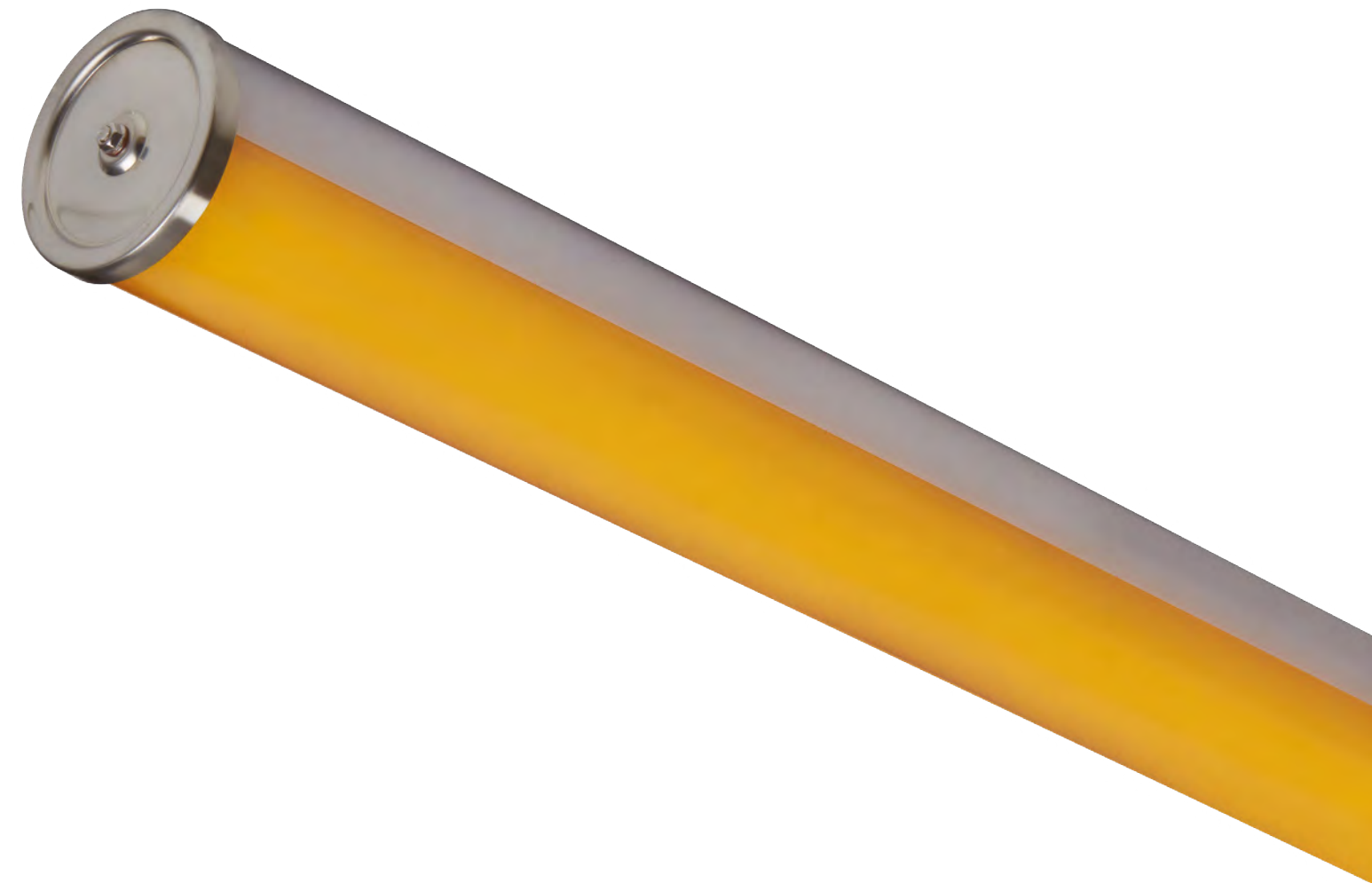
Beam(s)



Dimensions



LUMINAIRES FREE OF UV AND IR WINE AND CHAMPAGNE CELLAR





ET 2194-A LED CELLAR

✓ Luminaire meeting the requirements of the amber luminaire qualification protocol for the storage of bottles of the Comité Champagne



LUMINAIRES FREE OF UV AND IR - LED

- Waterproof IP 65 ceiling mounted luminaire for LINEAR LED module, maximum 4 300 lumens
- MacAdam Ellipse : 3 SDCM
- 50 000 hours lamp life
- Luminous efficiency of system up to 88 lm/W
- Housing made of injected polycarbonate
- Opal optical
- Clip made of stainless steel
- Static heat sink
- Fixed terminal with an installation and electrical connection (1 male-female plug connector)
- Weight** : Approx. 4 kg
- Number of modules** : 2
- Driver(s)** : Fixed, Dimmable DALI
- Option(s)** : Electrical connection (2 Removables terminals blocks with through wiring)

Driver(s)



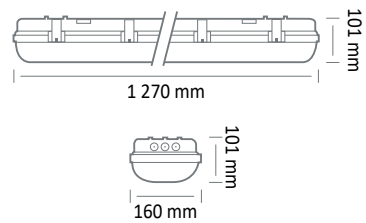
Standards

Class I | IP 65 | 850° | IK 08

Beam(s)



Dimensions



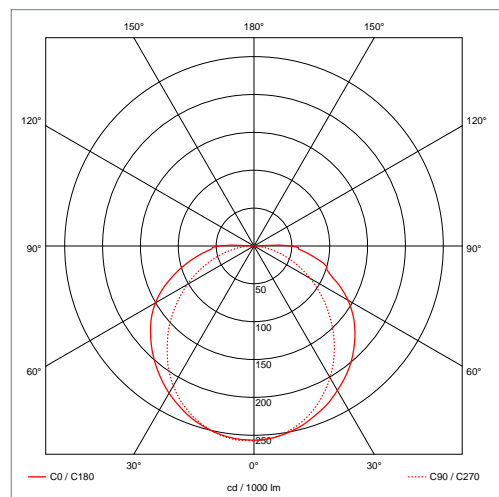
Colour(s)



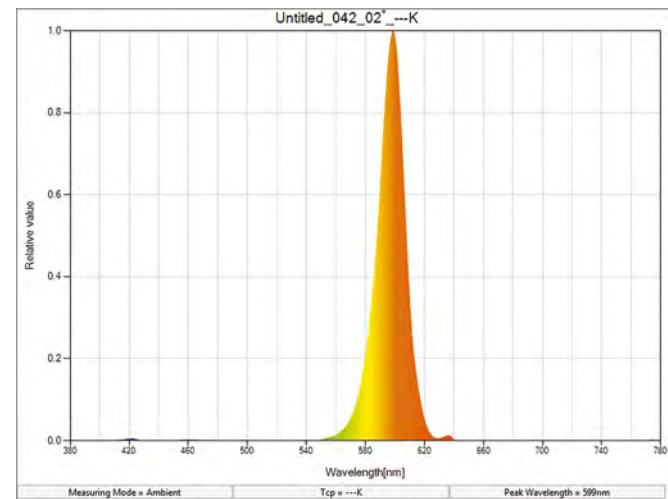
ITEM	CONSUMPTION	LUMINOUS FLUX	SYSTEM EFFICIENCY 12°C*	SYSTEM EFFICIENCY 25°C*	COLOUR TEMPERATURE
ET 2194-A LED CELLAR-4300	48,6 W	4300 lumens	88 lm/W	71,6 lm/W	Amber

*Room temperature.

Light distribution




Spectral distribution

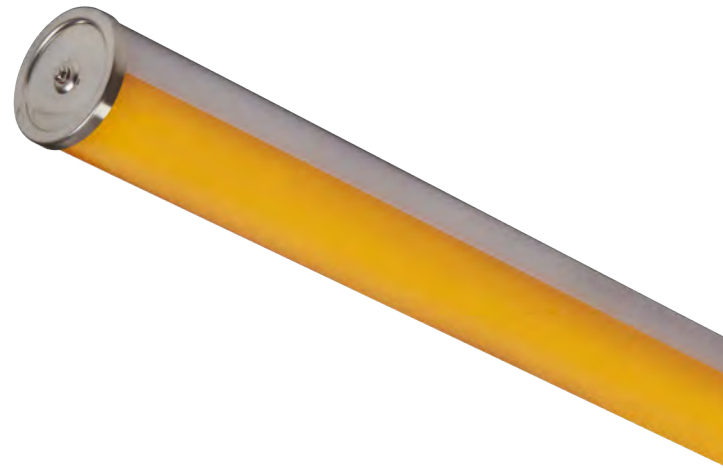


Accessories



ET 5029 LED CELLAR

 Luminaire meeting the requirements of the amber luminaire qualification protocol for the storage of bottles of the Comité Champagne



Colour(s)



LUMINAIRES FREE OF UV AND IR

- Waterproof IP 65 ceiling mounted luminaire for linear LED module, maximum 4 300 lumens
- MacAdam Ellipse : 3 SDCM
- 50 000 hours lamp life
- Luminous efficiency of system up to 88 lm/W
- Opal diffuser made of polycarbonate extruded (DO)
- Clips and endcap made of stainless steel
- LED of power with ceramic housing, aluminum substrate
- Neutral diffuser which doesn't modify the light spectrum
- Possible maintenance thanks to the replacement of the light source
- Static heat sink
- Weight** : Approx. 2,6 kg
- Number of modules** : 1
- Driver(s)** : Fixed, Dimmable DALI

Driver(s)



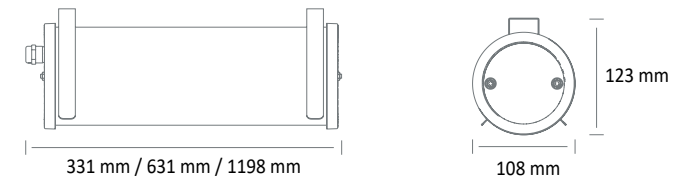
Standards

Class I | IP 65 | 850° | IK 8

Beam(s)



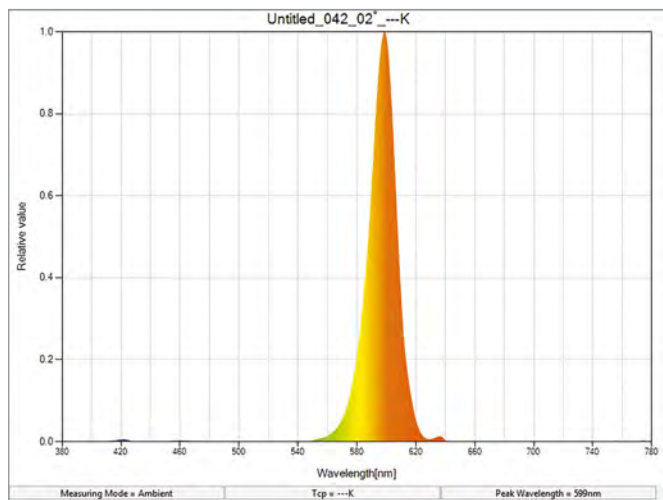
Dimensions



ITEM	LENGTH	CONSUMPTION	LUMINOUS FLUX	SYSTEM EFFICIENCY 12°C*	SYSTEM EFFICIENCY 25°C*	COLOUR TEMPERATURE
ET 5029 LED CELLAR-1100	331 mm	13,5 W	1100 lumens	81,2 lm/W	64,59 lm/W	Amber
ET 5029 LED CELLAR-2200	631 mm	25,7 W	2200 lumens	85,2 lm/W	67,7 lm/W	Amber
ET 5029 LED CELLAR-4300	1198 mm	48,6 W	4300 lumens	88 lm/W	71,6 lm/W	Amber

*Room temperature.

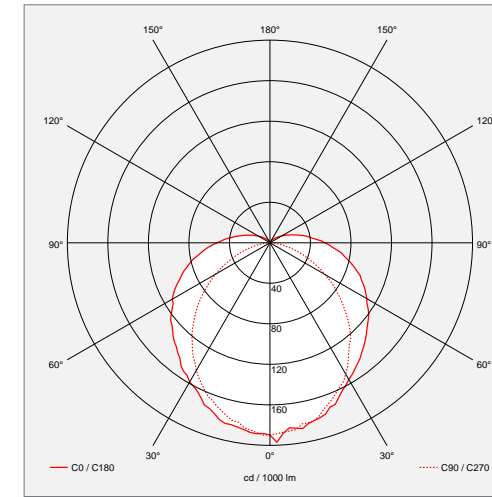
Spectral distribution



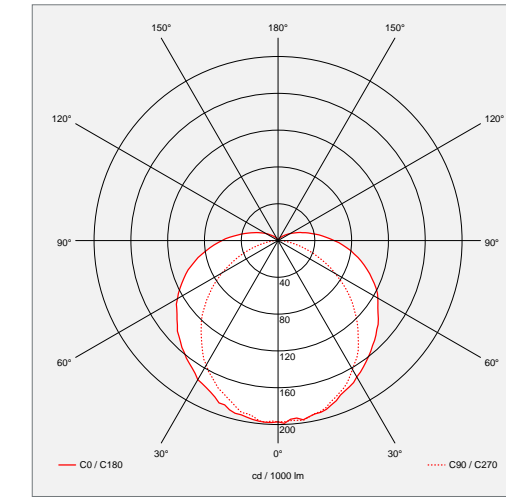
ET 5029 LED

LIGHT DISTRIBUTION

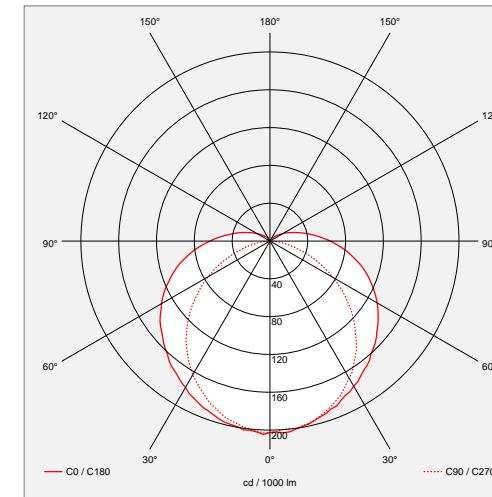
Length: 331 mm



Length: 631 mm



Length: 1198 mm



TRACK LIGHTING LUMINAIRES

**ACCENT LIGHTING - LED PROJECTORS
230V and 48V**

PR 5140-A LED	P. 26
PR 5140-A LED GHOST	P. 26
PR 5140-A LED ELL	P. 26
PR 5140-A LED ICOB	P. 29
PR 5140-B LED	P. 31
PR 5140-B LED GHOST	P. 31
PR 5140-B LED ICOB	P. 33
PR 5140-C LED	P. 35
PR 5140-C LED GHOST	P. 35
PR 2070 LED	P. 38
PR 2071 LED	P. 39
PR 2076 LED	P. 40
PR 2041-A1 LED	P. 41
PR 2041-B1 LED	P. 42
PR 2064 LED	P. 43
PR 2220-A LED	P. 44
PR 2220-B LED	P. 45
PR 3008 PAR 46	P. 46
PR 5084-A LED	P. 52
PR 5084-L LED GHOST	P. 53
PR 5084-H LED ZOOM	P. 54
PR 5084-D LED GHOST 48V	P. 55

WALL WASHERS

PR 5051-D LED	P. 60
PR 5017-E LED	P. 62
LS 3945-B LED DASY	P. 64
LS 3945-E LED ASY	P. 68

GENERAL LIGHTING - LED LIGHTING FIXTURES

LS 5017-J LED	P. 74
LS 5017-K LED	P. 78
LS 3976 LED	P. 82
LS 3976 LED ASY	P. 86
LS 3976 PIVOT 90° LED	P. 88
LS 3954 LED	P. 90
LS 3954 LED ASY	P. 91
LS 5076 PIVOT LED	P. 94
LS 5145 LED	P. 95
LS 2316-A LED	P. 96
LS 2316-C LED	P. 97
LS 5121-A LED	P. 98
LS 5121-D LED	P. 99
LS 5121-F LED	P. 100

TRACKS - 230V AND 48V

48V Tracks	P. 106
48V Tracks	P. 106
48V Trimless Tracks	P. 106
230V 3-Circuit Tracks	P. 108
230V 3-Circuit Recessed Tracks	P. 108
230V H Tracks	P. 110
230V Trimless Tracks	P. 112
230V Curved 3-Circuit Tracks	P. 114

CONTINUOUS ROWS

LC 5141 LED	P. 120
LC 3976 LED EVO	P. 126
LC 3887 LED	P. 134

GRIDDED SYSTEMS

RS 3936 LED	P. 146
RS 3632 LED	P. 152

ORIENTABLE AND ADJUSTABLE

EO 5140-A LED	P. 160
EO 5140-A LED ICOB	P. 161
EO 5140-1A LED	P. 162
EO 5140-2A LED	P. 162
EO 5140-3A LED	P. 162
EO 5140-1A LED ICOB	P. 165
EO 5140-2A LED ICOB	P. 165
EO 5140-3A LED ICOB	P. 165
EO 5140-A LED ROD	P. 167
EO 5140-A LED ROD ICOB	P. 168
EO 5140-B LED	P. 170
EO 5140-B LED ICOB	P. 171
EO 5140-1B LED	P. 172
EO 5140-2B LED	P. 172
EO 5140-3B LED	P. 172
EO 5140-1B LED ICOB	P. 175
EO 5140-2B LED ICOB	P. 175
EO 5140-3B LED ICOB	P. 175
EO 5140-B LED ROD	P. 177
EO 5140-B LED ROD ICOB	P. 178
EO 5140-C LED	P. 179
EO 5140-1C LED	P. 180
EO 5140-2C LED	P. 180
EO 5140-3C LED	P. 180
EO 5140-C LED ROD	P. 183
EO 2243-1 LED	P. 184
EO 2243-2 LED	P. 184
EO 2243-3 LED	P. 184
EO 2242 LED	P. 187
EO 2245-1 LED	P. 188
EO 2245-2 LED	P. 188
EO 2245-3 LED	P. 188
EO 2225 LED	P. 190
EO 2241-A LED	P. 192
EO 2241-B LED	P. 193
EO 2535 LED	P. 194
EO 2250 LED	P. 195
EO 5084 LED TRIM	P. 196
EO 5084 LED ROD	P. 197
EO 2249 LED	P. 198
BT 2153-D LED C50	P. 200

ORIENTABLE AND ADJUSTABLE - TRIMLESS

EO 5084-A LED ROUND	P. 206
EO 5084-A LED SQUARE	P. 207
EO 5084-B LED ROUND	P. 208
EO 5084-B LED SQUARE	P. 209

DOWNLIGHTS

DL 5140-A LED	P. 214
DL 5140-A LED ICOB	P. 215
DL 3806 LED	P. 216
DL 2126 LED	P. 217
DL 2180 LED	P. 218
DL 2380 LED	P. 219
DL 2583 LED	P. 220
DL 2584 LED	P. 221
DL 3977 LED	P. 222
DL 2820 LED	P. 224
DL 2821 TRIMLESS LED	P. 226
DL 2822 LED ASY	P. 228

GORGES

GR 5140 LED	P. 236
GR 3530 LED	P. 244

RECESSED LUMINAIRES

LE 4060 LED	P. 252
LE PANEL LED - 600x600	P. 253
LE PALEL LED - 1200x300	P. 254

CEILING MOUNTED

PL 5140-A LED	P. 258
PL 5140-A LED ICOB	P. 259
PL 5140-B LED	P. 260
PL 5140-B LED ICOB	P. 261

SUSPENDED LUMINAIRES

LS 5177 LED	P. 264
LS 2476 LED	P. 265
LS 2371 LED	P. 266
LS 2465 LED	P. 268
LS 5130 LED	P. 270

HIGH BAY

AR 5140-A LED	P. 276
AR 5140-A LED ICOB	P. 277
AR 5140-B LED	P. 278
AR 5140-B LED ICOB	P. 279
AR 3920 LED	P. 280
AR 3963 LED	P. 281
AR 5036-G LED	P. 282
LS 5148 LED	P. 283
LS 5151 LED	P. 284

DECORATIVE PENDANTS

SD 2249 LED	P. 289
SD 5008-A LED	P. 292
SD 5008-C LED	P. 293
SD 5008-D LED	P. 294
ESTENO	P. 296
CABANA	P. 297
NAMATA	P. 298
AREIA	P. 299
AR 1528 LED	P. 300
AR 5170 LED	P. 301
XENA	P. 302
CALI	P. 303

ALUMINIUM PROFILES

SE 5080 LED	P. 308
SE 5155 LED	P. 314
SE 5165 LED	P. 315
SE 3516 LED	P. 316

LIGHTING MIRROR

ME 5104 LED	P. 320
-------------	--------

WALL MOUNTED

AL 4065 LED	P. 324
AL 3739 LED	P. 325

EXTRA PROTECTED LUMINAIRES

ET 2658 LED	P. 330
ET 2481-C LED	P. 331
ET 2481-A LED	P. 332
ET 2585 LED	P. 333
ET 2206 LED	P. 334
ET 2207 LED	P. 335

BATTEN LUMINAIRES / LED FLEX

RG 2509 LED	P. 340
Aluminium profile	P. 341
60° Aluminium profile	P. 342
LED Flex	P. 343

LUMINAIRES FREE OF UV AND IR WINE AND CHAMPAGNE CELLAR

ET 2194-A LED CELLAR	P. 348
ET 5029 LED CELLAR	P. 350

APPENDIX

INDEX	P. 352
CONNECT BROCHURE	P. 354
CEILING RELIGHTING BROCHURE	P. 358
KEY FIGURES	P. 362



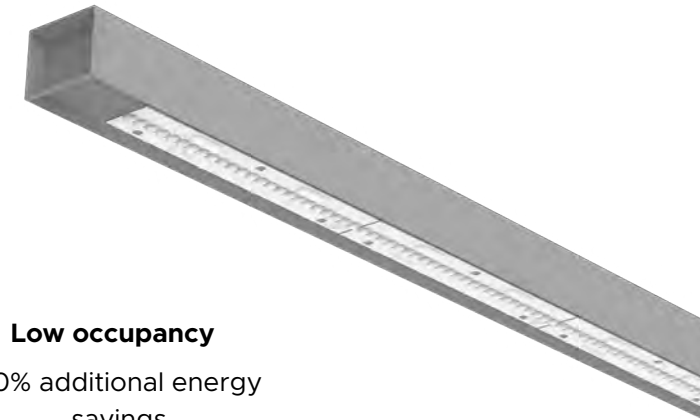
SMART LIGHTING CONNECT SOLUTION

AN INNOVATIVE LIGHTING
CONTROL SYSTEM

OUR CONNECT SOLUTION

In today's shops, the majority of the lighting equipment is permanently switched on at its maximum power, even when no customers are around.

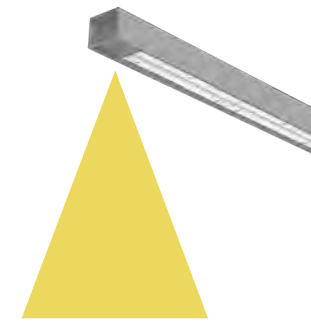
Because our customers are keen to reduce their energy consumption and are sensitive to the environment, we have put in place a control solution that can significantly reduce consumption without compromising their customers' comfort.



Observed results :

High occupancy

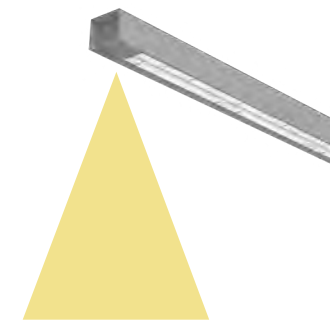
15% additional energy savings



Luminous flux 85%*

Low occupancy

40% additional energy savings



Luminous flux 60%*

The lighting never flicks, and the transition is imperceptible.

Customers won't notice anything, however, in their absence, the shop will make significant energy savings during low-traffic periods.

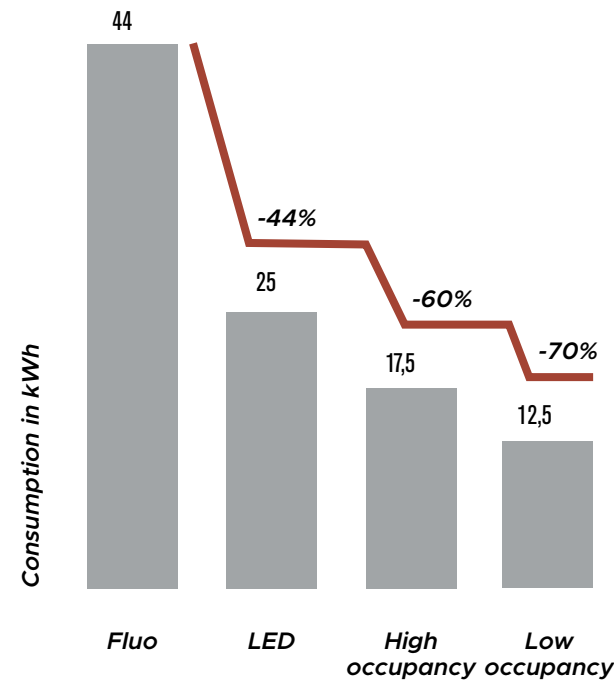
DALI VS CONNECT CONTROL

	DALI	CONNECT
Wiring	DALI (2 wires)	Wireless
System	Centralised (in the TGBT)	Decentralised (in each device)
Occupancy	No impact on consumption	Optimised consumption
Control	By group or by zone	Individual

* This intensity can be adapted to the customer's needs

ECONOMIC AND ECOLOGICAL IMPACT

Example of an installation initially equipped with 400 2x49W fluorescent luminaires replaced by 400 LED luminaires operating at 70% (high occupancy) and 50% (low occupancy).



The installation of LED lighting allows installed power to be reduced by over 40% compared with the old 2x49W fluorescent solution.

Using Connect technology, it is possible to adapt the power of the luminaires according to actual lighting needs.

The energy savings generated, depending on the actual number of visitors to the site, can be as much as 70%, depending on the operation chosen by the operator, who retains control over all these parameters.

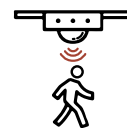
Never before has a system been able to achieve such a reduction in consumption without affecting the customer experience.

To reduce consumption even further, a time control option can be added to the system.

CONNECT SOLUTION SUMMARY



No additional installation costs



Regulation depending on traffic



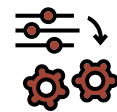
Operation imperceptible to the eye



Customizable settings on the light (timer, ramp, standby levels, high level)



Regulation according to daylight



Customizable settings depending on the zone (periphery, central aisle, secondary aisles, cashiers)



Time function available

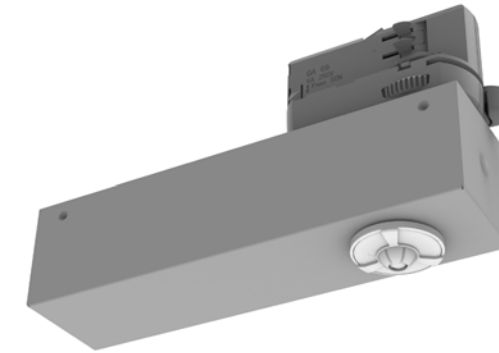


Energy savings achieved independently



Easily reprogrammable according to the operator's needs

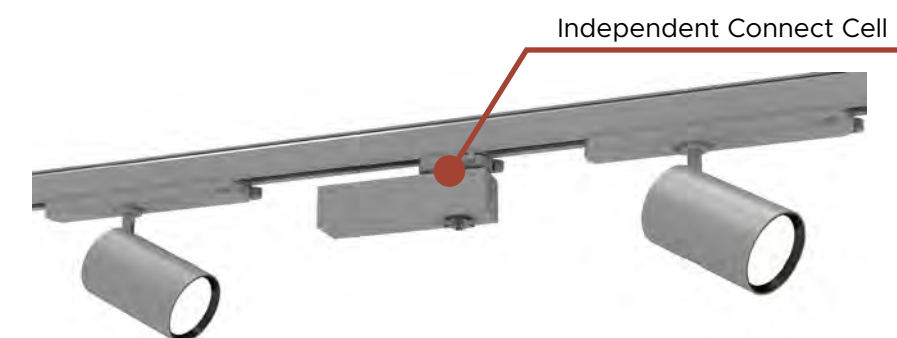
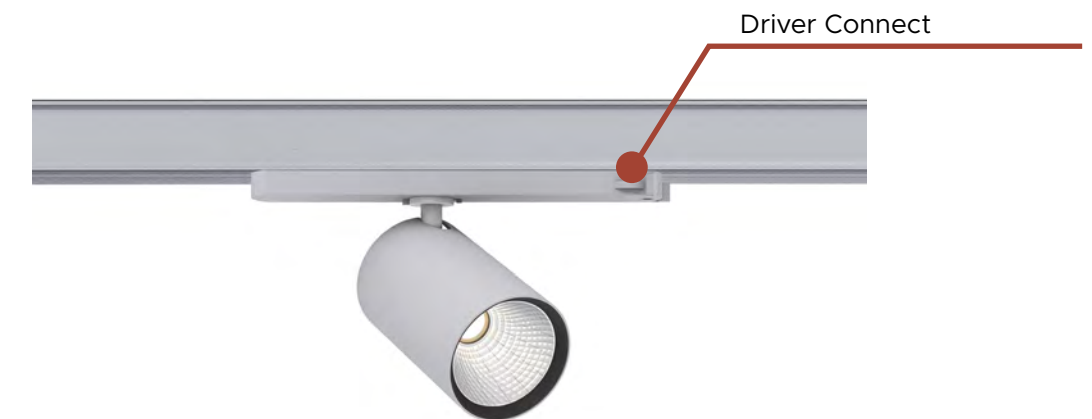
PROJECTOR CONTROL



It is also possible to control a group of projectors depending on the traffic. For this, we use cells installed on 3-CIRCUIT TRACKS.

PRINCIPLE OF OPERATION

Thanks to the independent cells installed on the 3-circuit tracks, each projector regulate its own luminous flux depending on the traffic in store. As for the linear devices, it results an optimized consumption according to the real needs in lighting.





CEILING RELIGHTING KIT

Collars and cassettes made by TRATO are designed and manufactured on demand. They are sized according to the luminaire to integrate and the existing ceiling.

CIRCULAR COLLARS for BA13 ceilings

COLLAR SHAPE	ITEM	INNER DIAMETER (MM)	OUTER DIAMETER (MM)	EXISTING DIAMETER (MM)
	EO 5056 LED TIGE	Ø 68	Ø 230	Ø 210
	EO 5056 LED D145	Ø 132	Ø 250	Ø 220
	EO 5056 LED TIGE	Ø 68	Ø 180	Ø 160
		Ø 68	Ø 130	Ø 110
	DL 2126 LED	Ø 155	Ø 270	Ø 250
		Ø 155	Ø 260	Ø 240
		Ø 155	Ø 230	Ø 210
		EO 5056 LED D120	Ø 128	Ø 180
EO 2225 LED		Ø 118	Ø 180	Ø 160
EO 2241-A LED		Ø 180	Ø 230	Ø 210
		Ø 180	Ø 250	Ø 200
EO 2241-B LED		Ø 150	Ø 225	Ø 195
EO 2242 LED		Ø 195	Ø 350	Ø 300
		Ø 195	Ø 330	Ø 300
		Ø 195	Ø 270	Ø 230


RECTANGULAR AND SQUARE COLLARS

for BA13 ceilings

COLLAR SHAPE	ITEM	INTERIOR CUTOUT (MM)	EXTERNAL DIMENSIONS (MM)	CEILING CUTOUT (MM)
	EO 2245-1 LED	116 x 116	180 x 180	160 x 160
	EO 2245-2 LED	116 x 240	190 x 345	165 x 260
	EO 2243-2 LED	180 x 355	250 x 430	225 x 370
	EO 2245-3 LED	116 x 360	220 x 750	190 x 720
	EO 2243-3 LED	180 x 530	250 x 605	225 x 550

CASSETTES

for grid ceilings

CASSETTE SHAPE	ITEM	LENGTH (MM)	WIDTH (MM)	HEIGHT (MM)
	DL 2126 LED	288	288	39
	EO 2241-A LED	288	288	39
	EO 2241-B LED	213	213	39
		190	190	39
	EO 2242 LED	285	285	56
		243	243	69
	EO 2241-A LED	339	209	19
	EO 2241-B LED	187	286	39
	EO 2242 LED	283	250	49





TRATO
Lighting

22, rue Molière - BP369 - 59057 ROUBAIX Cedex 01 (Lille) FRANCE
Tél. : +33 (0) 320 81 50 00 - Fax : +33 (0) 320 81 50 19
Email : contact@trato.fr - Web : www.trato.fr