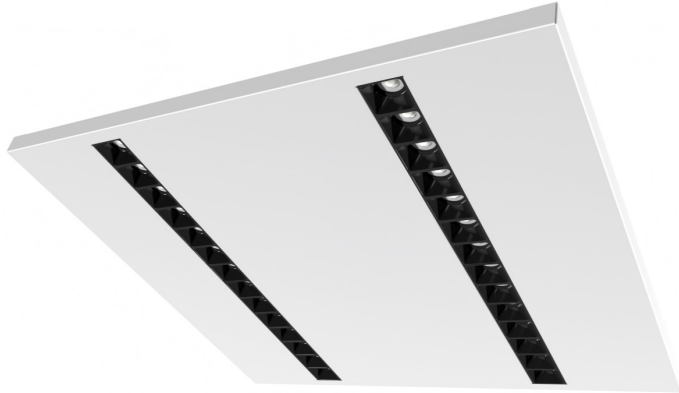


# LE 5226-A LED 600X600



### Colour(s)



## RECESSED LUMINAIRE ■ LED

- Recessed luminaire for LINEAR LED module, maximum 3 524 lumens
- CRI of 80
- MacAdam Ellipse : 3 SDCM
- Available in 4 000 K
- 50 000 hours lamp life (L80B10)
- Luminous efficiency of system up to 159,5 lm/W
- Each module is equipped with an optic system consisting of a lens and an individual reflector.
- Laying for the framework
- Housing made of painted steel
- Static heat sink
- Safety wire included
- Fast connector GST 18/3 included
- UGR < 16
- Block made up of interchangeable LEDs, allowing the frame to be preserved and the modules can be easily replaced to reduce waste and extend the life of the luminaire.
- **Driver(s)** : Fixed (Multi-power via DIP-switch), Dimmable DALI (CDIMMDALI)
- **Option(s)** : Ceiling light frame, Detection cell for brightness and/or presence (CEL)

### Driver(s)



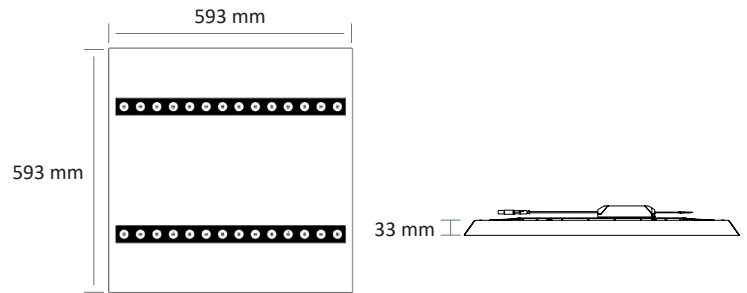
### Standards

Class II | IP 20 | 650° | RG1

### Beam(s)



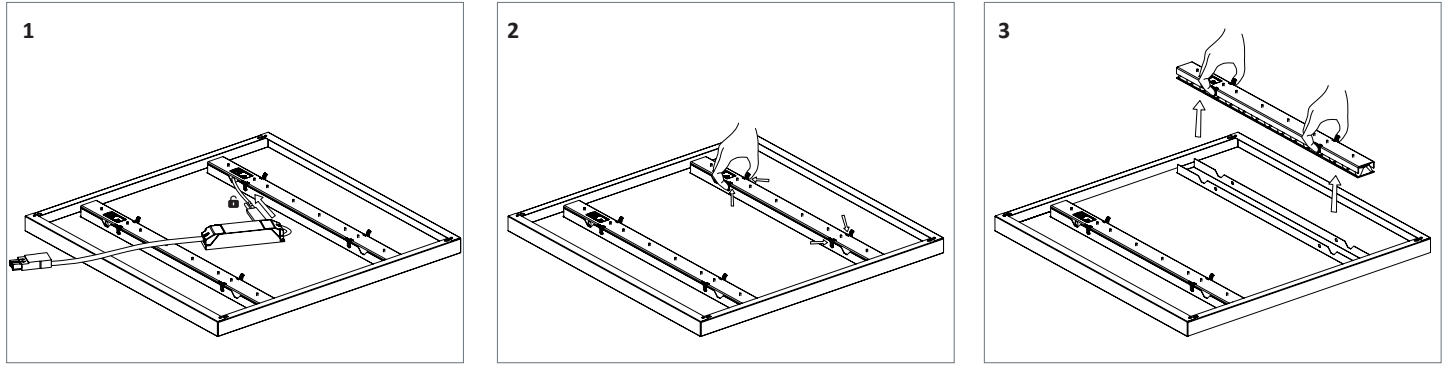
### Dimensions



ITEM	SUPPLY POWER	CONSUMPTION	LUMINOUS FLUX	SYSTEM EFFICIENCY	COLOUR TEMPERATURE	CRI	EFFICIENCY ENERGY CLASS
LE 5226-A LED 2500-840	350 mA	15,8 W	2520 lumens	159,5 lm/W	4 000 K	80	C
LE 5226-A LED 3500-840	500 mA	22,3 W	3524 lumens	158 lm/W	4 000 K	80	C

# LE 5226-A LED 600X600

## Relamping



## Option(s)

