

DL 5236 LED



Colour(s)



Ø95 mm



DOWNLIGHTS ■ LED

- Recessed downlight for LED SPOT module, maximum 3 930 lumens
- CRI of 90
- MacAdam Ellipse : 2 SDCM
- Available in 3 000 K, 3 500 K and 4 000 K
- 50 000 hours lamp life (L80B10)
- Luminous efficiency of system up to 152,5 lm/W
- Adjustable brackets for easier installation
- Cast aluminium ring
- Aluminum reflective optics
- **Weight** : Approx. 1 kg
- **Driver(s)** : Fixed, Dimmable DALI, Casambi, Connect
- **Option(s)** : Fast connector (CORD)
- Photobiological risk group 1

Driver(s)



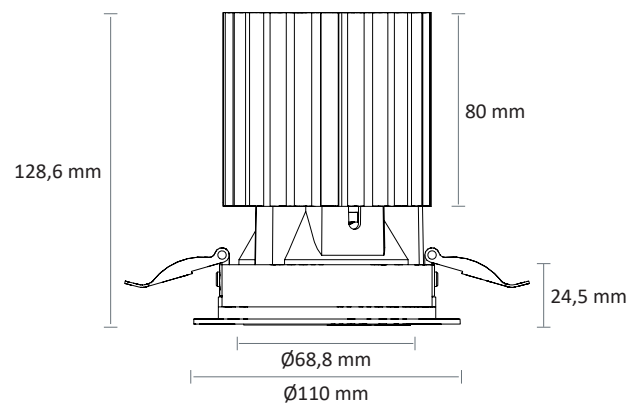
Standards

Class I | IP 20 | 650° | RG1

Beam(s)



Dimensions



ITEM	POWER	CONSUMPTION	LUMINOUS FLUX	SYSTEM EFFICIENCY	COLOUR TEMPERATURE	CRI	EFFICIENCY ENERGY CLASS
DL 5236 LED 3000-930	16,7 W	19,4 W	2956 lumens	152,2 lm/W	3000 K	90	E
DL 5236 LED 3000-935	16,7 W	19,4 W	2937 lumens	151,2 lm/W	3500 K	90	E
DL 5236 LED 3000-940	16,7 W	19,4 W	2961 lumens	152,5 lm/W	4000 K	90	E
DL 5236 LED 4000-930	24 W	27,9 W	3924 lumens	140,6 lm/W	3000 K	90	E
DL 5236 LED 4000-935	24 W	27,9 W	3899 lumens	139,7 lm/W	3000 K	90	E
DL 5236 LED 4000-940	24 W	27,9 W	3930 lumens	140,8 lm/W	4000 K	90	E